

NITEO BRITES

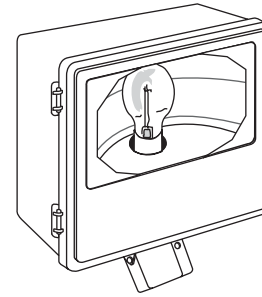
JOB NAME _____

TYPE _____

FLM-HP HIGH PERFORMANCE MEDIUM FLOODLIGHT

150-400 watt Metal Halide
150-400 watt High Pressure Sodium
150-400 watt Pulse Start Metal Halide

The FLM-HP High Performance floodlight family features two new hydroformed reflectors. The NHP provides a narrow distribution, while the MHP offers a medium distribution. Both reflector systems provide superior lighting for flagpoles, signage, building accents, and large landscape foliage.



Day-Brite® Lighting

ORDERING MATRIX

SAMPLE CATALOG NUMBER: FLM400MMT-ISF-NHP-LP

FLM				-		-		-		
FAMILY FLM		LAMP SOURCE M - Metal Halide S - High Pressure Sodium P - Pulse Start Metal Halide (Ballast option must also be specified)			MOUNTING BLANK - Yoke Mount ISF - Integral Slipfitter 2-3/8" Tenon ISF3 - Integral Slipfitter 3" Tenon				OPTIONS (add as suffix) CUL - UL Listing to meet CSA standards HR - Hot Restrike ²⁴ LP - Lamp with fixture PCR - Photo Control Receptacle ¹³ PSC - Pulse Start CWA Ballast PT3 - 3' Cord PT6 - 6' Cord Q - Quartz Standby QEM - Quartz Emergency ²⁰ QTD - Quartz Time Delay WDF - Wired Double Fuse ⁴⁵ WSF - Wired Single Fuse ⁴⁶	
	WATTAGE 150 - 150 175 - 175 ³³ 200 - 200 ³¹ 250 - 250 320 - 320 ³⁰ 350 - 350 ³⁰ 400 - 400		VOLTAGE 34 - 347 48 - 480 MT - 120/208 240/277 TT - 120/277 347				OPTICS BLANK - NEMA 6x6 NHP - Narrow High Performance Optics MHP - Medium High Performance Optics			

Footnotes:

- ¹Metal Halide only.
- ¹³Order twist lock photo control separately.
- ³⁰Pulse Start Metal Halide only.
- ³¹Not available in standard Metal Halide.
- ³³Not available in Pulse Start Metal Halide.
- ²⁴Available in 150W High Pressure Sodium only.
- ²⁰Requires 120 volt secondary power supply.
- ⁴⁵Use with 208, 240 and 480 volt.
- ⁴⁶Use with 120, 277 and 347 volt.

General Notes:

- All options factory installed.
- Mogul base lamp only.
- All accessories are field installed.

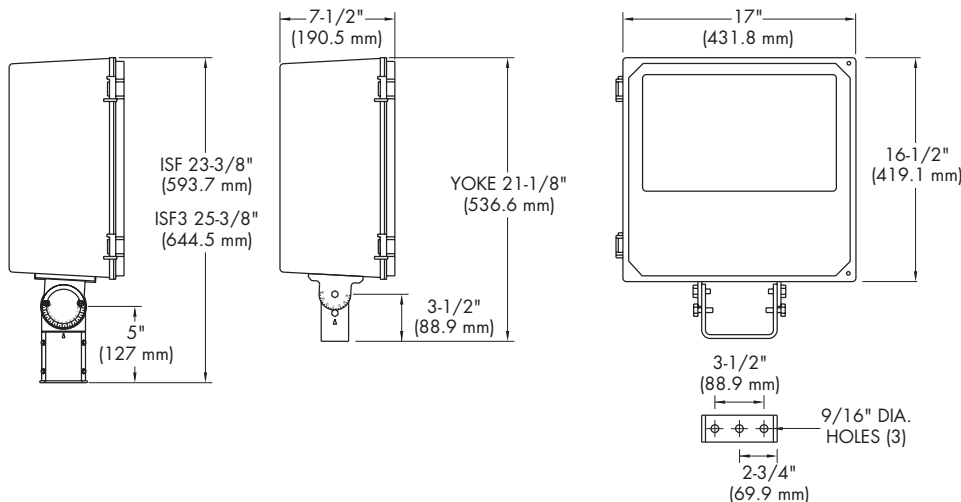
Warning: Refer to and follow the lamp manufacturer's warnings and instructions.

ACCESSORIES (order separately)

- CAB - Crossarm Bracket
- PSF - Post Top Slipfitter
- EPSF - Economy Post Top Slipfitter
- VSM - Vandal Shield
- PWB - Pipe/wall bracket
- PC-MT - Photo Control Twist lock, multi-volt
- PC-48 - Photo Control Twist lock 480 volt
- PCR-SC - PCR Shorting Cap
- VM - Top Visor
- GGM - Glare Guard
- FSF - Single Fuse Holder only
- DFD - Double Fuse Holder only
- WGM - Wire Guard
- FLM-NHP - Retrofit Kit-Narrow High Performance Reflector
- FLM-MHP - Retrofit Kit-Medium High Performance Reflector

(For additional descriptions of Floodlight accessories refer to sheet number OA-50010.)

DIMENSIONS



ENERGY DATA

HIGH PRESSURE SODIUM

CWA BALLAST INPUT WATTS

- 150 watt-190 watts
- 200 watt-240 watts
- 250 watt-295 watts
- 400 watt-464 watts

METAL HALIDE

CWA BALLAST INPUT WATTS

- 150 watt-189 watts
- 175 watt-210 watts
- 250 watt-285 watts
- 400 watt-485 watts

PULSE START METAL HALIDE

CWA BALLAST INPUT WATTS

- 150 watt-189 watts
- 200 watt-232 watts
- 250 watt-288 watts
- 320 watt-368 watts
- 350 watt-400 watts
- 400 watt-452 watts

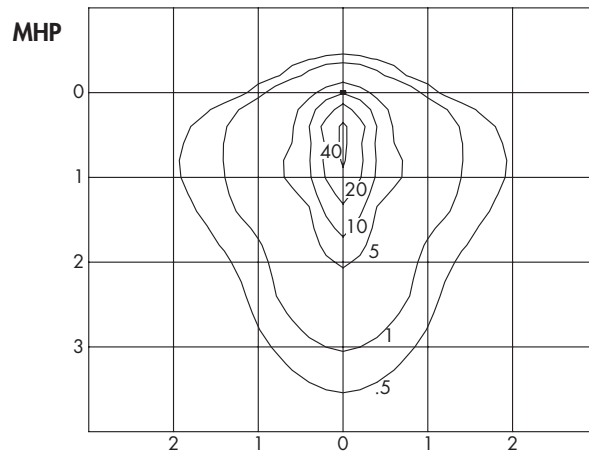
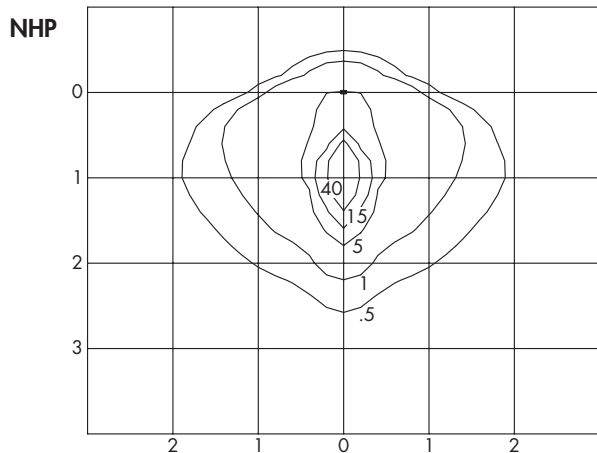
EPA = 1.90 sq. ft.

WEIGHT = 40 lbs. (max.)

FLM-HP HIGH PERFORMANCE MEDIUM FLOODLIGHT

FL-41021

PHOTOMETRICS



UNITS SHOWN IN TERMS OF MOUNTING HEIGHT
INITIAL FOOTCANDLES SHOWN

CATALOG NUMBER: FLM400M
LAMP: METAL HALIDE
WATTAGE: 400
LUMENS: 36,000
TILT ANGLE: 45°
MOUNTING HEIGHT: 25 FEET

LIGHT LEVEL MULTIPLYING FACTORS	
MOUNTING HEIGHT	MULTIPLIER
40'	0.39
35'	0.51
30'	0.69
25'	1.00
20'	1.56
15'	2.77

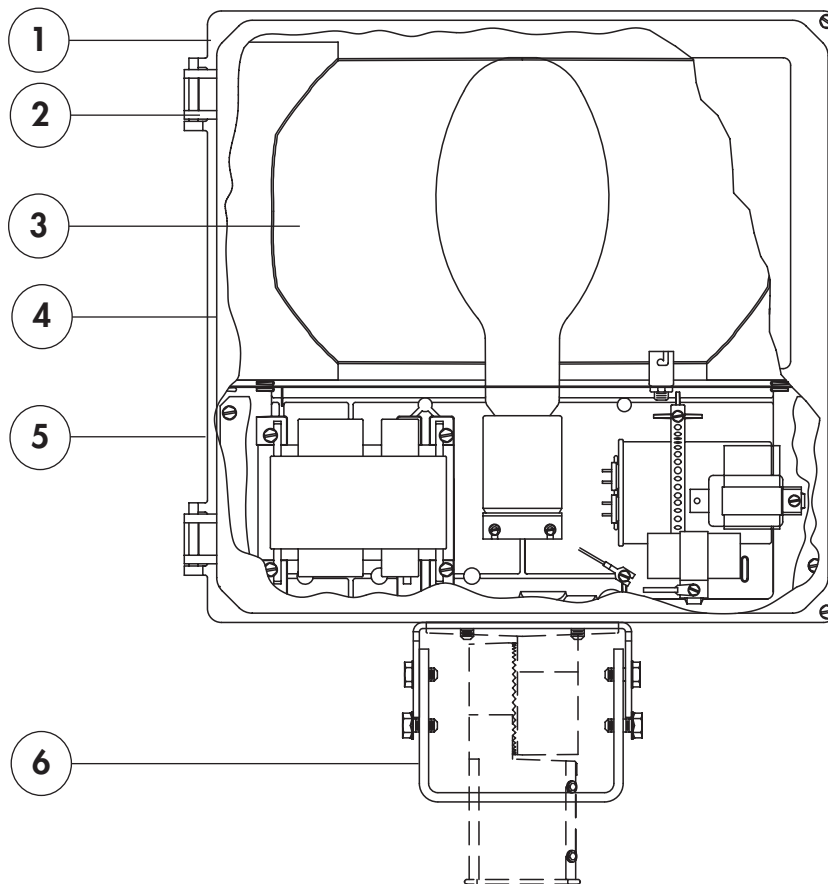
NEMA DISTRIBUTION TABLE

LAMP	REFLECTOR	NEMA CLASSIFICATION (H x V)	TEST NUMBER
400W MH	NHP	2 x 3	23243
400W HPS	NHP	3 x 4	23246
400W MH	MHP	5 x 5	23244
400W HPS	MHP	5 x 5	23245

PRODUCT FEATURES

UL 1598 Listed suitable for wet location and 25°C ambient for all lamp wattages listed.

1. Heavy duty die cast aluminum housing.
2. Die cast aluminum door frame has two captive stainless steel fasteners along with a shock and impact resistant tempered glass lens. The door can be removed from the die cast housing for easy maintenance.
3. New High Performance reflectors are hydroformed and available in a narrow and medium distribution (NEMA classification varies depending on lamp and wattage, refer to photometric chart for specific distributions).
4. Extruded silicone rubber gasket around door frame seals the optical and electrical compartments from contaminants.
5. Standard dark bronze polyester powder coat finish provides excellent resistance to corrosion.
6. Choice of mountings: Adjustable yoke mount (standard) or integral slipfitter mount (optional).



Visit our web site at www.daybritelighting.com

776 South Green Street Tupelo, MS 38804 Phone: 662-842-7212 Fax: 662-841-5501

FL-41021

189 Bullock Drive Markham, Ontario Canada L3P 1W4 Phone: 905-294-9570 Fax: 905-294-8911
Day-Brite Lighting reserves the right to make changes without notice. ©July 2003. DL2.5M0703
Day-Brite Lighting is a Genlyte Thomas Group.

 **Day-Brite® Lighting**