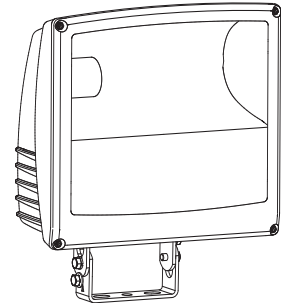


NITE BRITES

FSI-INTERMEDIATE FLOODLIGHT

150-400 watt Metal Halide
150-400 watt High Pressure Sodium
150-400 watt Pulse Start Metal Halide



Day-Brite® Lighting

JOB NAME _____

TYPE _____

The Intermediate Floodlight has a wide range of wattages and lamp types in a compact size. It is perfect for lighting signs, building facades, parking lots or for general security lighting.

ORDERING MATRIX

SAMPLE CATALOG NUMBER: FSI400MMT-ISF-PE

FSI				-		-		-	
FAMILY FSI		LAMP SOURCE M - Metal Halide S - High Pressure Sodium P - Pulse Start Metal Halide (Ballast option must also be specified)		MOUNTING BLANK - Yoke Mount ISF - Integral Slipfitter 2-3/8" Tenon				OPTICS BLANK - General Distribution (6x6) HSC - Horizontal Site Cutoff (7x6)	OPTIONS (add as suffix) CUL - UL Listed to meet CSA standards HR - Hot Restrike ³⁴ LP - Lamp with fixture PCR - Photo Control Receptacle ¹³ PSC - Pulse Start CWA PE - Photo Control (not available in 480v) PT3 - 3' Pre-wired Cord PT6 - 6' Pre-wired Cord
	WATTAGE 150 - 150 175 - 175 ³³ 200 - 200 ³¹ 250 - 250 320 - 320 ³⁰ 350 - 350 ³⁰ 400 - 400 ¹⁵		VOLTAGE 48 - 480 DT - 120/277 MT - 120/208/ 240/277 TT - 120/277/ 347 5T - 120/208/ 240/277/ 480 ⁹⁸						

ACCESSORIES (order separately)

- CAB - Crossarm Bracket
- PSF - Post Top Slipfitter
- EPSF - Economy Post Top Slipfitter
- VSFSI - Vandal Shield
- PWB - Pipe/wall bracket
- PC-MT - Photo Control Twist lock, multi-volt (must have PCR option)
- PC-48 - Photo Control Twist lock 480 volt (must have PCR option)
- PCR-SC - PCR Shorting Cap
- VFSI - Visor
- GGFSI - Glare Guard
- WGFSI - Wire Guard
- WLS-PEC12 - Photo Control 120 volt
- WLS-PEC27 - Photo Control 208-277 volt
- TP - Tamper Proof

(For additional descriptions of Floodlight accessories refer to sheet number OA-50010.)

Footnotes:

- ¹Metal Halide only.
- ¹³Order twist lock photo control separately.
- ¹⁵400 watt Metal Halide requires ED-28 size lamp.
- ³⁰Pulse Start Metal Halide only.
- ³¹Not available in standard Metal Halide.
- ³³Not available in Pulse Start Metal Halide.
- ³⁴Available in 150 High Pressure Sodium and below.
- ⁹⁸Available in 250, 400, or 1000 watt.

General Notes:

- Mogul base lamp only.
- All options are factory installed.
- All accessories are field installed.

Warning: Refer to and follow the lamp manufacturer's warnings and instructions.

ENERGY DATA

HIGH PRESSURE SODIUM

CWA BALLAST INPUT WATTS

- 150 watt-190 watts
- 200 watt-240 watts
- 250 watt-295 watts
- 400 watt-464 watts

METAL HALIDE

CWA BALLAST INPUT WATTS

- 150 watt-189 watts
- 175 watt-210 watts
- 250 watt-285 watts
- 400 watt-485 watts

PULSE START METAL HALIDE

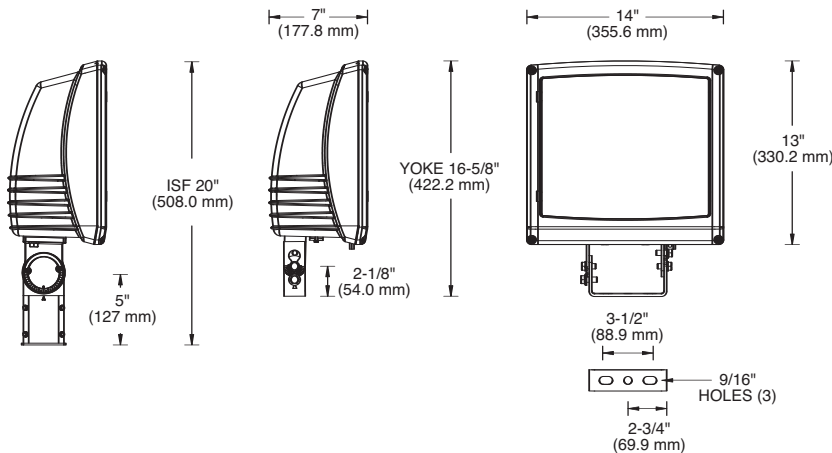
CWA BALLAST INPUT WATTS

- 150 watt-189 watts
- 200 watt-232 watts
- 250 watt-288 watts
- 320 watt-368 watts
- 350 watt-400 watts
- 400 watt-452 watts

EPA = 1.00 sq. ft.

WEIGHT = 33 lbs. (max.)

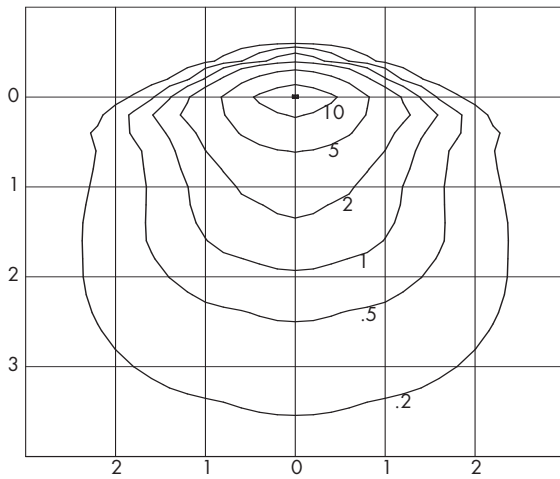
DIMENSIONS



FSI-INTERMEDIATE FLOODLIGHT

FL-41030.2

PHOTOMETRICS



UNITS SHOWN IN TERMS OF MOUNTING HEIGHT
INITIAL FOOTCANDLES SHOWN

CATALOG NUMBER: FSI400M
 TEST NUMBER: 26682
 LAMP: METAL HALIDE
 WATTAGE: 400
 LUMENS: 34,000
 TILT ANGLE: 45°
 MOUNTING HEIGHT: 25 FEET

LIGHT LEVEL MULTIPLYING FACTORS	
MOUNTING HEIGHT	MULTIPLIER
40'	0.39
35'	0.51
30'	0.69
25'	1.00
20'	1.56
15'	2.77

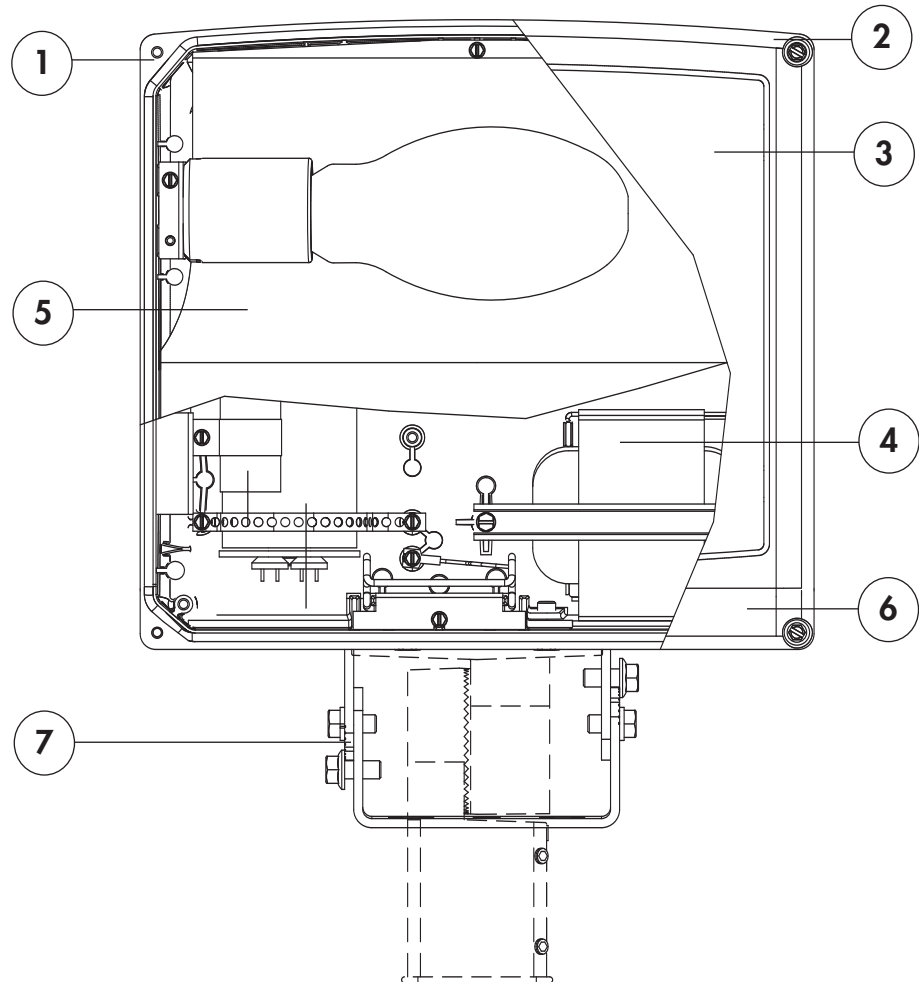
ADDITIONAL TEST NUMBERS

DESCRIPTION/CATALOG NUMBER	TEST NUMBER
FSI250M	26682P
FSI175M	26735
FSI400S	26739
FSI250S	26739P
FSI150S	26734
FSI400M-HSC	26899
FSI250M-HSC	26899P
FSI400S-HSC	26900
FSI250S-HSC	26900P

PRODUCT FEATURES

UL 1598 Listed suitable for wet location and 25°C ambient for all lamp wattages listed. IP65 rated (yoke mount only).

1. Sturdy one piece die cast aluminum housing with internal hinge.
2. One piece die cast aluminum door has stainless steel, captive door fasteners for easy maintenance.
3. Door has tempered glass lens which is thermal shock and impact resistant.
4. "Slant 2" heat-sinked ballast mounting geometry for cooler operation.
5. Reflector is one piece diffused anodized aluminum.
6. Dark bronze polyester powder finish for excellent impact, corrosion and UV resistance.
7. Choice of mountings: adjustable yoke mount (standard) or integral slipfitter mount (optional).



Visit our web site at www.daybritelighting.com

776 South Green Street Tupelo, MS 38804 Phone: 662-842-7212 Fax: 662-841-5501

FL-41030.2

189 Bullock Drive Markham, Ontario Canada L3P 1W4 Phone: 905-294-9570 Fax: 905-294-8911
 Day-Brite Lighting reserves the right to make changes without notice. ©August 2007. DB2M0807

 **Day-Brite® Lighting**
 a Genlyte company