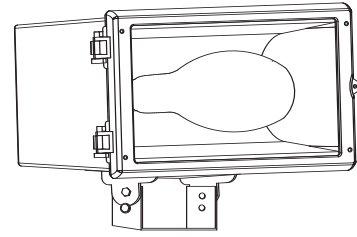


NITE BRITES

FLI-INTERMEDIATE FLOODLIGHT

150-400 watt Metal Halide
150-400 watt High Pressure Sodium
150-400 watt Pulse Start Metal Halide



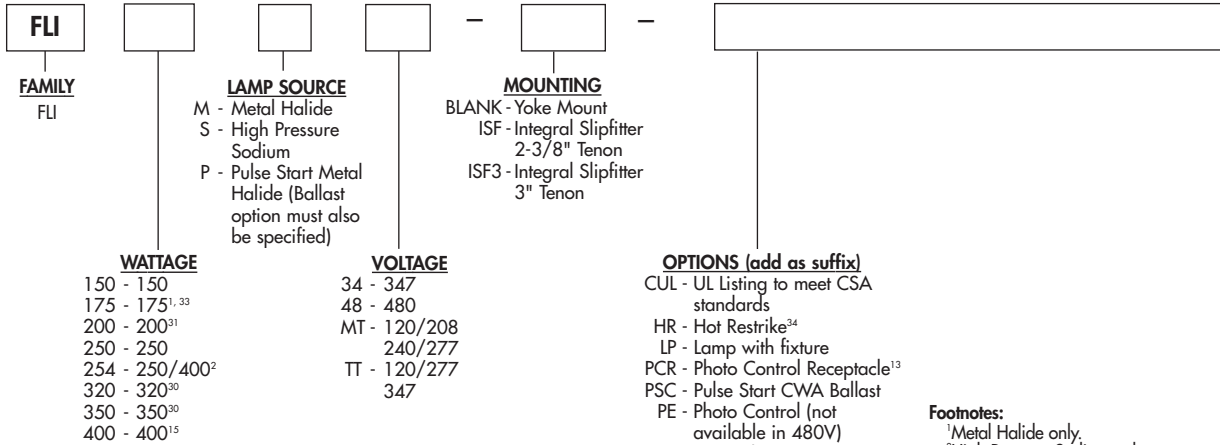
JOB NAME _____

TYPE _____

The Intermediate Floodlight has a wide range of wattages and lamp types in a compact size. It is perfect for lighting signs, building facades, parking lots or for general security lighting.

ORDERING MATRIX

SAMPLE CATALOG NUMBER: FLI400MMT-ISF-PE



ACCESSORIES (order separately)

- CAB - Crossarm Bracket
 - PSF - Post Top Slipfitter
 - EPSF - Economy Post Top Slipfitter
 - VSI - Vandal Shield
 - PWB - Pipe/wall bracket
 - PC-MT - Photo Control Twist lock, multi-volt
 - PC-48 - Photo Control Twist lock 480 volt
 - PCR-SC - PCR Shorting Cap
 - V1500 - Visor
 - GGI - Glare Guard
 - WG1500 - Wire Guard
 - WLS-PEC12 - Photo Control 120 volt
 - WLS-PEC27 - Photo Control 208-277 volt
 - TP - Tamper Proof
- (For additional descriptions of Floodlight accessories refer to sheet number OA-50010.)

Footnotes:

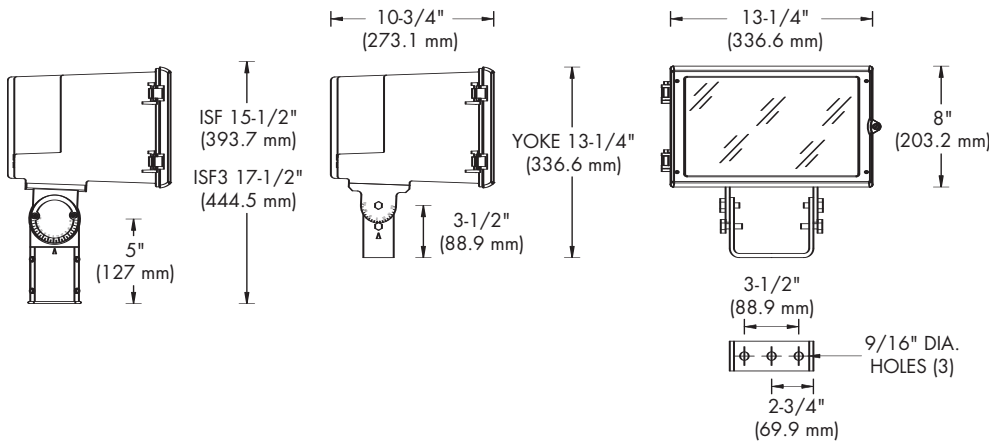
- ¹Metal Halide only.
- ²High Pressure Sodium only.
- ¹³Order twist lock photo control separately.
- ¹⁵Requires ED-28 size lamp.
- ³⁰Pulse Start Metal Halide only.
- ³¹Not available in standard Metal Halide.
- ³³Not available in Pulse Start Metal Halide.
- ³⁴Available in 150W High Pressure Sodium only.
- ⁴⁰Requires 120 volt secondary power supply.

General Notes:

- All options factory installed.
- Mogul base lamp only.
- All accessories are field installed.

Warning: Refer to and follow the lamp manufacturer's warnings and instructions.

DIMENSIONS



ENERGY DATA

HIGH PRESSURE SODIUM

CWA BALLAST INPUT WATTS

- 150 watt-190 watts
- 200 watt-240 watts
- 250 watt-295 watts
- 400 watt-464 watts

METAL HALIDE

CWA BALLAST INPUT WATTS

- 150 watt-189 watts
- 175 watt-210 watts
- 250 watt-285 watts
- 400 watt-485 watts

PULSE START METAL HALIDE

CWA BALLAST INPUT WATTS

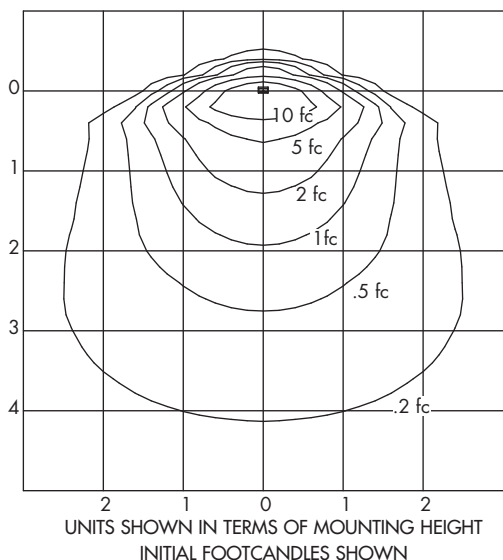
- 150 watt-189 watts
- 200 watt-232 watts
- 250 watt-288 watts
- 320 watt-368 watts
- 350 watt-400 watts
- 400 watt-452 watts

EPA = .90 sq. ft.

WEIGHT = 33 lbs. (max.)

FL-41035

PHOTOMETRICS



CATALOG NUMBER: FLI400M
 TEST NUMBER: 24327
 LAMP: METAL HALIDE
 WATTAGE: 400
 LUMENS: 34,000
 TILT ANGLE: 45°
 MOUNTING HEIGHT: 25 FEET

LIGHT LEVEL MULTIPLYING FACTORS	
MOUNTING HEIGHT	MULTIPLIER
40'	0.39
35'	0.51
30'	0.69
25'	1.00
20'	1.56
15'	2.77

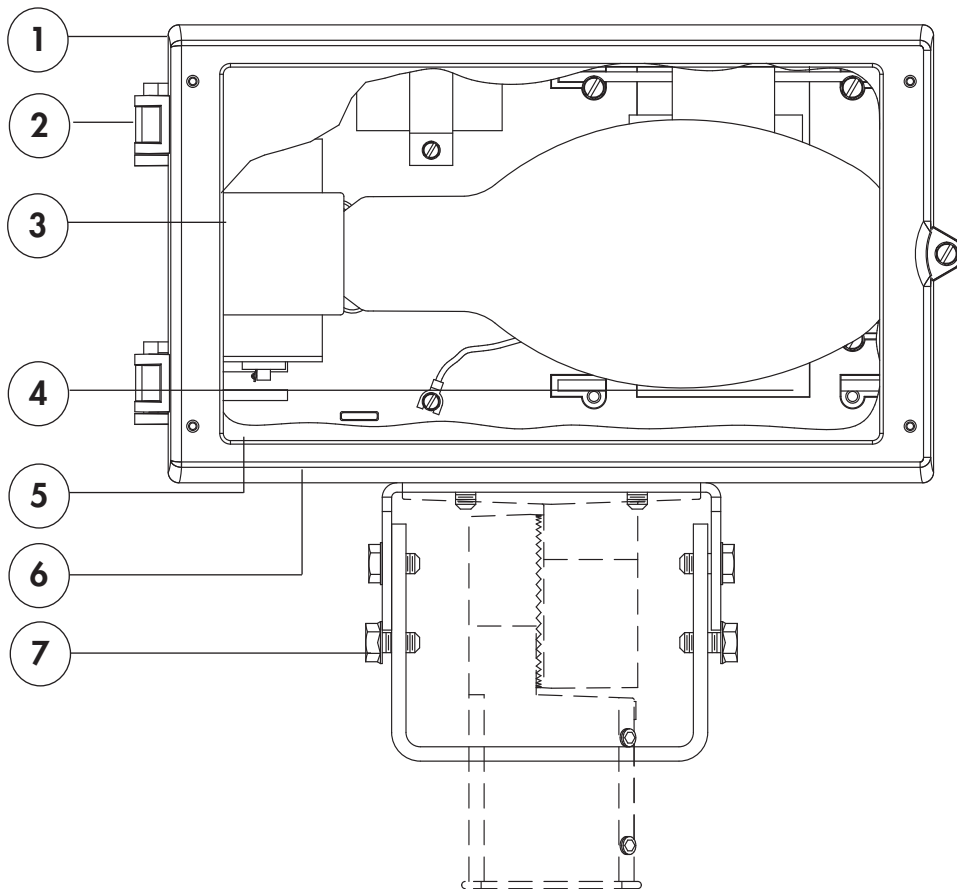
ADDITIONAL TEST NUMBERS

DESCRIPTION/CATALOG NUMBER	TEST NUMBER
FLI400S	24336
FLI250S	24336P
FLI200S	243362
FLI150S	24334
FLI250M	24327P
FLI175M	243272
FLI150M	243273

PRODUCT FEATURES

UL 1598 Listed suitable for wet location and 25°C ambient for all lamp wattages listed.

1. Die cast aluminum housing is silicone gasketed for long life.
2. Side hinged, single fastener door means simple installation and maintenance. Door is one piece die cast aluminum.
3. Glass lens is tempered for strength.
4. "Slant 2" heat-sinked ballast mounting geometry for cooler operation.
5. Reflector is one piece diffused anodized aluminum.
6. Dark bronze polyester powder finish for excellent impact, corrosion and UV resistance.
7. Choice of mountings: adjustable yoke mount (standard) or integral slipfitter mount (optional).



Visit our web site at www.daybritelighting.com

776 South Green Street Tupelo, MS 38804 Phone: 662-842-7212 Fax: 662-841-5501

FL-41035

189 Bullock Drive Markham, Ontario Canada L3P 1W4 Phone: 905-294-9570 Fax: 905-294-8911
 Day-Brite Lighting reserves the right to make changes without notice. ©August 2007. DB2M0807

 **Day-Brite® Lighting**
 a Genlyte company