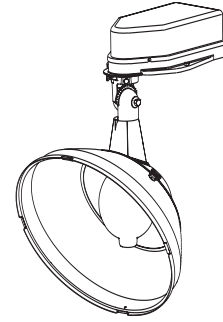


NITE BRITES

PRO-MAX 2 SPORTS FLOODLIGHT

1000-1500 watt Metal Halide
1000 watt High Pressure Sodium



JOB NAME _____
TYPE _____

The PM2 features a uniquely designed lamp and reflector system that maximizes lamp performance for lighting sporting fields from recreational to professional levels.

ORDERING MATRIX

SAMPLE HOUSING CATALOG NUMBER: PM215XMMT SAMPLE REFLECTOR CATALOG NUMBER: PM2-N4

HOUSING				REFLECTOR					
FAMILY PM2 PMR (Remote Ballast by others)	LAMP SOURCE M - Metal Halide S - High Pressure Sodium	WATTAGE 10X - 1000 15X - 1500 ¹	VOLTAGE 12 - 120 20 - 208 24 - 240 27 - 277 34 - 347 48 - 480 MT - 120/208 240/277	OPTIONS CUL - UL Listing to meet CSA standards PT3 - 3 ft. 14/3 SO Cord Set PT6 - 6 ft. 14/3 SO Cord Set WDF - Wired Double Fuse ⁴⁵ WSF - Wired Single Fuse ⁴⁶	UPPER REFLECTOR BLANK - Type 3, 4, or 5 N6 - Type 6	REFLECTOR TYPE PM2	REFLECTOR OPTIONS 3LV - Internal Louver-Type 3 4LV - Internal Louver-Type 4 5LV - Internal Louver-Type 5 6LV - Internal Louver-Type 6	FINISH BLANK - Dark Bronze GY - Gray BK - Black	BEAM SPREAD N3-3HX3V N4-4HX4V N5-5HX5V N6-6HX6V

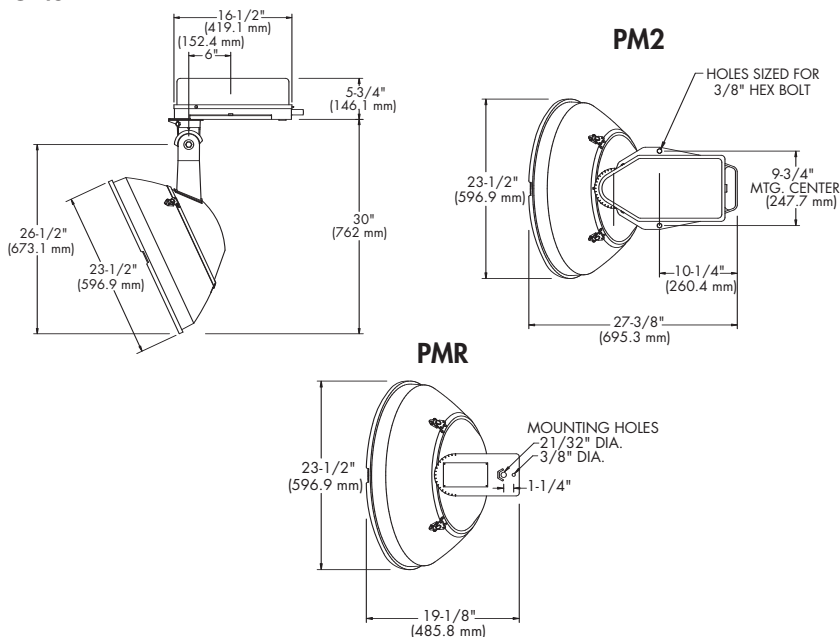
ACCESSORIES (order separately)
PM2PSF - Post Top Slipfitter for Pro-Max 2

Footnotes:
¹Metal Halide only.
⁴⁵Use with 208, 240, and 480 volt.
⁴⁶Use with 120, 277, and 347 volt.

General Notes:
All options factory installed.
Mogul base lamp only.
All accessories are field installed.

Warning: Refer to and follow lamp manufacturer's warnings and instructions.

DIMENSIONS



ENERGY DATA

HIGH PRESSURE SODIUM
CWA BALLAST INPUT WATTS
1000 watt-1100 watts
METAL HALIDE
CWA BALLAST INPUT WATTS
1000 watt-1080 watts
1500 watt-1605 watts

EPA = 3.2 sq. ft.
WEIGHT = 70 lbs. (max.)

FL-41080

PHOTOMETRICS

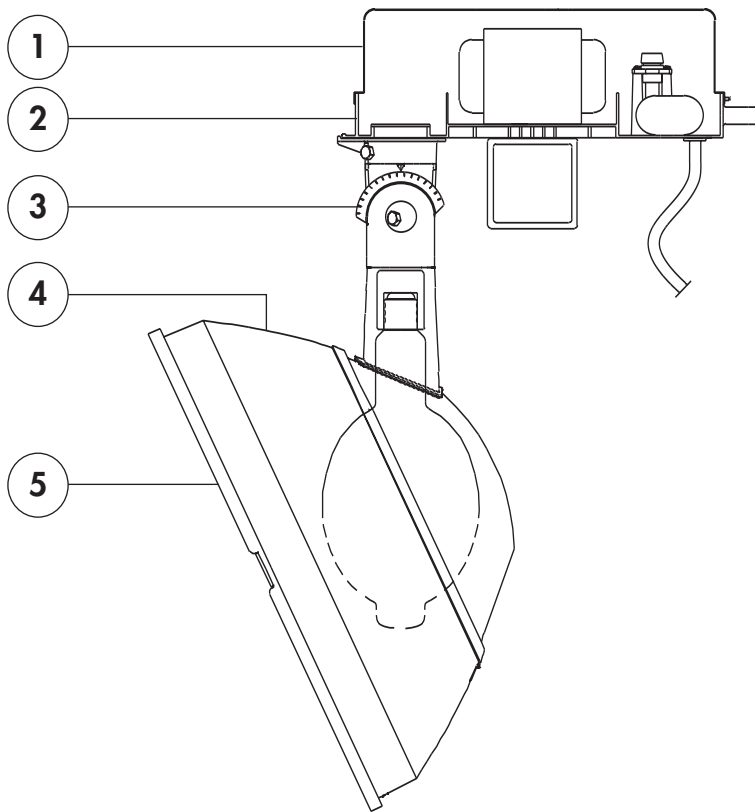
TEST NUMBERS

DESCRIPTION/CATALOG NUMBER	TEST NUMBER
PM210XM PM2-N3	PM210M3
PM210XM PM2-N4	PM210M4
PM210XM PM2-N5	PM210M5
PM210XM-N6 PM2-N6	PM210M6
PM210XM PM2-N3-3LV	PM210M3L
PM210XM PM2-N4-4LV	PM210M4L
PM210XM PM2-N5-5LV	PM210M5L
PM210XM-N6 PM2-N6-6LV	PM210M6L
PM215XM PM2-N3	PM215M3
PM215XM PM2-N4	PM215M4
PM215XM PM2-N5	PM215M5
PM215XM-N6 PM2-N6	PM215M6
PM215XM PM2-N3-3LV	PM215M3L
PM215XM PM2-N4-4LV	PM215M4L
PM215XM PM2-N5-5LV	PM215M5L
PM215XM-N6 PM2-N6-6LV	PM215M6L

PRODUCT FEATURES

UL 1598 Listed suitable for wet location and 25°C ambient for all lamp wattages listed.

1. Heavy duty die cast and formed aluminum housing allows easy access to ballast compartment.
2. Polyester powder finish is corrosion and UV resistant.
3. Built-in aiming protractor and aiming stop allow easy field setup and adjustment.
4. Rugged reflector constructed of heavy gauge, precision spun, anodized aluminum. Available in NEMA type 3, 4, 5, and 6 beam patterns.
5. Tempered glass lens is thermal, shock, and impact resistant.



Visit our web site at www.daybritelighting.com

776 South Green Street Tupelo, MS 38804 Phone: 662-842-7212 Fax: 662-841-5501

FL-41080

189 Bullock Drive Markham, Ontario Canada L3P 1W4 Phone: 905-294-9570 Fax: 905-294-8911
Day-Brite Lighting reserves the right to make changes without notice. ©December 2004. DL1M1204
Day-Brite Lighting is a Genlyte Thomas Group.

 **Day-Brite Lighting**