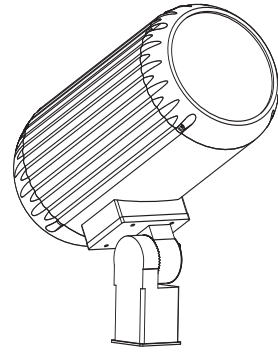


# NITEO BRITES

## FLP LARGE ROUND FLOODLIGHT

150-400 watt Metal Halide  
500 and 1000 watt Incandescent



Day-Brite® Lighting

JOB NAME \_\_\_\_\_

TYPE \_\_\_\_\_

The Large Round Floodlight is a departure from the standard floodlight "box". It may be used for large facade lighting, wall grazing, column illumination, or large landscape lighting.

### ORDERING MATRIX

SAMPLE CATALOG NUMBER: FLP400MMT-ISF-MFLP

FLP				-		-		-	
<b>FAMILY</b> FLP		<b>LAMP SOURCE</b> M - Metal Halide I - Incandescent			<b>MOUNTING</b> ISF - Integral Slipfitter 2-3/8" Tenon ISF3 - Integral Slipfitter 3" Tenon		<b>PAINT COLORS</b> BLANK - Dark Bronze Textured WT - White Textured BK - Black Textured NP - Natural Aluminum Textured GY - Gray Textured		
	<b>WATTAGE</b> 150 - 150 175 - 175 250 - 250 400 - 400 <sup>15</sup> 500 - 500 <sup>96</sup> 10X - 1000 <sup>96</sup>		<b>VOLTAGE</b> 12 - 120 20 - 208 24 - 240 27 - 277 48 - 480 MT - 120/208 240/277 TT - 120/277 347		<b>OPTICS</b> NSLP - Narrow Spot NFLP - Narrow Flood MFLP - Medium Flood <sup>97</sup> WFLP - Wide Flood				<b>OPTIONS (add as suffix)</b> CUL - UL Listing to meet CSA standards WDF - Wired Double Fuse <sup>45</sup> WSF - Wired Single Fuse <sup>46</sup>

**Footnotes:**

- <sup>15</sup>Requires ED-28 size lamp.
- <sup>45</sup>Use with 208, 240 and 480 volt.
- <sup>46</sup>Use with 120, 277 and 347 volt.
- <sup>96</sup>Incandescent only.
- <sup>97</sup>Not available in incandescent.

**ACCESSORIES (order separately)**

- FSF - Single Fuse Holder Only
- FDF - Double Fuse Holder Only
- GGFLP - Glare Guard
- WGFLP - Wire Guard
- SM-18 - Ground Stanchion Mount (2-3/8")

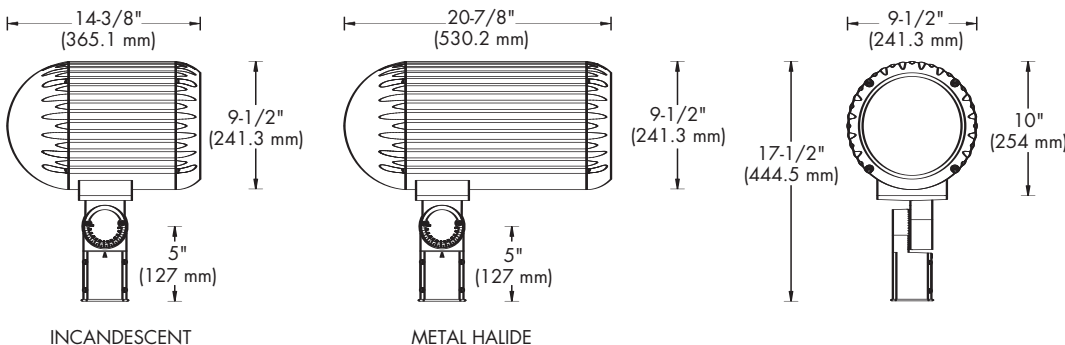
**General Notes:**

- All options factory installed.
- All accessories are field installed.
- Mogul base lamp only for metal halide.

(For additional descriptions of Floodlight accessories refer to sheet number OA-50010.)

**Warning:** Refer to and follow the lamp manufacturer's warnings and instructions.

### DIMENSIONS



### ENERGY DATA

**METAL HALIDE**

CWA BALLAST INPUT WATTS

- 150 watt-189 watts
- 175 watt-210 watts
- 250 watt-285 watts
- 400 watt-485 watts

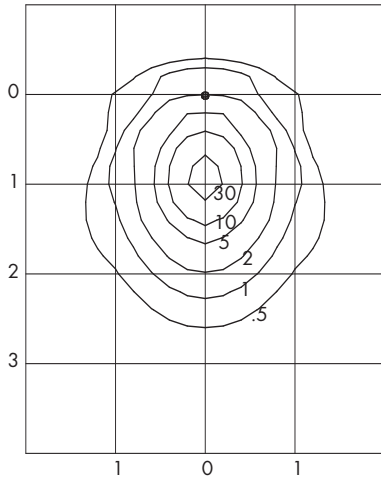
EPA = 1.80 sq. ft.

WEIGHT = 40 lbs. (max.)

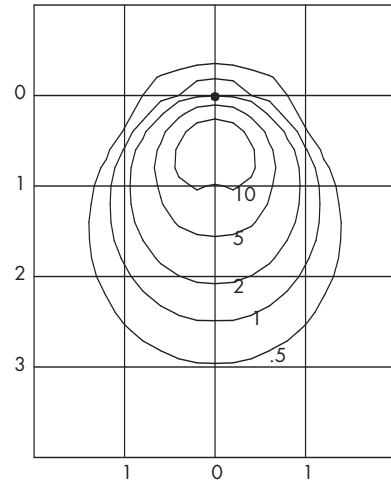
FLP LARGE ROUND FLOODLIGHT

## PHOTOMETRICS

**NFLP**



**WFLP**



UNITS SHOWN IN TERMS OF  
MOUNTING HEIGHT  
INITIAL FOOTCANDLES SHOWN

CATALOG NUMBER: FLP400M  
LAMP: METAL HALIDE  
WATTAGE: 400  
LUMENS: 36,000  
TILT ANGLE: 45°  
MOUNTING HEIGHT: 25 FEET

LIGHT LEVEL MULTIPLYING FACTORS	
MOUNTING HEIGHT	MULTIPLIER
40'	0.39
35'	0.51
30'	0.69
25'	1.00
20'	1.56
15'	2.77

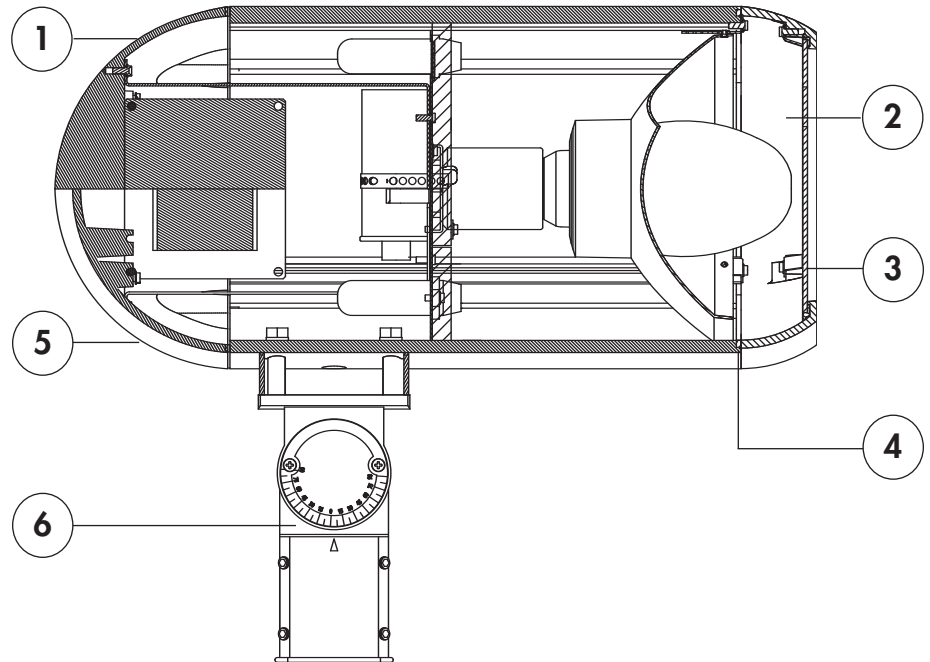
### ADDITIONAL TEST NUMBERS

DESCRIPTION/CATALOG NUMBER	TEST NUMBER
FLP400M-NSLP	26626
FLP400M-NFLP	26622
FLP400M-MFLP	26674
FLP400M-WFLP	26618
FLP500I-NSLP	24769
FLP500I-MFLP	24770
FLP500I-WFLP	24771
FLP10XI-NSLP	24774
FLP10XI-MFLP	24772
FLP10XI-WFLP	24773

## PRODUCT FEATURES

UL 1598 Listed suitable for wet location and 25°C ambient for all lamp wattages listed.

1. Heavy duty extruded and cast aluminum housing.
2. Precision spun aluminum reflector.
3. Clear tempered glass lens.
4. Silicone gasket seals out contaminants and moisture.
5. Polyester powder coat finish provides excellent corrosion resistance.
6. 2-3/8" integral slipfitter mounting.



Visit our web site at [www.daybritelighting.com](http://www.daybritelighting.com)

776 South Green Street Tupelo, MS 38804 Phone: 662-842-7212 Fax: 662-841-5501

**FL-41090.1** 189 Bullock Drive Markham, Ontario Canada L3P 1W4 Phone: 905-294-9570 Fax: 905-294-8911  
Day-Brite Lighting reserves the right to make changes without notice. ©April 2007. DL0307

Day-Brite Lighting is a Genlyte Company.

 **Day-Brite® Lighting**