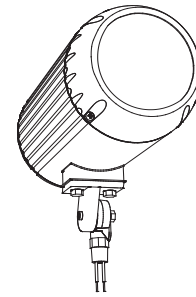


NITE BRITES

FLR-PAR LAMP FLOODLIGHT

35-150 watt Metal Halide
35-150 watt Incandescent



Day-Brite® Lighting

JOB NAME _____

TYPE _____

The FLR Floodlight provides precise beam patterns for facade lighting, wall grazing, column illumination, signage, or landscape lighting.

ORDERING MATRIX

SAMPLE CATALOG NUMBER: FLR070MMT-30L

FLR				-		-		-	
FAMILY FLR		LAMP SOURCE M - Metal Halide I - Incandescent			LAMP SIZE 30L - PAR-30L 38 - PAR-38 111SP - CDM-R111 Spot (35/39W only - lamp included) 111NF - CDM-R111 Narrow Flood (35/39W only - lamp included) 111FL - CDM-R111 Flood (35/39W only - lamp included)				OPTIONS (add as suffix) CUL - UL Listing to meet CSA standards WDF - Wired Double Fuse ⁴⁵ WSF - Wired Single Fuse ⁴⁶ WEB - Electronic Ballast ⁵⁰ (Must use with CDM-R111 lamp)
	WATTAGE 035 - 35/39 ⁵⁰ 070 - 70 ⁵⁰ 100 - 100 150 - 150		VOLTAGE 12 - 120 20 - 208 24 - 240 27 - 277 48 - 480 MT - 120/208 240/277 TT - 120/277 347				PAINT COLORS BLANK - Dark Bronze Textured WT - White Textured BK - Black Textured NP - Natural Aluminum Textured GY - Gray Textured		

Footnotes:

⁴⁵Use with 208, 240 and 480 volt.
⁴⁶Use with 120, 277 and 347 volt.
⁵⁰Not available in 480 volt.

General Notes:

All options factory installed.
All accessories are field installed.
Lamp not included except where noted.

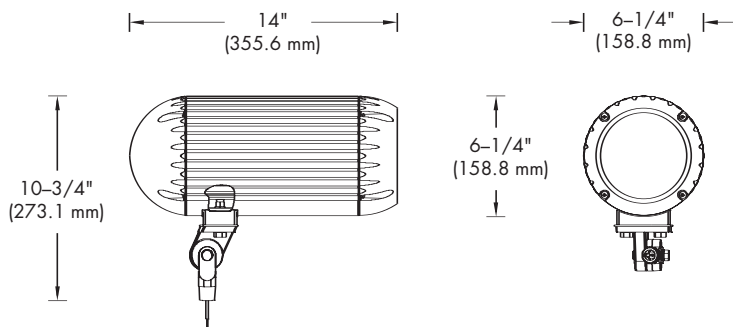
Warning: Refer to and follow the lamp manufacturer's warnings and instructions.

ACCESSORIES (order separately)

FSF - Single Fuse Holder Only
FDF - Double Fuse Holder Only
GGFLR - Glare Guard
WGFLR - Wire Guard
VFLR - Visor

(For additional descriptions of Floodlight accessories refer to sheet number OA-50010.)

DIMENSIONS



ENERGY DATA

METAL HALIDE

HX-HPF BALLAST INPUT WATTS

35 watt-56 watts
70 watt-90 watts
100 watt-129 watts
150 watt-185 watts

EPA = .80 sq. ft.

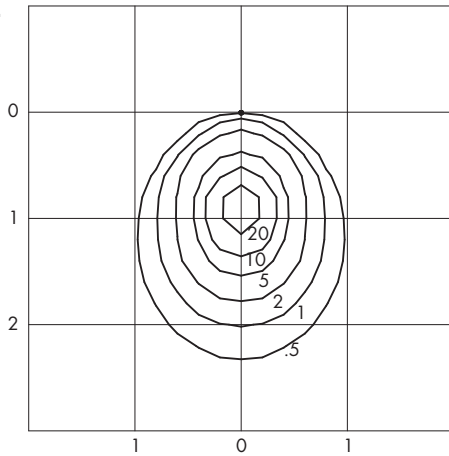
WEIGHT = 24 lbs. (max.)

FLR-PAR LAMP FLOODLIGHT

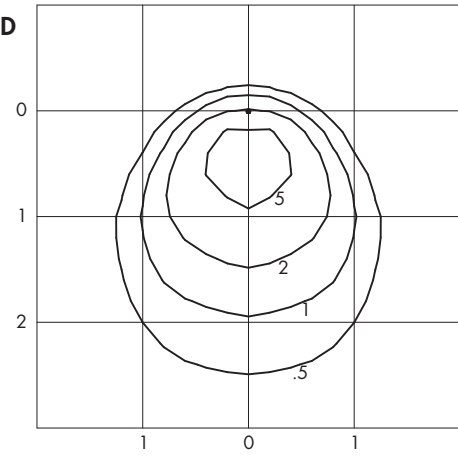
FL-41100

PHOTOMETRICS

SPOT



WIDE FLOOD



UNITS SHOWN IN TERMS OF MOUNTING HEIGHT
INITIAL FOOTCANDLES SHOWN

CATALOG NUMBER: FLR150M
LAMP: METAL HALIDE
WATTAGE: 150
LUMENS: 8,800
TILT ANGLE: 45°
MOUNTING HEIGHT: 20 FEET

LIGHT LEVEL MULTIPLYING FACTORS	
MOUNTING HEIGHT	MULTIPLIER
25'	0.64
20'	1.00
15'	1.78
10'	4.00
8'	6.25

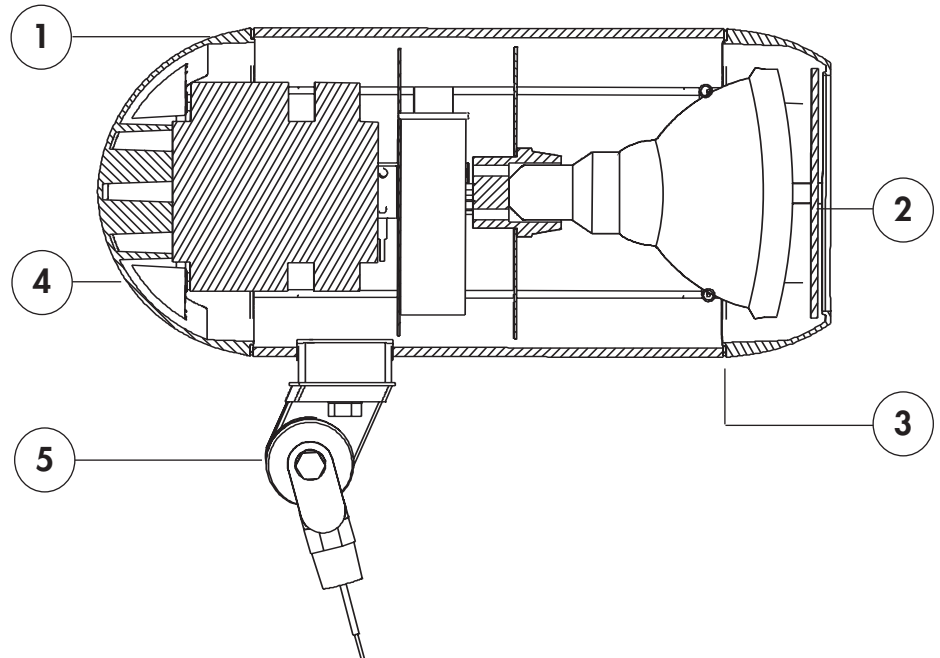
ADDITIONAL TEST NUMBERS

DESCRIPTION/CATALOG NUMBER	TEST NUMBER
150WMH PAR-38 SPOT	25646
150WMH PAR-38 FLOOD	25653
150WMH PAR-38 WIDE FLOOD	25645
70WMH PAR-30L SPOT	25648
70WMH PAR-30L FLOOD	25647
35WMH PAR-30L SPOT	25650
35WMH PAR-30L FLOOD	25649

PRODUCT FEATURES

UL 1598 Listed suitable for wet location and 25°C ambient for all lamp wattages listed.

1. Heavy duty extruded and die cast aluminum housing.
2. Clear tempered glass lens.
3. Silicone gasket seals out contaminants and moisture.
4. Polyester powder coat finish provides excellent corrosion resistance.
5. 1/2" NPT die cast aluminum arm mount.



Visit our web site at www.daybritelighting.com

776 South Green Street Tupelo, MS 38804 Phone: 662-842-7212 Fax: 662-841-5501

FL-41100

189 Bullock Drive Markham, Ontario Canada L3P 1W4 Phone: 905-294-9570 Fax: 905-294-8911
Day-Brite Lighting reserves the right to make changes without notice. ©September 2005. DL.5M0905
Day-Brite Lighting is a Genlyte Company.

Day-Brite® Lighting
a Genlyte company