



Specifier's Reference

Project
Type
Model No.
Comments

description

- For new construction in a 60 minute fire rated L500 floor/ceiling design.

features

- Furnished with pre-installed adjustable BH1 bar hangers.
- 120 volt low voltage electronic transformer housing.
- 50 Watt low voltage MR16 maximum.
- c/UL Listed for damp locations and through branch circuit wiring.
- Non-IC Rated.
- AirSeal rated to ASTM E283.

construction

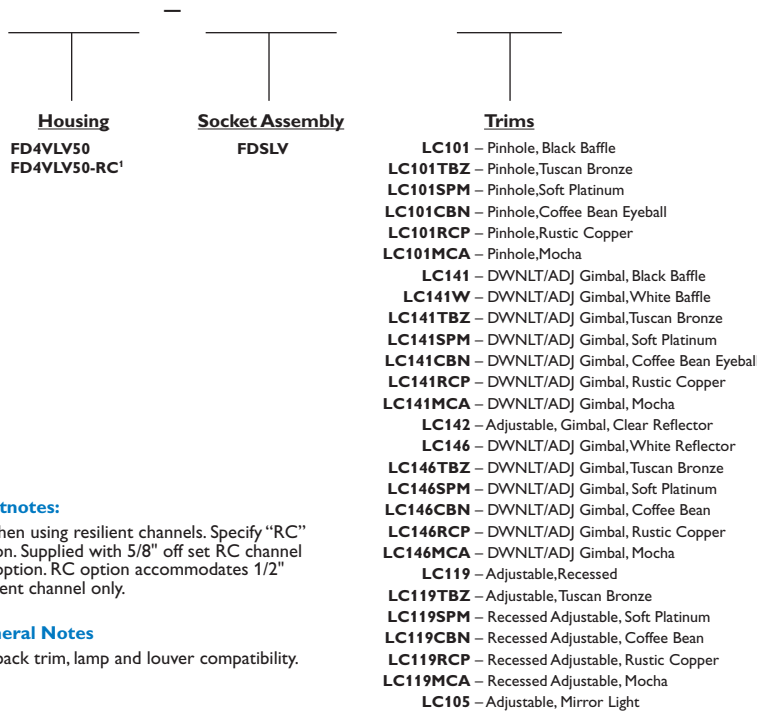
- Housing: Die formed 20 gauge steel construction. Housing interior is protected with blanket form alkaline earth silicate based fibrous membrane which may be removed for maintenance ease. End panel above junction box door is removable by two screws for ease of maintenance.
- Socket Assembly: Socket assembly (ordered separately) is attached to housing electrical by a simple polarized electrical connector. Assembly may be removed for ease of maintenance. Socket is mounted with snap-in-clips which fasten socket securely to trim for consistent lamp position.
- Bar Hangers: Pre-installed BH1 Sur-Lok bar hangers telescope from 16" to 24" with breakaway tabs for reduced joist spacing requirements. Inner locking design of roll form solid stamped steel bar hanger insures smooth operation. Bar hangers are supplied with pre-installed heavy duty fluted nails.
- Junction Box: Extra Large 32 cubic inch, 16 gauge galvanized steel with two snap-on covers and grounding pigtail. Supplied with four Romex pry-outs and knock outs for 1/2" and 3/4" conduit. Meets all safety requirements of UL and N.E.C.

- Thermal Protection: Standard thermal protection device inside of housing automatically takes luminaire out of service if temperature becomes excessive for overlamping or using the incorrect lamp/trim combination.
- c/UL Listed: For damp locations and through-branch wiring, 3 in/3 out. Luminaire is classified Fire Resistance (CDHW) for L500 Floor/Ceiling Designs.
- AirSeal™: Fixture is AirSeal rated preventing the passage of no more than two cubic feet of air (2.0 cfm) per minute through the housing. AirSeal™ performance tested to ASTM E283.

accessories (order separately)

- Oversize Trim Ring OV4
- Color Filters CF0-CF12

Green Choice: FD4VLV50-FDSLVC141



- LC105TBZ – Adjustable, Mirror Light, Tuscan Bronze
- LC105SPM – Adjustable, Mirror Light, Soft Platinum
- LC105CBN – Adjustable, Mirror Light, Coffee Bean Eyeball
- LC105RCP – Adjustable, Mirror Light, Rustic Copper
- LC105MCA – Adjustable, Mirror Light, Mocha
- LC108 – Adjustable, Eyeball, Black Baffle
- LC108TBZ – Adjustable, Eyeball, Tuscan Bronze
- LC108SPM – Adjustable, Eyeball, Soft Platinum
- LC108CBN – Adjustable, Eyeball, Coffee Bean
- LC108RCP – Adjustable, Eyeball, Rustic Copper
- LC108MCA – Adjustable, Eyeball, Mocha

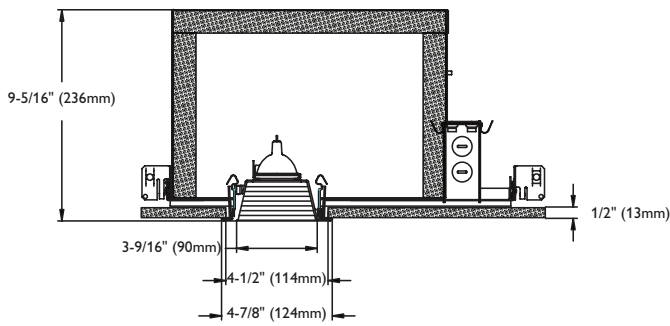
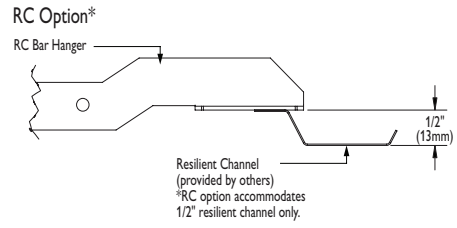
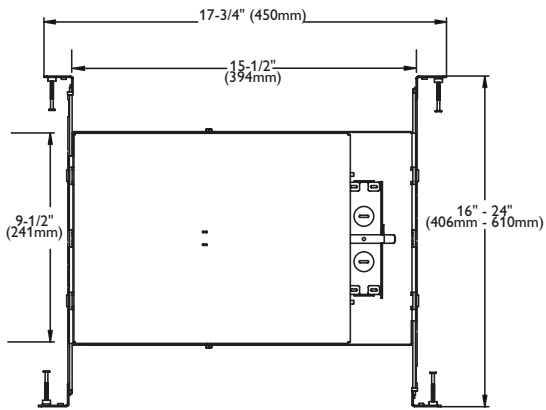
Footnotes:

1. When using resilient channels. Specify "RC" option. Supplied with 5/8" off set RC channel bar option. RC option accommodates 1/2" resilient channel only.

General Notes

See back trim, lamp and louver compatibility.

dimensions



trims



LC101
1-3/4" Pinhole,
Black baffle
LC101TBZ
1-3/4" Pinhole,
Tuscan Bronze
LC101CBN
1-3/4" Pinhole,
Coffee Bean

LC101SPM
1-3/4" Pinhole,
Soft Platinum
LC101RCP
1-3/4" Pinhole,
Rustic Copper
LC101MCA
1-3/4" Pinhole,
Mocha

4-3/4" O.D. (121 mm)

Lamp	Non-IC
MR16	50W



LC141
DWNLT/ADJ
Gimbal Ring,
Black Baffle

LC141W
DWNLT/ADJ
Gimbal Ring,
White Baffle

LC141TBZ
DWNLT/ADJ,
Gimbal Ring,
Tuscan Bronze
Baffle

LC141CBN
DWNLT/ADJ,
Gimbal Ring, Cof-
fee Bean Baffle

45° Tilt

4-3/4" O.D. (121 mm)

Lamp	Non-IC
MR16	50W



LC142
DWNLT/ADJ,
Gimbal Ring, Clear
Reflector

LC146
DWNLT/ADJ,
Gimbal Ring, White
Reflector

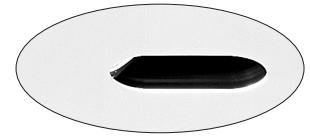
LC146TBZ
DWNLT/ADJ,
Gimbal Ring, Tuscan
Bronze

LC146CBN
DWNLT/ADJ,
Gimbal Ring, Cof-
fee Bean

45° Tilt

4-3/4" O.D. (121 mm)

Lamp	Non-IC
MR16	50W



LC119
Recessed
DWNLT/ADJ
LC119TBZ
Recessed
DWNLT/ADJ,
Tuscan Bronze

LC119CBN
Recessed
DWNLT/ADJ,
Coffee Bean

LC119SPM
Recessed
DWNLT/ADJ,
Soft Platinum

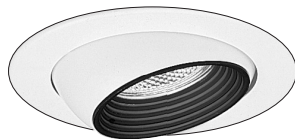
LC119RCP
Recessed
DWNLT/ADJ,
Rustic Copper

LC119MCA
Recessed
DWNLT/ADJ,
Mocha

30° Tilt

4-3/4" O.D. (121 mm)

Lamp	Non-IC
MR16	50W



LC108
Adjustable Eyeball,
Black Baffle
LC108TBZ
Adjustable Eyeball,
Tuscan Bronze
LC108CBN
Adjustable Eyeball,
Coffee Bean

LC108SPM
Adjustable Eyeball,
Soft Platinum
LC108RCP
Adjustable Eyeball,
Rustic Copper
LC108MCA
Adjustable Eyeball,
Mocha

30° Tilt

4-3/4" O.D. (121 mm)

Lamp	Non-IC
MR16	50W



LC105
Adjustable Mirror
Light, LA105
Spread Reflector
included

LC105TBZ
Adjustable Mirror
Light, Tuscan
Bronze

LC105CBN
Adjustable Mirror
Light, Coffee
Bean

LC105SPM
Adjustable Mir-
ror Light, Soft
Platinum

LC105RCP
Adjustable Mirror
Light, Rustic
Copper

LC105MCA
Adjustable Mirror
Light, Mocha

30° - 90° Tilt

4-3/4" O.D. (121 mm)

Lamp	Non-IC
MR16	50W



©2012 Philips Capri
All rights reserved.

776 South Green Street • Tupelo, MS 38804
p. 800.234.1890 • f. 662.841.5501
www.omegalighting.com
Canadian Division
189 Bullock Drive • Markham, Ontario L3P 1W4
p. 905.294.9570 • f. 905.294.9811

Contact Factory for Additional Configurations.

Specifications are subject to change without notice.

Consult website for latest version of this spec sheet.

Some luminaires use fluorescent or high intensity discharge (HID) lamps

that contain small amounts of mercury. Such lamps are labeled,

"Contain Mercury" and/or the symbol "HG". Lamps that contain

mercury must be disposed of in accordance with local requirements.

Information regarding lamp recycling and disposal can be found at

www.lamprecycle.org

