

**HB-10029**

**High Bay**

**AlumaBay 2  
TT5 CF**

**application**

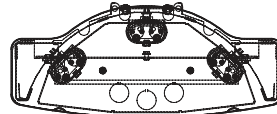
- An efficient and attractive solution for retail, commercial, and industrial lighting applications.

**construction and features**

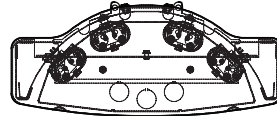
- 95% reflective specular aluminum reflector maximizes luminaire efficiency and controls light distribution.
- Available with or without uplight
- Die formed aluminum end caps.
- Optional heavy duty mounting chain kit or cable kit (order separately).
- Electronic ballasts are mounted crosswise on the ends for easy access.
- 2G11 lampholders and lamp supports secure lamps.
- End holes to attach hanger for chain or cable.
- 7/8" K.O. for motion detector.

**electrical**

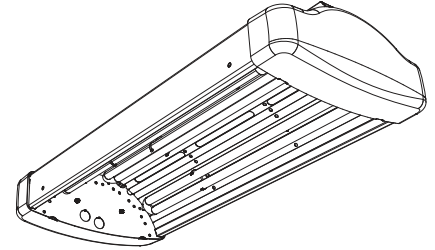
- Listed by ETL to meet UL1598 standards.
- Suitable for damp location and 55°C ambient.
- Maximum ambient for units with emergency ballast is 25°C.



**3 Lamp Version**



**4 Lamp Version**



**Specifier's Reference**

Project
Type
Model No.
Comments

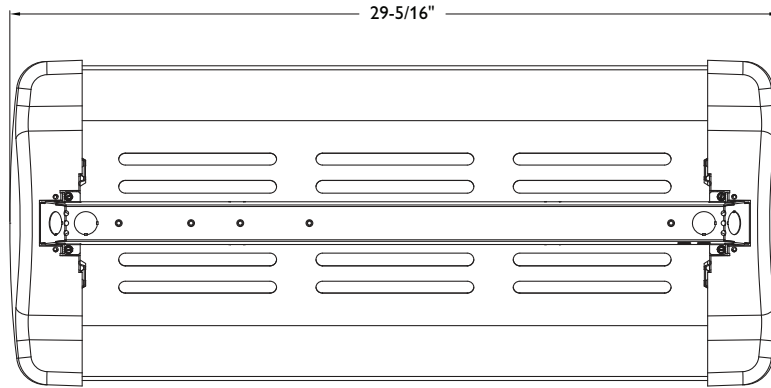
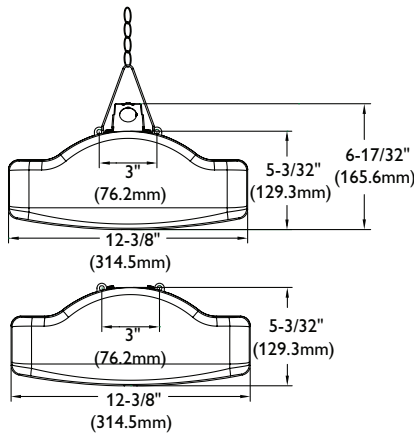
**Green Choice: A2U4CF40-UNV-2/2-EB**

<b>No. of Lamps/ Cross Section</b>	<b>Voltage</b>	<b>Ballast Rating</b>
3	UNV – (105 -305 V)	EB – Programmed Start Ballasts
4	120	
	208	
	240	
	277	
<b>Family</b>	<b>Lamp Type/ Wattage</b>	<b>Ballast</b>
A2U – AlumaBay 2 With Uplight	CF40 – 40WTT5	1/21 – One 2 Lamp and one 1 Lamp Electronic Ballast
A2D – AlumaBay 2 w/out Uplight	CF50 – 50WTT5	2/2 – Two 2 Lamp Electronic Ballasts
	CF55 – 55WTT5	
<b>Accessories (Order Separately)</b>		
WG-ALU2 – Wire Guard		
MD360 – Motion Detector (120 or 277)		
MD360-480 – Motion Detector (480)		
ALU2-LENS – Clear acrylic lens		
ALU2-LVR-AL – 30 cell lower, natural finish		
FBF/FBE CHAIN KIT – Hangers with chains		
FBF/FBE-GRIP5 – Hangers with 5' cables		
ALU/FBF-YTOG15 – Two "Y" cables, 15'		
<b>Options</b>		
E6LP – DEB-6LP Emergency Ballast (925-1050 lumens)(Requires top enclosure)		
E7LP – DEB-7LP Emergency Ballast 6 (510-625 lumens) (Requires top enclosure)		
GLR – Fusing		
WC3 – Wired 3' Cord		
WP3 – Wired 3' Cord and Plug Assembly (Specify Voltage)		
WT – Optional White Reflector		
<b>General Notes</b>		
All options factory installed.		
All accessories are field installed.		

**energy data**

Lamp Watts	Ballast Type	Input Watts
40WTT5	1/21-EB	117
	2/2-EB	152
50WTT5	1/21-EB	179
	2/2-EB	236
55WTT5	1/21-EB	170
	2/2-EB	224

**PHILIPS  
Day-Brite**



photometry

**TT5 CF**

Efficiency – 69.4%

LER – 61

TER – 33.9

<b>Catalog No.</b>	A2D4CF40
<b>Test No.</b>	29253
<b>Medium Spread S/MH</b>	1.2
<b>Lamp Type</b>	CF40TT5
<b>Lumens/Lamp</b>	3150
<b>Ballast Factor</b>	0.90
<b>Input Watts</b>	130

Comparative yearly lighting energy cost per 1000 lumens – **\$3.93** based on 3000 hrs. and \$.08 pwr KWH.

The photometric results were obtained in the Philips Day-Brite laboratory which is NVLAP accredited by the National Institute of Standards and Technology.

Candlepower

Angle	End	45	Cross
0	3229	3229	3229
5	3225	3235	3212
15	3104	3079	3048
25	2856	2863	2889
35	2495	2553	2472
45	2046	2026	1994
55	1522	1512	1576
65	951	1025	1248
75	401	565	658
85	57	88	72

Light Distribution

Degrees	Lumens	% Lamp	% Luminaire
0-30	2505	19.9	28.6
0-40	4068	32.3	46.5
0-60	7017	55.7	80.2
0-90	8750	69.4	100.0

Average Luminance

Angle	End	45°	Cross
45	17797	17623	17345
55	16321	16214	16900
65	13841	14918	18163
75	9530	13427	15637
85	4023	6210	5081

Coefficients of Utilization

EFFECTIVE FLOOR CAVITY REFLECTANCE 20 PER (pfc=0.20)

Ceil	80				70				50				30				10			
	70	50	30	10	70	50	30	10	50	30	10	50	30	10	50	30	10			
0	83	83	83	83	81	81	81	81	77	77	77	74	74	74	71	71	71			
1	76	73	70	67	74	71	68	66	68	66	64	65	64	62	63	61	60			
2	69	63	59	55	67	62	58	54	60	56	53	57	54	52	55	53	51			
3	63	56	50	46	61	55	49	45	53	48	44	51	47	44	49	46	43			
4	58	49	43	39	56	49	43	39	47	42	38	45	41	37	44	40	37			
5	53	44	38	33	52	43	38	33	42	37	33	41	36	33	39	35	32			
6	49	40	34	29	48	39	33	29	38	33	29	37	32	29	36	32	28			
7	45	36	30	26	44	36	30	26	35	29	26	34	29	25	33	28	25			
8	42	33	27	23	41	33	27	23	32	27	23	31	26	23	30	26	23			
9	40	30	25	21	39	30	24	21	29	24	21	28	24	21	28	23	20			
10	37	28	23	19	36	28	22	19	27	22	19	26	22	19	26	22	19			

**TT5 CF**

Efficiency – 85.7%

LER – 62

TER – 32.3

<b>Catalog No.</b>	A2U4CF40
<b>Test No.</b>	29263
<b>Medium Spread S/MH</b>	1.3
<b>Lamp Type</b>	CF40TT5
<b>Lumens/Lamp</b>	3150
<b>Ballast Factor</b>	.90
<b>Input Watts</b>	156

Comparative yearly lighting energy cost per 1000 lumens – **\$3.87** based on 3000 hrs. and \$.08 pwr KWH.

The photometric results were obtained in the Philips Day-Brite laboratory which is NVLAP accredited by the National Institute of Standards and Technology.

Candlepower

Angle	End	45	Cross
0	3508	3508	3508
5	3493	3493	3502
15	3370	3345	3396
25	3116	3201	3253
35	2729	2861	2846
45	2238	2335	2407
55	1663	1803	1856
65	1026	1195	1460
75	430	640	819
85	60	106	102
95	5	58	57
105	40	133	139
115	51	158	224
125	93	207	224
135	149	171	275
145	182	207	218
155	194	185	232
165	218	136	227
175	220	167	149

Light Distribution

Degrees	Lumens	% Lamp	% Luminaire
0-30	2753	21.9	25.5
0-40	4505	35.8	41.7
0-60	7888	62.6	73.0
0-90	9895	78.5	91.6
(90-120)	322	2.6	3.0
(90-130)	479	3.8	4.4
(90-150)	757	6.0	7.0
(90-180)	906	7.2	8.4
(0-180)	10801	85.7	100.0

Average Luminance

Angle	End	45°	Cross
45	19467	20311	20937
55	17833	19335	19903
65	14932	17392	21249
75	10219	15210	19463
85	4234	7481	7198

Coefficients of Utilization

EFFECTIVE FLOOR CAVITY REFLECTANCE 20 PER (pfc=0.20)

Ceil	80				70				50				30				10			
	70	50	30	10	70	50	30	10	50	30	10	50	30	10	50	30	10			
0	100	100	100	100	97	97	97	97	91	91	91	86	86	86	81	81	81			
1	92	88	84	81	89	85	82	79	80	78	75	76	74	72	72	70	68			
2	84	77	71	66	81	74	69	65	70	66	62	66	63	60	63	60	57			
3	76	67	60	55	73	65	59	54	62	57	52	59	54	50	55	52	49			
4	70	60	52	47	67	58	51	46	55	49	44	52	47	43	49	45	42			
5	64	53	46	40	62	52	45	39	49	43	38	47	41	37	44	40	36			
6	59	48	40	35	57	47	40	34	44	38	34	42	37	33	40	36	32			
7	55	43	36	31	53	42	35	30	40	34	30	39	33	29	37	32	28			
8	51	40	32	27	49	39	32	27	37	31	27	35	30	26	34	29	25			
9	48	36	29	25	46	35	29	24	34	28	24	33	27	23	31	26	23			
10	45	33	27	22	43	33	26	22	31	26	22	30	25	21	29	24	21			



©2011 Philips Day-Brite  
All rights reserved.

776 South Green Street • Tupelo, MS 38804  
p. 800.234.1890 • f. 662.841.5501  
Canadian Division  
189 Bullock Drive • Markham, Ontario L3P 1W4  
p. 905.294.9570 • f. 905.294.9811

Contact Factory for Additional Configurations.  
Specifications are subject to change without notice.