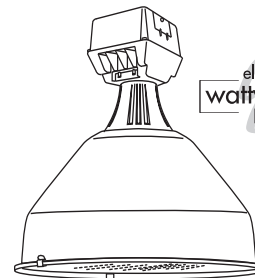


JOB NAME _____
 TYPE _____

HBF ENCLOSED HIGH BAY FOOD PROCESSING LUMINAIRE

150-400 watt Metal Halide
 150-400 watt High Pressure Sodium
 150-450 watt Pulse Start Metal Halide



electronic
wattwatcher™
 ballast

The HBF400 High Bay luminaire features an enclosed reflector with a white polyester powder paint finish and a clear acrylic lens that make it suitable for use in USDA non food zone areas.

Day-Brite Lighting

ORDERING MATRIX

SAMPLE CATALOG NUMBER: HBF400PMT-PSC A24EF

HBF	[]	[]	[]	-	[]	A24EF	
BALLAST ASSEMBLY HBF		LAMP SOURCE M - Metal Halide S - High Pressure Sodium P - Pulse Start Metal Halide (Ballast option must also be specified)			OPTIONS (add as suffix) CUL - UL Listing to meet CSA standards WEB - Pulse Starter Electronic Ballast (150, 200, 250, 340, 350, 400, 450 watt only) Consult factory for available voltages and ambient temperature rating. EP - Encased and Potted core and coil ballast for quiet operation ⁴⁸ HR - Hot Restrike (150W HPS only) MR - Magnetic Regulated Ballast ³⁵ PSC - Pulse Start CWA Ballast PSM - Pulse Start Magnetic Regulated Ballast (175, 200, 250 & 400 watt only.) PSR - Pulse Start Reactor Ballast (150, 200, 250, 320, 350, 400, 450 watt. 277 volt only.) Q - Quartz Standby QEM - Quartz Emergency ²⁰ QTD - Quartz Time Delay HL - HI/LO Ballast ⁵⁶		OPTICAL ASSEMBLY A24EF - Enclosed 24" Aluminum Reflector Finished Inside and Out with White Polyester Powder Coating
	WATTAGE 150 - 150 175 - 175 ⁴ 200 - 200 ³¹ 250 - 250 320 - 320 ³⁰ 340 - 340 ³⁰ 350 - 350 ³⁰ 400 - 400 440 - 440 ³⁰ 450 - 450 ³⁰		VOLTAGE 12 - 120 20 - 208 24 - 240 27 - 277 34 - 347 48 - 480 2T - 208/277 MT - 120/208 240/277 TT - 120/277 347				

Footnotes:

- ⁴Not available in High Pressure Sodium.
- ³⁰Pulse Start Metal Halide only.
- ³¹Not available in standard Metal Halide.
- ³⁵Available 150 - 400W High Pressure Sodium.
- ⁴⁸Requires 120 volt secondary power supply.
- ⁴⁹May require deep ballast housing.
- ⁵⁶Must specify voltage.

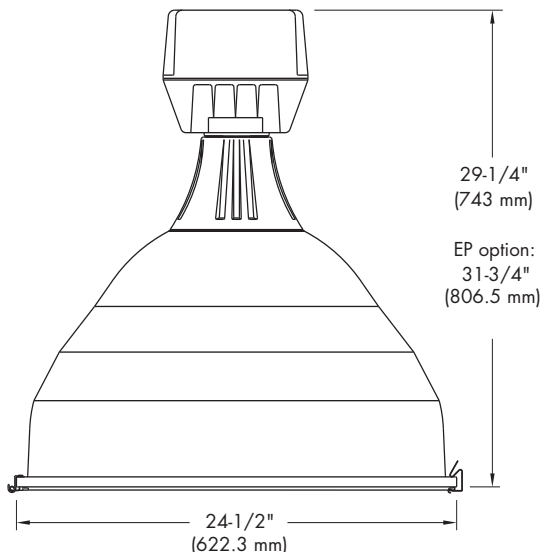
General Notes:

All accessories are field installed.
 Mogul base lamp only.
 All options factory installed.

Warning: Refer to and follow the lamp manufacturer's warnings and instructions.

HBF400-HIGH BAY A24EF FOOD PROCESSING

DIMENSIONS



ENERGY DATA

HIGH PRESSURE SODIUM

HX BALLAST INPUT WATTS

150 watt-188 watts

CWA BALLAST INPUT WATTS

200 watt-240 watts

250 watt-295 watts

310 watt-365 watts

400 watt-464 watts

METAL HALIDE

HX BALLAST INPUT WATTS

150 watt-185 watts

BALLAST INPUT WATTS

CWA WEB

150 watt 189 watts 163 watts

175 watt 210 watts -

200 watt 232 watts 213 watts

250 watt 295 watts 263 watts

320 watt 368 watts -

350 watt 400 watts 363 watts

400 watt 458 watts 413 watts

450 watt 508 watts 465 watts

HB-10030.1

HBF 400W MH A24EF/POSITION 3

MEDIUM SPREAD S/MH = 1.4

TEST NO. 20355

DISTRIBUTION CURVE	COEFFICIENTS OF UTILIZATION										AVERAGE BRIGHTNESS				ZONAL SUMMARY				CANDLEPOWER											
	EFFECTIVE FLOOR CAVITY REFLECTANCE 20 PER (pfc=0.20)										ZONE	END	45	CROSS	Degrees	Lumens	% Lamp	% Fixture	Angle	Avg. Candela	Angle	Avg. Candela								
	CEIL	80	70	50	30	10						45	43125	43721	43454	(0-30)	9251	23.1	28.7											
	WALL	70	50	30	10	70	50	30	10	50	30	10	50	30	10	55	36277	37394	37585	(0-40)	15550	38.9	48.2	0	10701	50	8174			
	RCR															65	22562	22141	22400	(0-60)	28051	70.1	86.9	5	10797	55	6208			
	0	96	96	96	96	94	94	94	94	90	90	90	86	86	86	82	82	82	75	15621	15290	15343	(0-90)	32283	80.7	100.0	10	10890	60	3985
	1	89	85	82	79	87	84	81	78	80	78	76	77	75	73	74	73	71	85	6172	6054	5346	(90-180)	0	0.0	0.0	15	11048	65	2759
	2	81	75	70	66	79	74	69	65	71	67	64	68	65	62	66	63	61					(0-180)	32283	80.7	100.0	20	11205	70	1887
	3	74	66	60	55	72	65	59	55	63	58	54	61	56	53	59	55	52								25	11069	75	1165	
	4	68	59	52	47	66	58	52	47	56	51	46	54	49	46	52	48	45								30	10482	80	549	
	5	63	53	46	41	61	52	45	40	50	44	40	49	44	40	47	43	39								35	10002	85	149	
	6	58	48	41	36	56	47	40	35	45	39	35	44	39	35	43	38	34								40	9597			
7	54	43	36	31	52	42	36	31	41	35	31	40	35	31	39	34	31								45	8964				
8	50	39	32	28	49	39	32	28	38	32	28	37	31	27	36	31	27													
9	47	36	29	25	45	35	29	25	35	29	25	34	28	25	33	28	25													
10	44	33	27	23	43	33	27	23	32	26	22	31	26	22	30	26	22													

COMPARATIVE YEARLY LIGHTING ENERGY COST PER 1000 LUMENS = \$3.43 BASED ON 3000 HRS. AND \$.08 PER KWH. LER=70

These photometric results were obtained in the Day-Brite Lighting Laboratory which is NVLAP accredited by the National Institute of Standards and Technology.

ADDITIONAL TEST NUMBERS

A24EF 250 WATT		METAL HALIDE	
SOCKET	S/MH	TEST NUMBER	
POSITION 1	1.4	20367	
POSITION 2	1.4	20366	
POSITION 3	1.5	20365	
POSITION 4	1.5	20364	
POSITION 5	1.5	20363	
POSITION 6	1.5	20362	

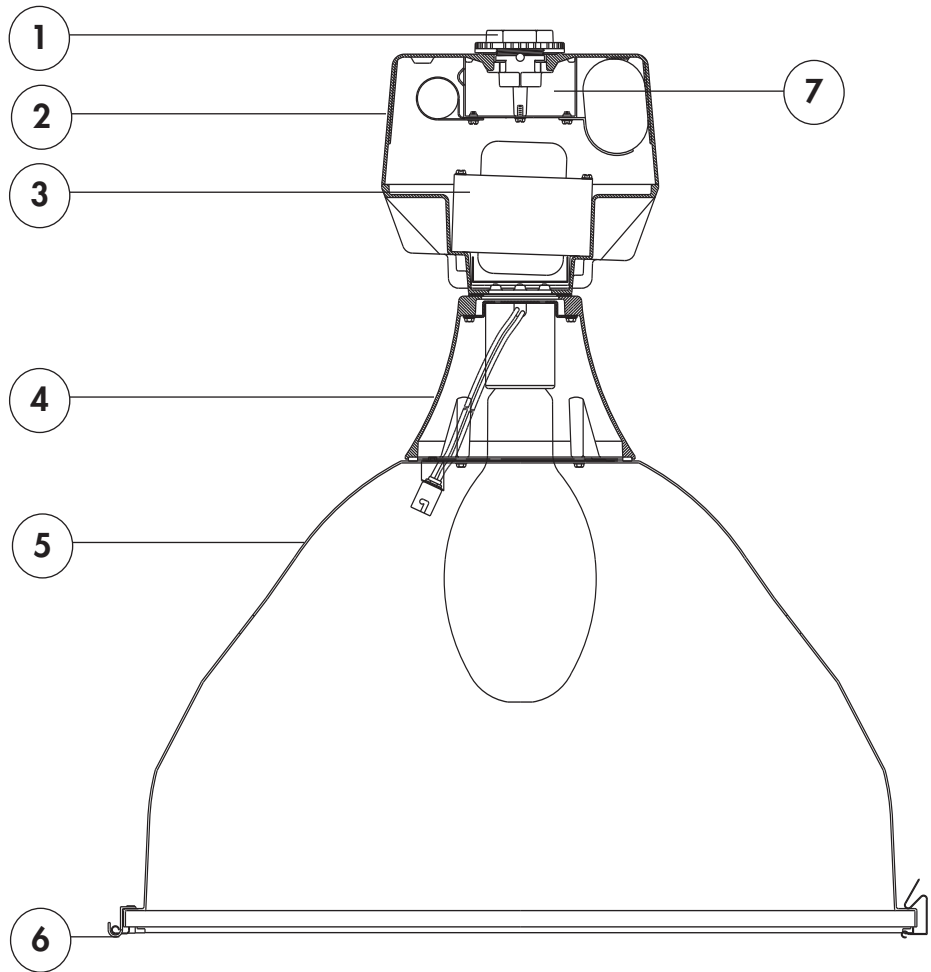
A24EF 400 WATT		METAL HALIDE	
SOCKET	S/MH	TEST NUMBER	
POSITION 1	1.4	20357	
POSITION 2	1.4	20356	
POSITION 3	1.4	20355	
POSITION 4	1.5	20354	
POSITION 5	1.5	20353	
POSITION 6	1.5	20352	

A24EF 400 WATT		HPS	
SOCKET	S/MH	TEST NUMBER	
POSITION 1	1.4	20376	
POSITION 2	1.5	20375	
POSITION 3	1.5	20374	
POSITION 4	1.6	20373	
POSITION 5	1.6	20372	
POSITION 6	1.6	20371	

PRODUCT FEATURES

UL 1598 Listed suitable for wet location and 55°C ambient for all lamp wattages listed with magnetic ballast. Consult factory for ambient temperature rating for electronic ballast (WEB option).

- 3/4" threaded cast aluminum nut and hub for easy, positive mounting.
- Heavy wall, two piece die cast aluminum housing with white polyester powder finish.
- Day-Brite "Slant 2" ballast mounting for cooler operation. Ballast has high temperature class H insulation and a minimum starting temperature of -40°C (-40°F) for HPS and Pulse Start MH or -30°C (-20°F) for MH.
- Die cast aluminum neck provides positive mounting of reflector to ballast assembly and field adjustable light distribution patterns.
- Precision spun heavy gauge aluminum reflector with white polyester powder coat finish.
- Hinged door with clear acrylic lens. UL 1598 Listed for Metal Halide arc tube containment.
- Large wiring access with captive retainer screw.



Visit our web site at www.daybritelighting.com

776 South Green Street Tupelo, MS 38804 Phone: 662-842-7212 Fax: 662-841-5501

HB-10030.1

189 Bullock Drive Markham, Ontario Canada L3P 1W4 Phone: 905-294-9570 Fax: 905-294-8911
 Day-Brite Lighting reserves the right to make changes without notice. ©August 2004. DL2.5M0804
 Day-Brite Lighting is a Genlyte Thomas Group.

