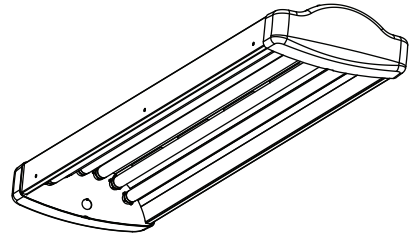


AlumaBay FLUORESCENT HIGH BAY LUMINAIRE

T8 or T5/HO Fluorescent

The AlumaBay Fluorescent High Bay Luminaire features highly efficient specular aluminum reflectors with or without upright apertures and an aluminum enclosure design for an efficient and attractive alternative in retail, commercial, and industrial lighting applications.



JOB NAME _____

TYPE _____

ORDERING MATRIX

SAMPLE CATALOG NUMBER: ALU632-UNV-1/42-EBH

FAMILY	LAMP TYPE/WATTAGE	BALLAST	BALLAST RATING	OPTIONS
ALU - AlumaBay With Uplight	32 - 32WT8 (48") 54HO - 54WT5HO (46")	1/2 - One 2 Lamp Electronic Ballast 1/3 - One 3 Lamp Electronic Ballast	EB - Standard Ballast Factor (1.0 for T5HO, .88 for T8) EBH - High Ballast Factor (1.15-1.2, T8 only) EB-2LS* - Ballast with 2 Level Switching (54W T5HO-4 Lamp only)	E6LP* - DEB-6LP Emergency Ballast, T5/T5HO/T8 lamps, 750-1235 lumens (not available for 7 and 8 lamp T5HO units or 480V, 4 and 6 lamp T5HO units) E7LP* - DEB-7LP Emergency Ballast, T5/T5HO/T8 lamps, 430-700 lumens (not available for 7 and 8 lamp T5HO units or 480V, 4 and 6 lamp T5HO units)
ALD - AlumaBay without Uplight	NO. LAMPS/ CROSS SECTION 2 3 4 5 6 7 8	VOLTAGE UNV (105 -305 V) 120 277 HRV (347-480 V) 54HO: 2/2-EB and 1/42-EB only		GLR - Fusing WC3 - Wired 3' Cord WP3 - Wired 3' Cord and Plug Assembly (Specify Voltage) WT - Optional White Reflector

ACCESSORIES (ORDER SEPARATELY)

- WG-ALU - Wire Guard
- MD360 - Motion Detector (120 or 277)
- MD360-480 - Motion Detector (480)
- ALU-LENS - Clear acrylic lens
- ALU-LENS-8 - Clear acrylic lens - 8 lamp unit
- ALU-LENS-MD - Clear acrylic lens for all units with motion detector
- ALU-LVR-AL - 63 cell louver, natural finish
- FBF/FBE CHAIN KIT - Hangers with chains
- FBF/FBE-GRIP5 - Hangers with 5' cables
- ALU/FBF-YTOG15 - Two "Y" cables, 15'

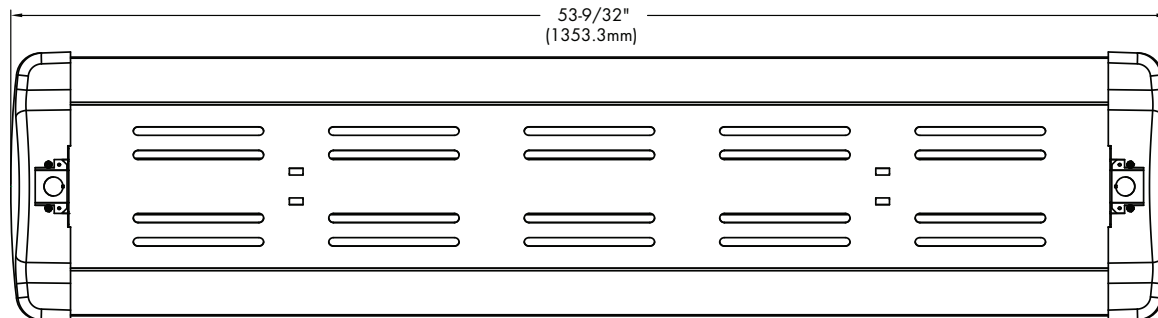
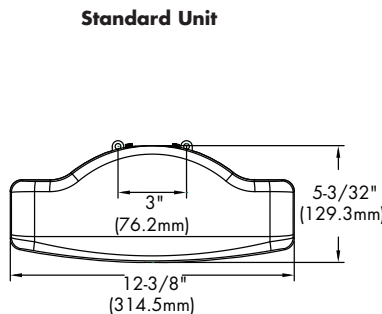
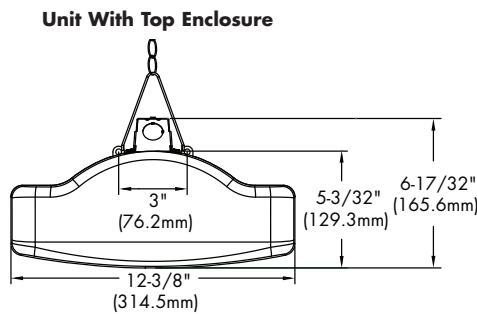
General Notes:
All options factory installed.
All accessories are field installed.

ENERGY DATA

LAMP WATTS	BALLAST TYPE	INPUT WATTS
32W T8	1/2-EBH	74
	1/3-EBH	111
	1/21-EBH	115
	1/4-EBH	148
	2/2-EBH	148
	1/32-EBH	185
	1/42-EBH	222
	2/3-EBH	222
	1/43-EBH	259
	2/4-EBH	296
54W T5HO	1/2-EB	120
	1/3-EB*	182
	1/21-EB	182
	1/4-EB*	240
	2/2-EB	240
	1/32-EB*	302
	1/42-EB*	360
	3/2-EB*	360
	2/2-1/3-EB*	422
	2/2-1/4-EB*	480

*Top Enclosure Option

DIMENSIONS



6-F32T8 with UPLIGHT

TEST NO. 27974

MEDIUM SPREAD S/MH = 1.2

DISTRIBUTION CURVE	COEFFICIENTS OF UTILIZATION	AVERAGE BRIGHTNESS	ZONAL SUMMARY	CANDLEPOWER											
	EFFECTIVE FLOOR CAVITY REFLECTANCE 20 PER (pfc=0.20)	ZONE	END	45	CROSS	Degrees	Lumens	% Lamp	% Fixture	Angle	End	45°	Cross		
	Ceil	45	12167	10881	9721	0-30	3811	22.3	25.6	0	4981	4981	4981		
	Wall	55	11670	9299	9617	0-40	6164	36.0	41.4	5	4973	4973	4947		
	RCR	65	10697	9445	10182	0-60	10543	61.7	70.9	15	4820	4756	4726		
	0	75	8954	9091	8416	0-90	13310	77.8	89.5	25	4499	4383	4153		
	1	85	5318	3865	1918	90-180	1570	9.2	10.5	35	4018	3672	3604		
	2	COMPARATIVE YEARLY LIGHTING ENERGY COST PER 1000 LUMENS = \$3.04 BASED ON 3000 HRS. AND \$.08 PER KWH. LER=79										45	3397	3038	2714
	3	These photometric results were obtained in the Day-Brite Lighting Laboratory which is NVLAP accredited by the National Institute of Standards and Technology.										55	2643	2106	2178
	4											65	1785	1576	1899
	5											75	915	929	860
6											85	183	133	66	

8-F32T8 with UPLIGHT

TEST NO. 27971

MEDIUM SPREAD S/MH = 1.2

DISTRIBUTION CURVE	COEFFICIENTS OF UTILIZATION	AVERAGE BRIGHTNESS	ZONAL SUMMARY	CANDLEPOWER											
	EFFECTIVE FLOOR CAVITY REFLECTANCE 20 PER (pfc=0.20)	ZONE	END	45	CROSS	Degrees	Lumens	% Lamp	% Fixture	Angle	End	45°	Cross		
	Ceil	45	13292	12948	12841	0-30	4239	18.6	23.1	0	5419	5419	5419		
	Wall	55	12898	12562	13375	0-40	6927	30.4	37.8	5	5434	5446	5434		
	RCR	65	11980	13238	15444	0-60	12339	54.1	67.3	15	5254	5263	5225		
	0	75	10128	15667	16792	0-90	16682	73.2	91.1	25	4905	4884	4762		
	1	85	6538	16331	18947	90-180	1639	7.2	8.9	35	4390	4244	4223		
	2	COMPARATIVE YEARLY LIGHTING ENERGY COST PER 1000 LUMENS = \$3.20 BASED ON 3000 HRS. AND \$.08 PER KWH. LER=75										45	3711	3615	3585
	3	These photometric results were obtained in the Day-Brite Lighting Laboratory which is NVLAP accredited by the National Institute of Standards and Technology.										55	2921	2845	3029
	4											65	1999	2209	2577
	5											75	1035	1601	1716
6											85	225	562	652	

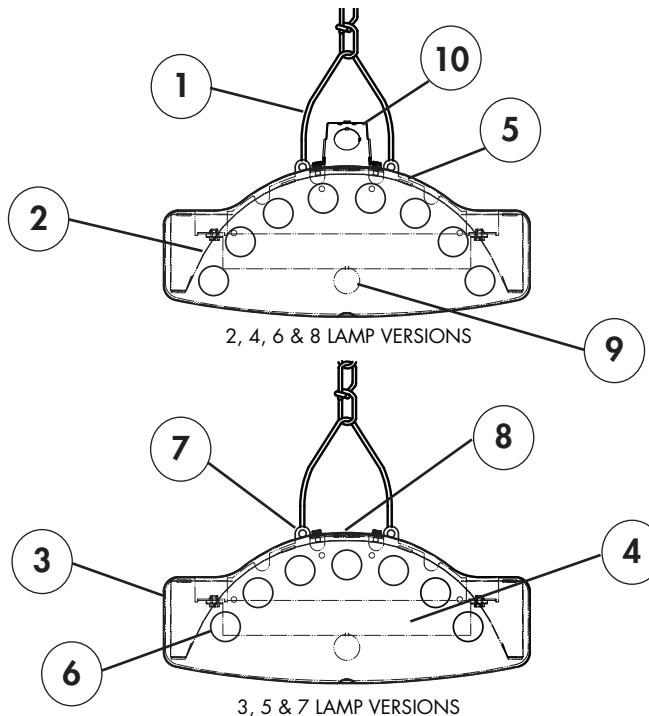
ADDITIONAL TEST NUMBERS

DESCRIPTION/CATALOG #	TEST NUMBER
ALU254HO-UNV-1/2-EB	28721
ALU454HO-UNV-2/2-EB	28719
ALU654HO-UNV-1/42-EB	28717
ALU854HO-UNV-2/2-1/4-EB	28716

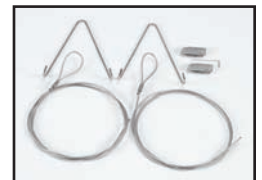
PRODUCT FEATURES

Listed by ETL to meet UL1598 standards. Suitable for damp location and 55°C ambient.

- Optional heavy duty mounting chain kit or cable kit (order separately).
- 95% reflective specular aluminum reflector maximizes luminaire efficiency and controls light distribution.
- Die formed aluminum end caps.
- Electronic ballasts for all T8 and some T5HO units are mounted crosswise on the ends for easy access. Ballasts for T5HO units with more than four lamps are mounted in an easily accessible top channel.
- Uplight apertures (ALU only).
- Rotating ring, locking type lampholders for T5 HO lamps and locking type for T8 lamps.
- End holes to attach hanger for chain or cable.
- Wiring access.
- 7/8" K.O. for motion detector.
- Top enclosure (when required)



FBF/FBE CHAIN KIT



FBF/FBE-GRIP5



ALU/FBF-YTOG15