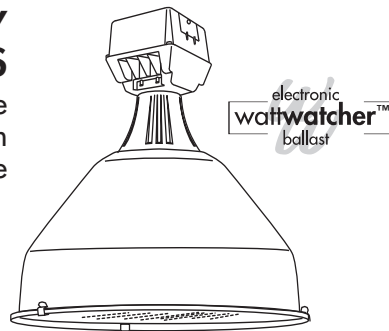


JOB NAME _____
 TYPE _____

HBE ENCLOSED HIGH BAY ALUMINUM REFLECTORS

400 watt Metal Halide
 400 watt High Pressure Sodium
 320-450 watt Pulse Start Metal Halide



The HBE400 Enclosed High Bay Luminaire features enclosed, spun aluminum reflectors with a tempered glass lens for use in applications requiring dust tight or wet location (optional) construction.

Day-Brite Lighting

ORDERING MATRIX

SAMPLE CATALOG NUMBER: HBE400PMT-PSC A24E

HBE							
BALLAST ASSEMBLY HBE		LAMP SOURCE M - Metal Halide S - High Pressure Sodium P - Pulse Start Metal Halide (Ballast option must also be specified)		OPTIONS (add as suffix) CUL - UL Listing to meet CSA standards WEB - Pulse Start Electronic Ballast (150, 200, 250, 340, 350, 400, 440, 450 watt only) Consult factory for available voltages and ambient temperature rating. EP - Encased and Potted core and coil ballast for quiet operation ⁴⁸ MR - Magnetic Regulated Ballast ³⁵ PSC - Pulse Start CWA Ballast PSM - Pulse Start Magnetic Regulated Ballast (400 watt only.) PSR - Pulse Start Reactor Ballast (320-450 watt, 277 volt only.) Q - Quartz Standby QEM - Quartz Emergency ⁴⁰ QTD - Quartz Time Delay WDF - Wired Double Fuse ⁴⁵ WSF - Wired Single Fuse ⁴⁶ HL - HI/LO Ballast ⁵⁶ 65 - 65°C Ambient ⁴⁸ NFZ - Non Food Zone WL - Wet Location		OPTICAL ASSEMBLY A24E - Enclosed 24" Aluminum Reflector (MH only) A24SE - Enclosed 24" Aluminum Reflector (HPS only)	
	WATTAGE 320 - 320 ³⁰ 340 - 340 ³⁰ 350 - 350 ³⁰ 400 - 400 440 - 440 ³⁰ 450 - 450 ³⁰		VOLTAGE 12 - 120 20 - 208 24 - 240 27 - 277 34 - 347 48 - 480 2T - 208/277 MT - 120/208 240/277 TT - 120/277 347			OPTICAL OPTIONS CFWL - Charcoal Filter Wet Location WT - Reflector finished inside and out with White Polyester Powder Coating SIL - Day-Sil™ Silicone finish on reflector (Not available with "WT" option)	

ACCESSORIES (ORDER SEPARATELY)

- CH - Cover Half for Power Hook (use with PB)
 - PB - Power Box for Power Hook (use with CH)
 - HP12 - Hook-Cord-Plug Assembly 120V
 - HP25 - Hook-Cord-Plug Assembly 208-240V
 - HP27 - Hook-Cord-Plug Assembly 277V
 - HP48 - Hook-Cord-Plug Assembly 480V
 - HMR - Suspension Hook Male
 - LMR - Suspension Loop Male
 - SCB3 - Ballast Retainer Chain 3'
 - WGN24 - Wire Guard
- (Refer to Section 18000 for additional accessories.)

Footnotes:

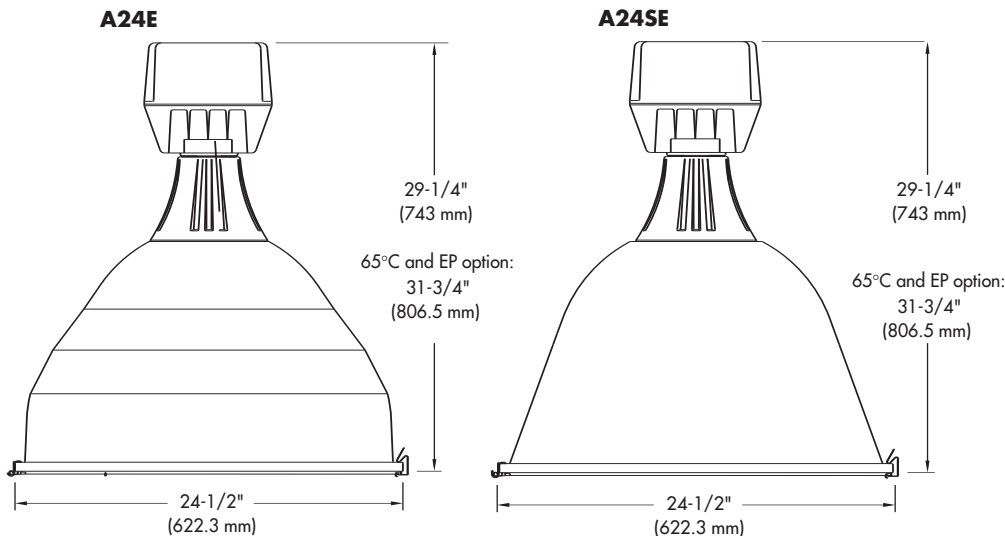
- ³⁰Pulse Start Metal Halide Only.
- ³⁵Available 400W High Pressure Sodium.
- ⁴⁰Requires 120V secondary power supply.
- ⁴⁵Use with 208, 240, and 480 volt.
- ⁴⁶Use with 120, 277, and 347 volt.
- ⁴⁸May require deep ballast housing.
- ⁵⁶Must specify voltage.

General Notes:

All accessories are field installed.
 Mogul base lamp only.
 All options factory installed.

Warning: Refer to and follow the lamp manufacturer's warnings and instructions.

DIMENSIONS



ENERGY DATA

HIGH PRESSURE SODIUM

CWA BALLAST INPUT WATTS
 400 watt-464 watts

METAL HALIDE

BALLAST INPUT WATTS

	CWA	WEB
320 watt	368 watts	-
350 watt	400 watts	363 watts
400 watt	458 watts	413 watts
450 watt	508 watts	465 watts

HBE400-HIGH BAY A24E & A24SE

HB-10061.1

HBE 400W MH A24E/POSITION 6

NARROW SPREAD S/MH = 0.8

TEST NO. 18952

DISTRIBUTION CURVE	COEFFICIENTS OF UTILIZATION										AVERAGE BRIGHTNESS				ZONAL SUMMARY				CANDLEPOWER				
	EFFECTIVE FLOOR CAVITY REFLECTANCE 20 PER (pfc=0.20)										ZONE	END	45	CROSS	Degrees	Lumens	% Lamp	% Fixture	Angle	Avg. Candela	Angle	Avg. Candela	
	CEIL	80	70	50	30	10					45	31762	32683	31961	(0-30)	13934	34.8	48.2					
	WALL	70	50	30	10	70	50	30	10	50	30	10	50	30	10	(0-40)	20537	51.3	71.1	0	25600	50	4489
	RCR	0	86	86	86	86	84	84	84	84	80	80	80	77	77	(0-60)	28005	70.0	96.9	5	24126	55	2658
	1	81	79	77	75	79	77	75	73	74	73	71	71	70	69	(0-90)	28895	72.2	100.0	10	20477	60	1250
	2	76	72	68	65	74	70	67	64	68	65	63	66	64	62	(90-180)	0	0.0	0.0	15	17970	65	669
	3	71	65	61	57	69	64	60	57	62	59	56	60	58	55	(0-180)	28895	72.2	100.0	20	16261	70	324
	4	66	60	55	51	65	59	54	51	57	53	50	56	52	50					25	14575	75	138
	5	62	55	50	46	61	54	49	46	53	48	45	51	48	45					30	12632	80	38
	6	58	50	45	42	57	50	45	41	49	44	41	48	44	41					35	10654	85	0
	7	55	47	41	38	54	46	41	38	45	41	37	44	40	37					40	8609		
8	51	43	38	35	50	43	38	35	42	37	34	41	37	34					45	6632			
9	48	40	35	32	48	40	35	32	39	35	32	38	34	32									
10	46	38	33	29	45	37	33	29	37	32	29	36	32	29									

COMPARATIVE YEARLY LIGHTING ENERGY COST PER 1000 LUMENS = \$3.81 BASED ON 3000 HRS. AND \$.08 PER KWH. LER=63

These photometric results were obtained in the Day-Brite Lighting Laboratory which is NVLAP accredited by the National Institute of Standards and Technology.

ADDITIONAL TEST NUMBERS

A24E 400 WATT	S/MH	METAL HALIDE	TEST NUMBER
POSITION 1	0.4		18957
POSITION 2	0.4		18956
POSITION 3	0.4		18955
POSITION 4	0.4		18954
POSITION 5	0.6		18953
POSITION 6	0.8		18952

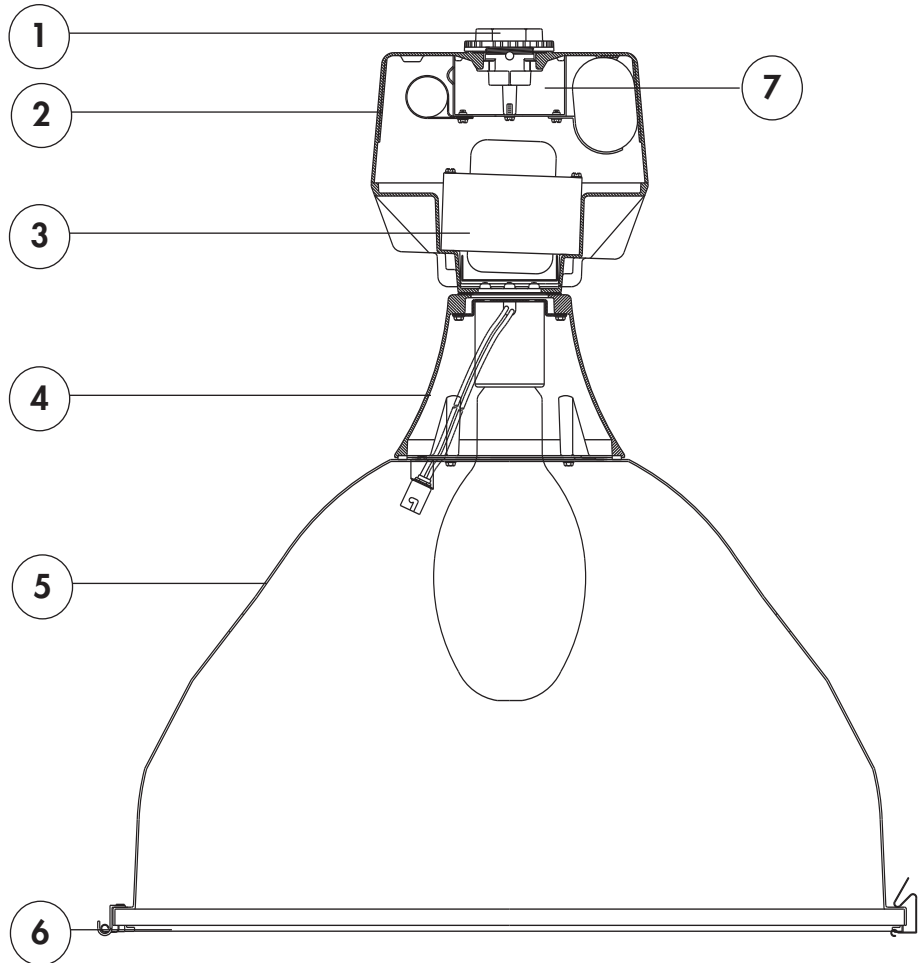
A24SE 400 WATT	S/MH	METAL HALIDE	TEST NUMBER
POSITION 1	0.3		19047
POSITION 2	0.3		19046
POSITION 3	0.5		19045
POSITION 4	1.0		19044
POSITION 5	1.2		19043
POSITION 6	1.4		19042

A24SE 400 WATT	S/MH	HPS	TEST NUMBER
POSITION 1	0.2		18316
POSITION 2	0.2		18315
POSITION 3	0.2		18314
POSITION 4	0.6		18313
POSITION 5	1.0		18312
POSITION 6	1.3		18311

PRODUCT FEATURES

UL 1598 Listed suitable for damp location and 55°C ambient for all lamp wattages listed with magnetic ballast. Consult factory for ambient temperature rating for electronic ballast (WEB option).

- 3/4" threaded cast aluminum nut and hub for easy, positive mounting.
- Heavy wall, two piece die cast aluminum housing with white polyester powder finish.
- Day-Brite "Slant 2" ballast mounting for cooler operation. Ballast has high temperature class H insulation and a minimum starting temperature of -40°C (-40°F) for HPS and Pulse Start MH or -30°C (-20°F) for MH.
- Die cast aluminum neck provides positive mounting of reflector to ballast assembly and field adjustable light distribution patterns.
- Precision spun heavy gauge aluminum reflector with clear anodized finish.
- Hinged door with tempered glass lens.
- Large wiring access with captive retainer screw.



Visit our web site at www.daybritelighting.com

776 South Green Street Tupelo, MS 38804 Phone: 662-842-7212 Fax: 662-841-5501

HB-10061.1

189 Bullock Drive Markham, Ontario Canada L3P 1W4 Phone: 905-294-9570 Fax: 905-294-8911
 Day-Brite Lighting reserves the right to make changes without notice. ©August 2004. DL2.5M0804
 Day-Brite Lighting is a Genlyte Thomas Group.

