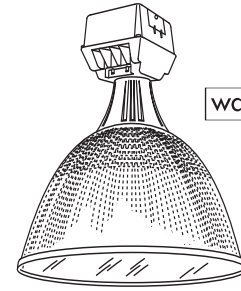


JOB NAME \_\_\_\_\_  
 TYPE \_\_\_\_\_

# HBE ENCLOSED HIGH BAY ACRYLIC REFLECTORS

150-400 watt Metal Halide  
 150-400 watt High Pressure Sodium  
 150-450 watt Pulse Start Metal Halide



electronic  
**wattwatcher™**  
 ballast

**Day-Brite Lighting**

The HBE400 Enclosed High Bay Luminaire features an enclosed, acrylic reflector for maximum efficiency in general purpose retail, educational and industrial applications requiring upright and enclosed construction.

## ORDERING MATRIX

SAMPLE CATALOG NUMBER: HBE400PMT-PSC AR22 22FL

<b>HBE</b>						
<b>BALLAST ASSEMBLY</b> HBE		<b>LAMP SOURCE<sup>8</sup></b> M - Metal Halide S - High Pressure Sodium P - Pulse Start Metal Halide (Ballast option must also be specified)		<b>OPTIONS (add as suffix)</b> CUL - UL Listing to meet CSA standards WEB - Pulse Start Electronic Ballast (150, 200, 250, 340, 350, 400, 440, 450 watt only) Consult factory for available voltages and ambient temperature rating. EP - Encased and Potted core and coil ballast for quiet operation <sup>48</sup> HR - Hot Restrike (150W HPS only.) MR - Magnetic Regulated Ballast <sup>35</sup> PSC - Pulse Start CWA Ballast PSM - Pulse Start Magnetic Regulated Ballast (175, 200, 250 & 400 watt only.) PSR - Pulse Start Reactor Ballast (150, 200, 250, 320, 350, 400, 450 watt. 277 volt only.) Q - Quartz Standby QEM - Quartz Emergency <sup>40</sup> QTD - Quartz Time Delay WDF - Wired Double Fuse <sup>45</sup> WSF - Wired Single Fuse <sup>46</sup> HL - HI/LO Ballast <sup>45</sup> NFZ - Non Food Zone		<b>LENS ASSEMBLY</b> 16FL - 16" Flat Acrylic Lens 16CL - 16" Conical Acrylic Lens 16DL - 16" Drop Acrylic Lens 19FL - 19" Flat Acrylic Lens 19CL - 19" Conical Acrylic Lens 22FL - 22" Flat Acrylic Lens 22CL - 22" Conical Acrylic Lens 22DL - 22" Drop Acrylic Lens 25FL - 25" Flat Acrylic Lens 25DL - 25" Drop Acrylic Lens
<b>WATTAGE</b> 150 - 150 175 - 175 <sup>4</sup> 200 - 200 <sup>31</sup> 250 - 250 320 - 320 <sup>30</sup> 340 - 340 <sup>30</sup> 350 - 350 <sup>30</sup> 400 - 400 440 - 440 <sup>30</sup> 450 - 450 <sup>30</sup>		<b>VOLTAGE</b> 12 - 120 20 - 208 24 - 240 27 - 277 34 - 347 48 - 480 2T - 208/277 MT - 120/208 240/277 TT - 120/277 347				<b>OPTICAL ASSEMBLY</b> AR16 - Open 16" Acrylic Reflector AR19 - Open 19" Acrylic Reflector AR22 - Open 22" Acrylic Reflector AR25 - Open 25" Acrylic Reflector

### ACCESSORIES (ORDER SEPARATELY)

- |  |   |
|--|---|
| CH - Cover Half for Power Hook (use with PB) | WCG25 - Wire Cage 22" and 25" Acrylic                                   |
| PB - Power Box for Power Hook (use with CH)  | WGA16 - Wire Guard 16" Acrylic  |
| HP12 - Hook-Cord-Plug Assembly 120V          | WGA19 - Wire Guard 19" Acrylic  |
| HP25 - Hook-Cord-Plug Assembly 208-240V      | WCG19D - Wire Guard 19" Acrylic (for use with AR19 w/EP option)         |
| HP27 - Hook-Cord-Plug Assembly 277V          | WGA22 - Wire Guard 22" Acrylic  |
| HP48 - Hook-Cord-Plug Assembly 480V          | WGA25 - Wire Guard 25" Acrylic  |
| HMR - Suspension Hook Male                   | WCG25D - Wire Guard 25" Acrylic (for use with 25DL or AR22 w/EP option) |
| LMR - Suspension Loop Male                   |   |
| SCB3 - Ballast Retainer Chain 3'             |   |
| WCG19 - Wire Cage 16" and 19" Acrylic        |   |

### Footnotes:

- <sup>4</sup>Not available in High Pressure Sodium
- <sup>5</sup>Coated lamp recommended.
- <sup>30</sup>Pulse Start Metal Halide Only.
- <sup>31</sup>Not available in standard Metal Halide.
- <sup>35</sup>Available 150 - 400W High Pressure Sodium.
- <sup>40</sup>Requires 120V secondary power supply.
- <sup>45</sup>Use with 208, 240, and 480 volt.
- <sup>46</sup>Use with 120, 277, and 347 volt.
- <sup>48</sup>May require deep ballast housing.
- <sup>49</sup>Must specify voltage.

### General Notes:

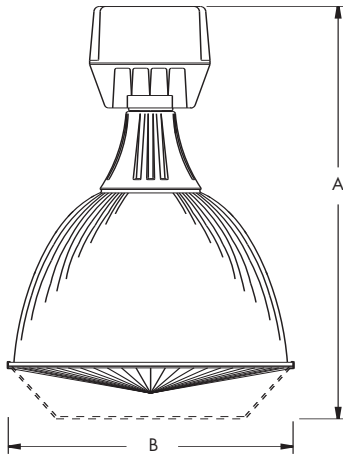
All accessories are field installed.  
 Mogul base lamp only.  
 All options factory installed.

**Warning:** Refer to and follow the lamp manufacturer's warnings and instructions.

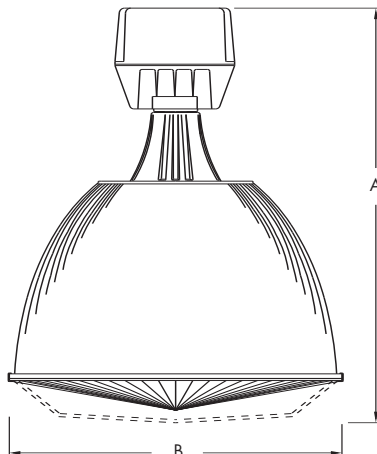
(Refer to Section 18000 for additional accessories.)

## DIMENSIONS

AR16 & AR19



AR22 & AR25



Note: Add 2.5" to all height dimensions for EP option.

## ENERGY DATA

### HIGH PRESSURE SODIUM

HX BALLAST INPUT WATTS
150 watt-188 watts
CWA BALLAST INPUT WATTS

200 watt-240 watts
250 watt-295 watts
310 watt-365 watts
400 watt-464 watts

### METAL HALIDE

HX BALLAST INPUT WATTS
150 watt-185 watts
BALLAST INPUT WATTS

	CWA	WEB
150 watt	189 watts	163 watts
175 watt	210 watts	-
200 watt	232 watts	213 watts
250 watt	295 watts	263 watts
320 watt	368 watts	-
350 watt	400 watts	363 watts
400 watt	458 watts	413 watts
450 watt	508 watts	465 watts

### A DIMENSION

<b>AR16</b>
FL - 24-5/16" (617.5mm)
CL - 26-1/16" (661.9mm)
DL - 27-5/8" (701.6mm)
<b>AR19</b>
FL - 25-5/16" (642.9mm)
CL - 27-1/16" (687.3mm)
<b>AR22</b>
FL - 26-3/16" (665.1mm)
CL - 28-5/16" (719.1mm)
DL - 28-15/16" (735mm)
<b>AR25</b>
FL - 28-15/16" (735mm)
DL - 32" (812.8mm)

### B DIMENSION

<b>AR16</b>
16-1/4" (412.8mm)
<b>AR19</b>
19-3/16" (487.4mm)
<b>AR22</b>
22-7/16" (569.9mm)
<b>AR25</b>
25-3/8" (644.5mm)

**HB-10140.2**

HBE400-HIGH BAY AR16, AR19, AR22 & AR25

## HBE COATED 400W MH AR22-22FL/POSITION 3

MEDIUM SPREAD S/MH = 1.7

TEST NO. 19333

DISTRIBUTION CURVE	COEFFICIENTS OF UTILIZATION										AVERAGE BRIGHTNESS				ZONAL SUMMARY				CANDLEPOWER					
	EFFECTIVE FLOOR CAVITY REFLECTANCE 20 PER (pfc=0.20)										ZONE	END	45	CROSS	Degrees	Lumens	% Lamp	% Fixture	Angle	Avg. Candela	Angle	Avg. Candela		
	CEIL	80	70	50	30	10						45	21528	20183	20683	(0-30)	7529	20.9	25.4					
	WALL	70	50	30	10	70	50	30	10	50	30	10	50	30	10	50	30	10	50	30	10	50	30	10
	RCR	0	94	94	94	90	90	90	83	83	83	76	76	76	70	70	70	70	70	70	70	70	70	70
	1	86	82	79	76	82	79	76	73	73	70	68	67	65	63	61	60	59						
	2	79	73	67	63	75	70	65	61	64	61	57	60	57	54	55	53	50						
	3	73	65	59	54	69	62	57	52	58	53	49	53	50	47	50	47	44						
	4	67	58	51	46	64	56	50	45	52	47	43	48	44	41	45	41	39						
	5	62	52	45	40	59	50	44	39	47	42	38	44	39	36	41	37	34						
	6	57	47	40	36	55	46	39	35	43	37	33	40	35	32	37	33	30						
	7	53	43	36	32	51	42	35	31	39	34	30	37	32	28	34	30	27						
8	50	39	33	28	48	38	32	28	36	30	27	34	29	26	32	28	25							
9	46	36	30	25	44	35	29	25	33	28	24	31	26	23	29	25	22							
10	43	33	27	23	42	32	26	22	30	25	22	29	24	21	27	23	20							
COMPARATIVE YEARLY LIGHTING ENERGY COST PER 1000 LUMENS = \$3.69 BASED ON 3000 HRS. AND \$.08 PER KWH. LER-65																45		45		45		45		
These photometric results were obtained in the Day-Brite Lighting Laboratory which is NVLAP accredited by the National Institute of Standards and Technology.																45		45		45		45		

ADDITIONAL TEST NUMBERS

AR22-22FL 250 WATT		METAL HALIDE	
SOCKET	S/MH	TEST NUMBER	
POSITION 1	1.4	19292	
POSITION 2	1.5	19293	
POSITION 3	1.6	19294	
POSITION 4	1.9	19295	
POSITION 5	2.1	19296	
POSITION 6	2.2	19297	

AR22-22FL 400 WATT		METAL HALIDE	
SOCKET	S/MH	TEST NUMBER	
POSITION 1	1.5	19331	
POSITION 2	1.6	19332	
POSITION 3	1.7	19333	
POSITION 4	2.0	19334	
POSITION 5	2.1	19335	
POSITION 6	2.2	19336	

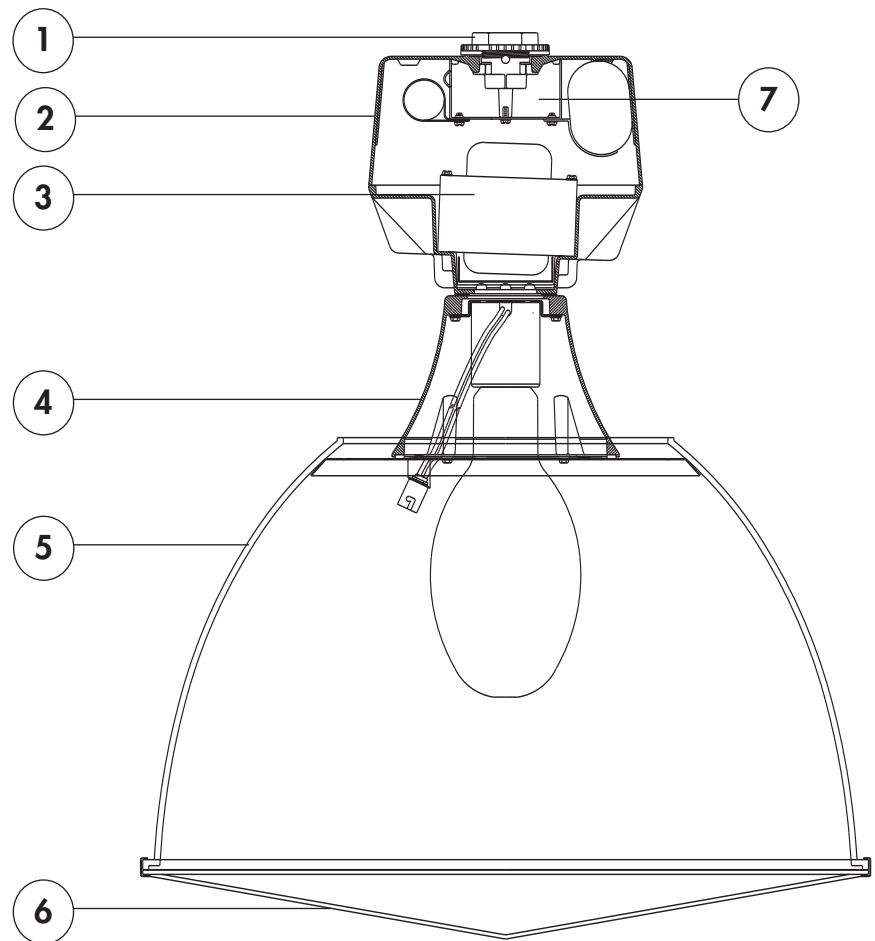
AR25-25FL 400 WATT		METAL HALIDE	
SOCKET	S/MH	TEST NUMBER	
POSITION 1	1.0	19355	
POSITION 2	1.1	19356	
POSITION 3	1.2	19357	
POSITION 4	1.5	19358	
POSITION 5	1.6	19359	
POSITION 6	1.7	19360	

PRODUCT FEATURES

UL 1598 Listed suitable for damp location n. 55°C ambient for all lamp wattages listed with magnetic ballast. Consult factory for ambient temperature rating for electronic ballast (WEB option).

- 3/4" threaded cast aluminum nut and hub for easy, positive mounting.
- Heavy wall, two piece die cast aluminum housing with white polyester powder finish.
- Day-Brite "Slant 2" ballast mounting for cooler operation. Ballast has high temperature class H insulation and a minimum starting temperature of -40°C (-40°F) for HPS and Pulse Start MH or -30°C (-20°F) for MH.
- Die cast aluminum neck provides positive mounting of reflector to ballast assembly and field adjustable light distribution patterns.
- Injection molded 100% virgin acrylic prismatic reflector.
- Acrylic lens: conical, drop or flat.
- Large wiring access with captive retainer screw.

ENCLOSED ACRYLIC TEMPERATURE GUIDELINES		
Lamp Wattage	175	200/250/320/350/400/450
Ambient Temp	40°C	40°C
Reflector/Lens		
AR16/16FL	✓	
AR16/16CL	✓	
AR16/16DL	✓	
AR19/19FL	✓	
AR19/19CL	✓	
AR22/22FL	✓	✓
AR22/22CL	✓	✓
AR22/22DL	✓	✓
AR25/25FL	✓	✓
AR25/25DL	✓	✓



Visit our web site at [www.daybritelighting.com](http://www.daybritelighting.com)