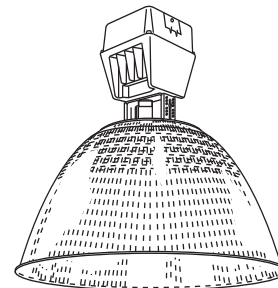


JOB NAME _____
 TYPE _____

HBO OPEN HIGH BAY ACRYLIC REFLECTOR

400-1000 watt Metal Halide
 400-1000 watt High Pressure Sodium
 400-875 watt Pulse Start Metal Halide



The HBO1000 Open High Bay Luminaire features an open, acrylic reflector for maximum efficiency in general purpose retail, educational and industrial applications where upright light is required.

ORDERING MATRIX

SAMPLE CATALOG NUMBER: HBO10XMMT AR25

HBO			
BALLAST ASSEMBLY HBO		LAMP SOURCE⁸ M - Metal Halide S - High Pressure Sodium P - Pulse Start Metal Halide (Ballast option must also be specified)	
	WATTAGE 400 - 400 450 - 450 ³⁰ 875 - 875 ³⁰ 10X - 1000 ³³	VOLTAGE 12 - 120 20 - 208 24 - 240 27 - 277 34 - 347 48 - 480 MT - 120/208 240/277 TT - 120/277 347	

		OPTIONS (add as suffix) CUL - UL Listing to meet CSA standards EP - Encased and Potted core and coil ballast for quiet operation ^{47, 48} OR - Open Rated Socket PSC - Pulse Start CWA Ballast PSM - Pulse Start Magnetic Regulated Ballast (400 watt only.) PSR - Pulse Start Reactor Ballast (400 & 450 watt. 277 volt only.) Q - Quartz Standby QEM - Quartz Emergency ⁴⁰ QTD - Quartz Time Delay WDF - Wired Double Fuse ⁴⁵ WSF - Wired Single Fuse ⁴⁶ HL - HI/LO Ballast ⁵⁶ NFZ - Non Food Zone	OPTICAL ASSEMBLY AR25 - Open 25" Acrylic Reflector
--	--	---	--

Footnotes:
⁸Coated lamp recommended.
³⁰Pulse Start Metal Halide Only.
³³Not available in Pulse Start Metal Halide.
⁴⁰Requires 120V secondary power supply.
⁴⁵Use with 208, 240, and 480 volt.
⁴⁶Use with 120, 277, and 347 volt.
⁴⁷Consult factory for availability of 750 & 1000 watt.
⁴⁸May require deep ballast housing.
⁵⁶Must specify voltage.

General Notes:
 All accessories are field installed.
 Mogul base lamp only.
 All options factory installed.

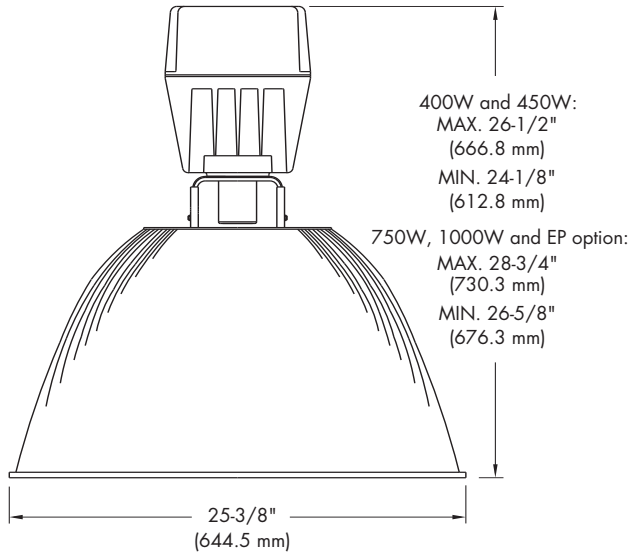
Warning: Many Metal Halide lamps are rated for enclosed fixtures only. Some lamps are specifically rated for open fixtures and require an open rated socket (option code-"OR"). Refer to and follow the lamp manufacturer's warnings and instructions.

- ACCESSORIES (ORDER SEPARATELY)**
 CH - Cover Half for Power Hook (use with PB)
 PB - Power Box for Power Hook (use with CH)
 HP12 - Hook-Cord-Plug Assembly 120V
 HP25 - Hook-Cord-Plug Assembly 208-240V
 HP27 - Hook-Cord-Plug Assembly 277V
 HP48 - Hook-Cord-Plug Assembly 480V
 HMR - Suspension Hook Male
 LMR - Suspension Loop Male
 SCB3 - Ballast Retainer Chain 3'
 WCG25 - Wire Cage 25" Acrylic
 WGA25 - Wire Guard 25" Acrylic
 WCG25D - Wire Cage 25" Acrylic (use w/25DL or EP option)

- LENS ACCESSORIES (ORDER SEPARATELY)**
 25FL - 25" Flat Acrylic Lens (450W max)
 25DL - 25" Drop Acrylic Lens (450W max)

(Refer to Section 18000 for additional accessories.)

DIMENSIONS



ENERGY DATA

HIGH PRESSURE SODIUM
CWA BALLAST INPUT WATTS
400 watt-464 watts
1000 watt-1100 watts
METAL HALIDE
CWA BALLAST INPUT WATTS
400 watt-458 watts
450 watt-508 watts
750 watt-810 watts
1000 watt-1080 watts

HBO COATED 1000W MH AR25/POSITION 4

MEDIUM SPREAD S/MH = 1.9

TEST NO. 18448

DISTRIBUTION CURVE	COEFFICIENTS OF UTILIZATION	AVERAGE BRIGHTNESS				ZONAL SUMMARY				CANDLEPOWER			
		ZONE	END	45	CROSS	Degrees	Lumens	% Lamp	% Fixture	Angle	Avg. Candela	Angle	Avg. Candela
	EFFECTIVE FLOOR CAVITY REFLECTANCE 20 PER (pfc=0.20)	45	47463	40176	46265	(0-30)	19138	18.2	20.8				
	CEIL 80	55	30838	24857	29295	(0-40)	35474	33.8	38.6	0	17602	95	3832
	WALL 70 50 30 10	65	15371	12413	15435	(0-60)	62481	59.5	67.9	5	17500	105	3751
	RCR	75	10308	7989	10429	(0-90)	75803	72.2	82.4	15	19565	115	3291
	0 101101101101	85	13653	9958	13491	(90-180)	16204	15.4	17.6	25	25655	125	2561
	1 91 87 83 80	COMPARATIVE YEARLY LIGHTING ENERGY COST PER 1000											
	2 83 76 71 66	LUMENS = \$2.82 BASED ON 3000 HRS. AND \$.08 PER KWH.											
	3 76 67 60 55	LER=85											
	4 70 60 52 47	These photometric results were obtained in the Day-Brite Lighting Laboratory which is NVLAP											
	5 64 53 46 40	accredited by the National Institute of Standards and Technology.											
	6 59 48 40 35												
	7 55 43 36 30												
	8 51 39 32 27												
	9 47 36 29 24												
10 44 33 26 21													

ADDITIONAL TEST NUMBERS

AR25 400 WATT	S/MH	METAL HALIDE	TEST NUMBER
POSITION 1	1.0		18444
POSITION 2	1.1		18443
POSITION 3	1.2		18442
POSITION 4	1.5		18441
POSITION 5	1.6		18440
POSITION 6	1.7		18439

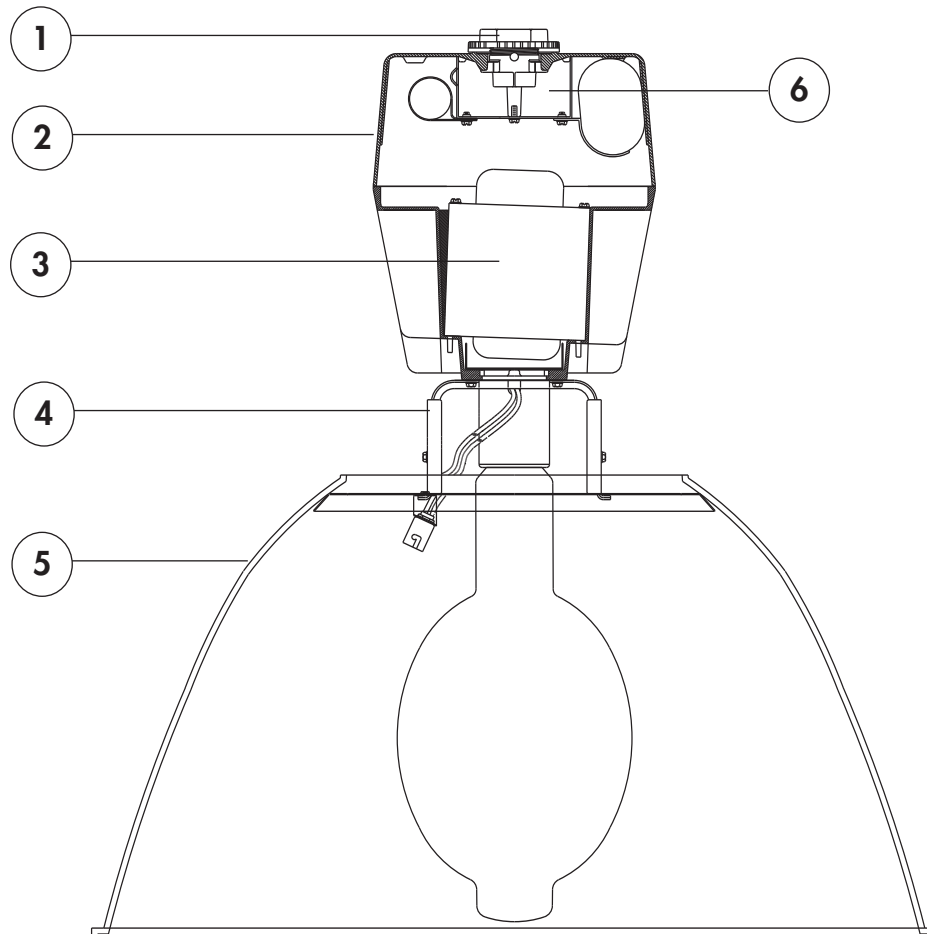
AR25 1000 WATT	S/MH	HPS	TEST NUMBER
POSITION 1	0.8		18456
POSITION 2	1.0		18455
POSITION 3	1.1		18454
POSITION 4	1.8		18453
POSITION 5	2.0		18452
POSITION 6	2.2		18451

AR25 1000 WATT	S/MH	METAL HALIDE	TEST NUMBER
POSITION 1	1.7		18450
POSITION 2	1.8		18449
POSITION 3	1.8		18448
POSITION 4	2.0		18447
POSITION 5	2.0		18446
POSITION 6	2.1		18445

PRODUCT FEATURES

UL 1598 Listed suitable for damp location and 40°C ambient (55°C ambient for 400W).

- 3/4" threaded cast aluminum nut and hub for easy, positive mounting.
- Heavy wall, two piece die cast aluminum housing with white polyester powder finish.
- Day-Brite "Slant 2" ballast mounting for cooler operation. Ballast has high temperature class H insulation and a minimum starting temperature of -40°C (-40°F) for HPS and Pulse Start MH or -30°C (-20°F) for MH.
- Heavy gauge yoke provides positive mounting of reflector to ballast assembly and field adjustable light distribution patterns.
- Injection molded 100% virgin acrylic prismatic reflector.
- Large wiring access with captive retainer screw.



Visit our web site at www.dcolighting.com

HB-10150.1

776 South Green Street Tupelo, MS 38804 Phone: 662-842-7212 Fax: 662-841-5501
 189 Bullock Drive Markham, Ontario Canada L3P 1W4 Phone: 905-294-9570 Fax: 905-294-8911
 Day-Brite Lighting reserves the right to make changes without notice. ©May 2007. DL0507
 Day-Brite Lighting is a Genlyte Thomas Group.

