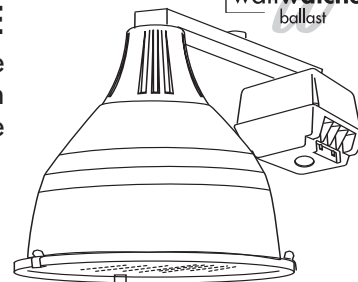


JOB NAME _____
 TYPE _____

LPE ENCLOSED HIGH BAY LOW PROFILE

150-1000 watt Metal Halide
 150-1000 watt High Pressure Sodium
 150-1000 watt Pulse Start Metal Halide



The LPE Enclosed High Bay Low Profile Luminaire features a side by side assembly for critical mounting heights in general purpose retail, educational and industrial applications.

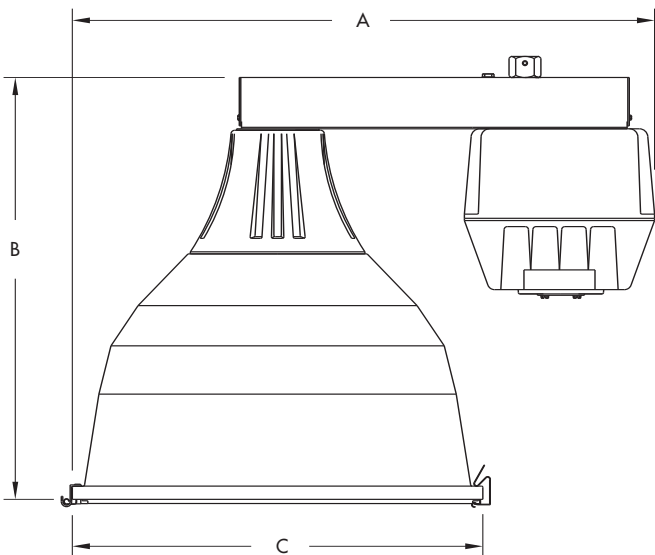
Day-Brite Lighting

ORDERING MATRIX

SAMPLE CATALOG NUMBER: LPE400PMT-PSC A17E

LPE							
BALLAST ASSEMBLY LPE		LAMP SOURCE M - Metal Halide S - High Pressure Sodium P - Pulse Start Metal Halide (Ballast option must also be specified)		MOUNTING OPTIONS H - Suspension Hook Mounting C - Ceiling/Surface Mounting P - Pendant Mounting, 3/4" NPS			OPTICAL ASSEMBLY A16E - Enclosed 16" Aluminum Reflector (450W max) A17E - Enclosed 17" Aluminum Reflector (450W max) A17EU - Enclosed 17" Aluminum Reflector with uplight (450W max) A24E - Enclosed 24" Aluminum Reflector (750 & 1000W MH only) A24SE - Enclosed 24" Aluminum Reflector (1000W HPS only)
WATTAGE 150 - 150 175 - 175 ⁴ 200 - 200 ³¹ 250 - 250 320 - 320 ³⁰ 340 - 340 ³⁰ 350 - 350 ³⁰ 400 - 400 450 - 450 ³⁰ 440 - 440 ³⁰ 750 - 750 ³⁰ 10X - 1000		VOLTAGE 12 - 120 20 - 208 24 - 240 27 - 277 34 - 347 48 - 480 2T - 208/277 MT - 120/208 240/277 TT - 120/277 347 DH - 347/480 ⁸²		OPTIONS (add as suffix) CUL - UL Listing to meet CSA standards WEB - Pulse Start Electronic Ballast (150, 200, 250, 340, 350, 400, 440, 450 watt only) Consult factory for available voltages and ambient temperature rating. EP - Encased and Potted core and coil ballast for quiet operation ^{47,48} MR - Magnetic Regulated Ballast ³⁵ PSC - Pulse Start CWA Ballast PSM - Pulse Start Magnetic Regulated Ballast (175, 200, 250 & 400 watt only.) PSR - Pulse Start Reactor Ballast (150, 200, 250, 320, 350, 400, 450 watt. 277 volt only.) Q - Quartz Standby QEM - Quartz Emergency ⁴⁰ QTD - Quartz Time Delay WDF - Wired Double Fuse ⁴⁵ WSF - Wired Single Fuse ⁴⁶ HL - HI/LO Ballast ⁵⁶ 65 - 65°C Ambient		OPTICAL OPTIONS WT - Reflector finished inside and out with White Polyester Powder Coating SIL - Day-Sil™ Silicone finish on reflector (Not available with "WT" option)	
ACCESSORIES (ORDER SEPARATELY) CH - Cover Half for Power Hook (use with PB) PB - Power Box for Power Hook (use with CH) HP12 - Hook-Cord-Plug Assembly 120V HP25 - Hook-Cord-Plug Assembly 208-240V HP27 - Hook-Cord-Plug Assembly 277V HP48 - Hook-Cord-Plug Assembly 480V HMR - Suspension Hook Male LMR - Suspension Loop Male SCB3 - Ballast Retainer Chain 3' WGN16/17 - Wire Guard 16" and 17" Aluminum WGN24 - Wire Guard 24" Aluminum (Refer to Section 18000 for additional accessories.)						Footnotes: ⁴ Not available in High Pressure Sodium ³⁰ Pulse Start Metal Halide Only. ³¹ Not available in standard Metal Halide. ³⁵ Available in 150-400W High Pressure Sodium. ⁴⁰ Requires 120 volt secondary power supply. ⁴⁵ Use with 208, 240, and 480 volt. ⁴⁶ Use with 120, 277, and 347 volt. ⁴⁷ Consult factory for availability of 750 & 1000 watt. ⁴⁸ May require deep ballast housing. ⁵⁶ Must specify voltage. ⁸² 1000 watt Pulse Start CWA Metal Halide ballast only.	
				General Notes: All accessories are field installed. Mogul base lamp only. All options factory installed.		Warning: Refer to and follow the lamp manufacturer's warnings and instructions.	

DIMENSIONS



A DIMENSIONS	
A16E, A17E & A17EU	25" (635mm)
A24E & A24SE	28-1/2" (723.9mm)
B DIMENSIONS	
A16E	15-7/8" (403.2mm)
A17E	17-1/2" (444.5mm)
A17EU	17-1/2" (444.5mm)
A24E & A24SE	21-1/4" (539.8mm)
C DIMENSIONS	
A16E, A17E & A17EU	17-1/2" (444.5mm)
A24E & A24SE	24-1/2" (622.3mm)

ENERGY DATA

HIGH PRESSURE SODIUM

HX BALLAST INPUT WATTS	
150 watt	188 watts
CWA BALLAST INPUT WATTS	
200 watt	240 watts
250 watt	295 watts
310 watt	365 watts
400 watt	464 watts
750 watt	840 watts
1000 watt	1100 watts

METAL HALIDE

HX BALLAST INPUT WATTS		
150 watt	185 watts	
CWA BALLAST INPUT WATTS		
CWA	WEB	
150 watt	189 watts	163 watts
175 watt	210 watts	-
200 watt	232 watts	213 watts
250 watt	295 watts	263 watts
320 watt	368 watts	-
350 watt	400 watts	363 watts
400 watt	458 watts	413 watts
450 watt	508 watts	465 watts
750 watt	810 watts	-
1000 watt	1080 watts	-

HB-10210.1

LPE-ENCLOSED HIGH BAY LOW PROFILE

PHOTOMETRICS

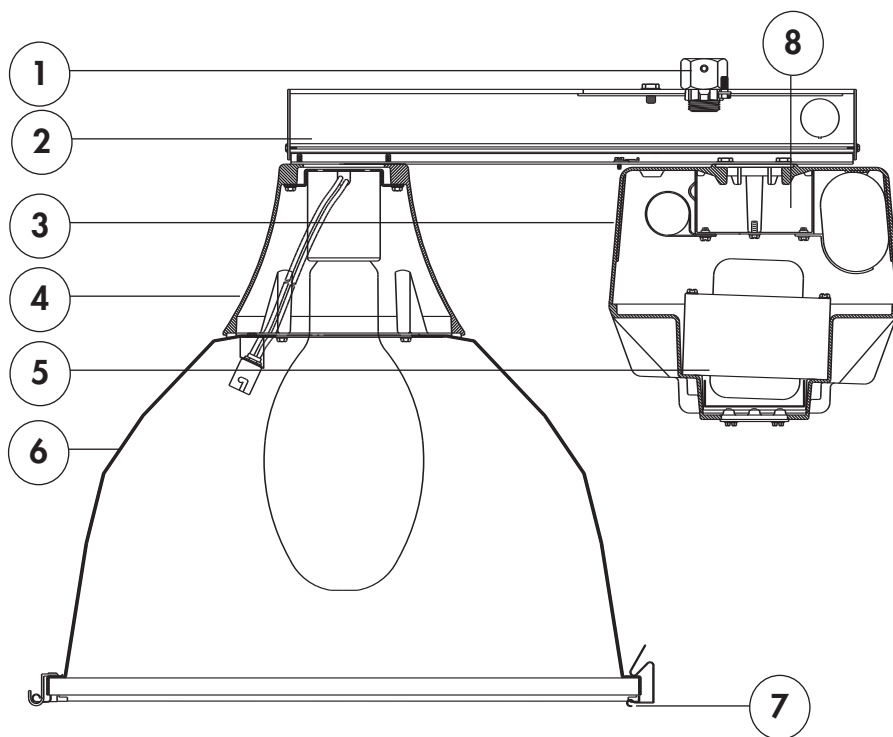
For complete photometric information on the low profile high bays, please see the following specification sheets:

A16E & A17E:	HB-10060
A24E & A24SE:	HB-10080
A17EU	HB-10020

PRODUCT FEATURES

UL 1598 Listed suitable for damp location and 55°C ambient for all lamp wattages listed with magnetic ballast. Consult factory for ambient temperature rating for electronic ballast (WEB option).

1. Die cast 3/4" hub for easy, positive mounting.
2. Low profile mounting arm is the solution for crucial mounting heights.
3. Heavy wall, two piece die cast aluminum housing with white polyester powder finish.
4. Die cast aluminum neck provides positive mounting of reflector to mounting arm and field adjustable light distribution patterns.
5. Day-Brite "Slant 2" ballast mounting for cooler operation. Ballast has high temperature class H insulation and a minimum starting temperature of -40°C (-40°F) for HPS and Pulse Start MH or -30°C (-20°F) for MH.
6. Precision spun heavy gauge aluminum reflector with clear anodized finish.
7. Hinged door with tempered glass lens.
8. Large wiring access with captive retainer screw.



Visit our web site at www.daybritelighting.com

776 South Green Street Tupelo, MS 38804 Phone: 662-842-7212 Fax: 662-841-5501

HB-10210.1

189 Bullock Drive Markham, Ontario Canada L3P 1W4 Phone: 905-294-9570 Fax: 905-294-8911
Day-Brite Lighting reserves the right to make changes without notice. ©August 2004. DL2.5M0804
Day-Brite Lighting is a Genlyte Thomas Group.

 **Day-Brite Lighting**