

JOB NAME _____

TYPE _____

HI/LO CONTROL WIRE

100-1000 watt Metal Halide
70-1000 watt High Pressure Sodium
150-1000 watt Pulse Start Metal Halide

The Control Wire HI/LO System communicates via a single high voltage wire. Luminaires may be controlled by motion detector or manual override.

ORDERING MATRIX

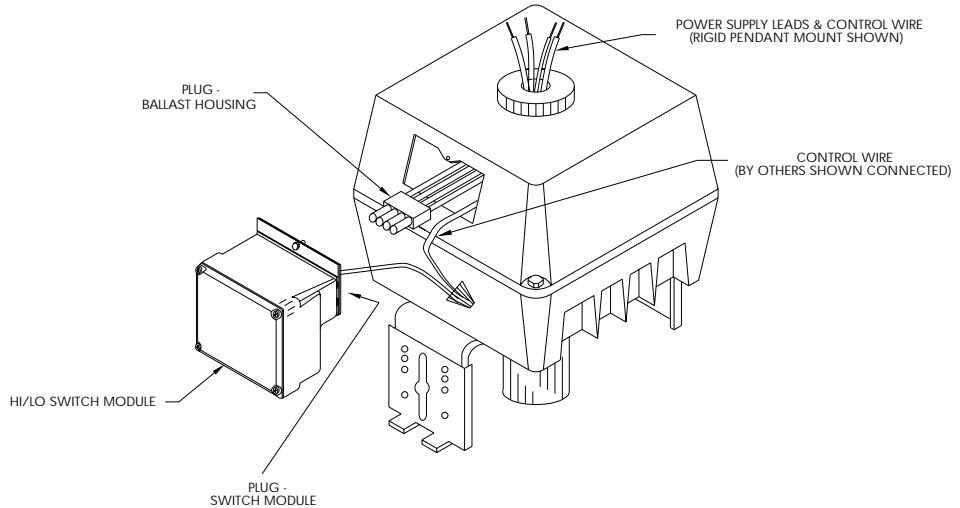
HLSM

FAMILY

HLSM - HI/LO Control Wire Receiver/Switching Module

Note: Special consideration should be made for fixtures using a hook, cord, and plug assembly. A 4-wire cord and plug may be ordered.

Warning: Power must be off to all fixtures and HI/LO components before servicing. Control wire may carry voltage if any components are energized.



PRODUCT FEATURES

- Luminaire must be equipped with HI/LO Ballast option (-HL)
- Universal voltage: 120-480V
- Fifteen minute initial lamp warm-up period when powered on
- UL Listed suitable for wet location and 65°C ambient
- Five minute time delay before changing to "LO" mode
- Control wire is high voltage (same as luminaire)
- Control wire may be run in conduit or Electro/Connect Modular Wiring along with main power wiring

ORDERING MATRIX

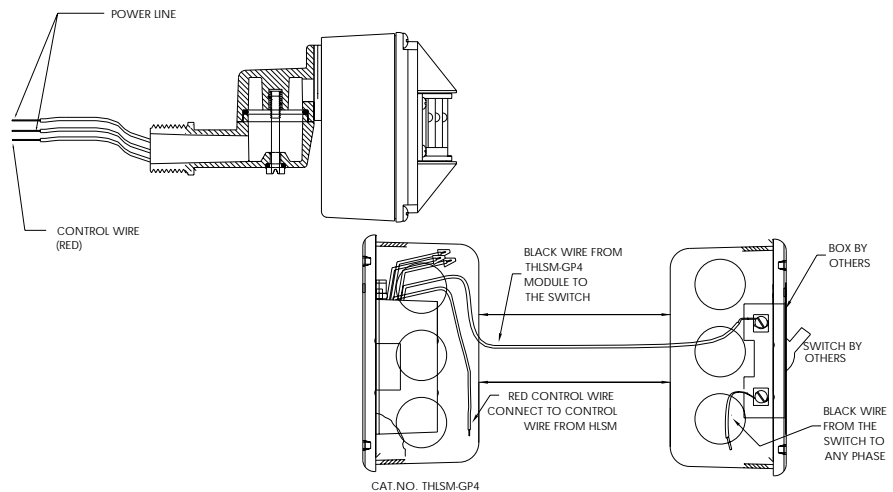
THLSM

FAMILY

THLSM - HI/LO Control Wire Transmitter

CONTROL TYPE

- IR - Passive Infrared
- GP4 - General Purpose

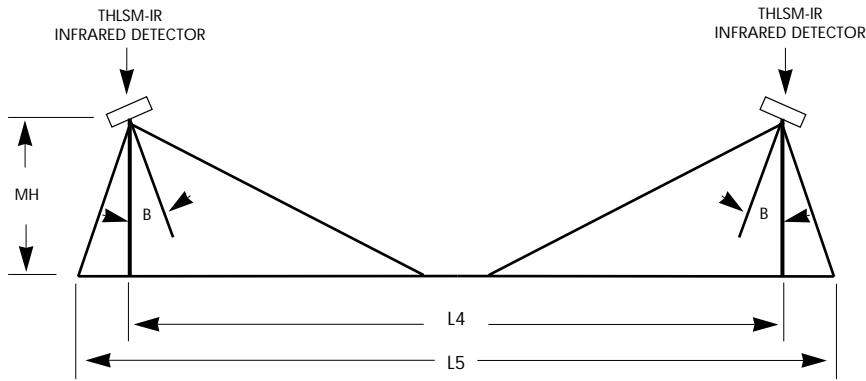


PRODUCT FEATURES

- Universal voltage: 120-480V
- UL Listed suitable for wet location and 65°C ambient
- Control wire is high voltage (same as luminaire)
- Control wire may be run in conduit or Electro/Connect Modular Wiring along with main power wiring
- Passive infrared motion detector with aisle distribution (THLSM-IR)
- Sensitivity adjustment (THLSM-IR).
- General purpose transmitter may be used with wall switches, photocells, time clocks, relays or other devices (THLSM-GP4)
- THLSM-IR may control up to thirty luminaires in one zone.
- THLSM-GP4 may control up to 4 zones of 30 luminaires each or up to 120 luminaires in a single zone

HC-17020

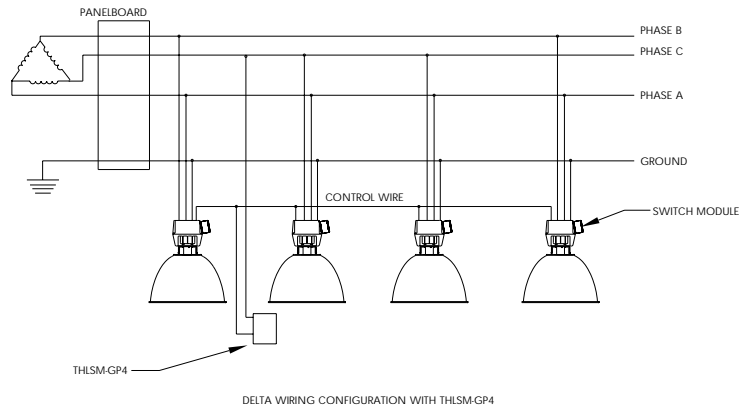
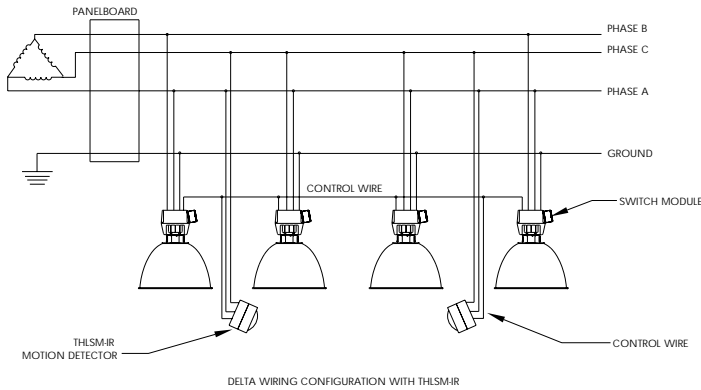
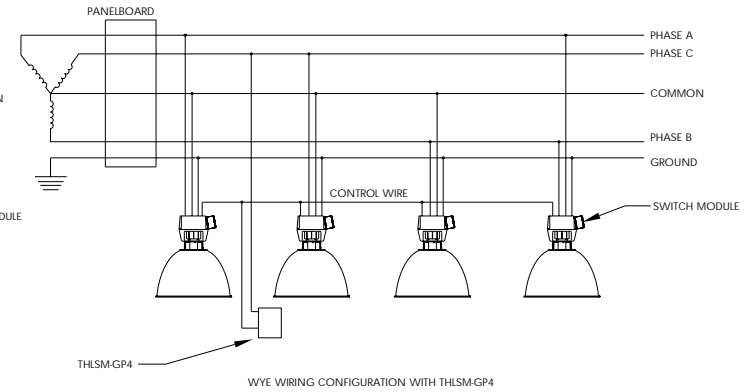
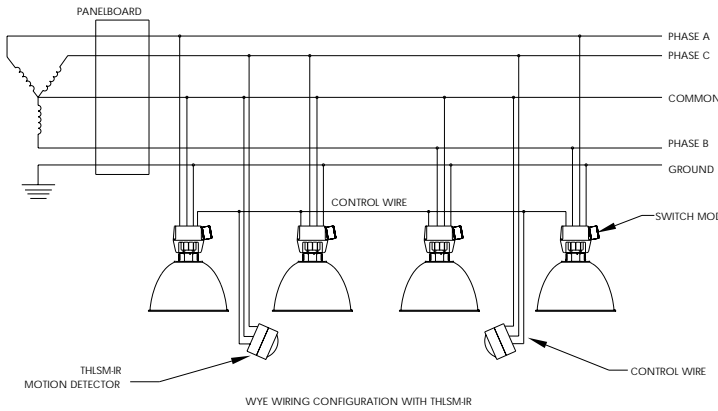
MOTION DETECTOR COVERAGE DIAGRAM



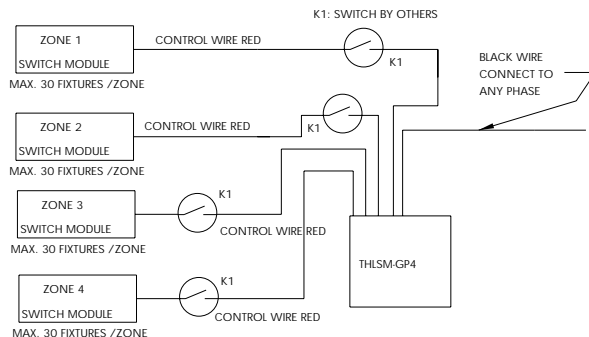
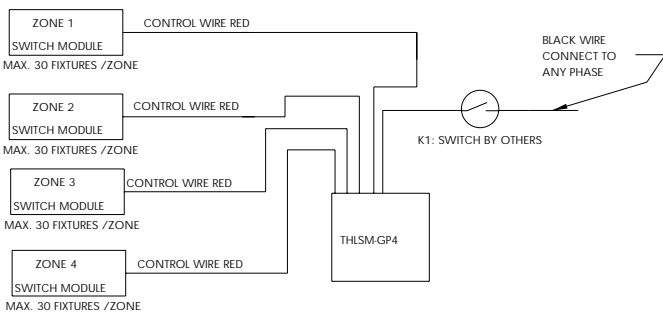
SENSOR COVERAGE AREA						
MOUNTING HEIGHT (MH)		DISTANCE BETWEEN TWO THLSM-IR AIMED AT EACH OTHER (L4)		TOTAL LENGTH COVERED (L5)		TILT ANGLE (B°)
ft.	m	ft.	m	ft.	m	
15	4.57	156	47.54	170	51.81	27
20	6.09	154	46.93	176	53.64	23
25	7.62	152	46.32	182	55.47	20
30	9.14	148	45.11	190	57.91	16
35	10.66	144	43.89	202	61.56	16
40	12.19	138	42.06	214	65.22	8
45	13.71	132	40.23	232	70.71	4
50	15.24	128	39.01	256	78.02	0

THLSM-IR

GP4



WIRING DIAGRAMS FOR GP4



Visit our web site at www.daybritelighting.com

776 South Green Street Tupelo, MS 38804 Phone: 662-842-7212 Fax: 662-841-5501

HC-17020

189 Bullock Drive Markham, Ontario Canada L3P 1W4 Phone: 905-294-9570 Fax: 905-294-8911
Day-Brite Lighting reserves the right to make changes without notice. ©September 2001. DL2.5M0901
Day-Brite Lighting is a Genlyte Thomas Group.

