

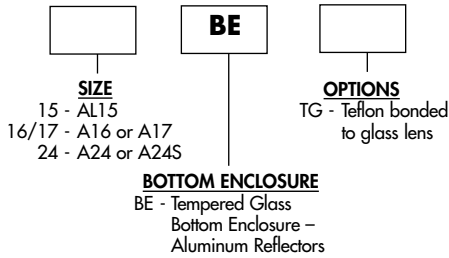
JOB NAME _____

TYPE _____

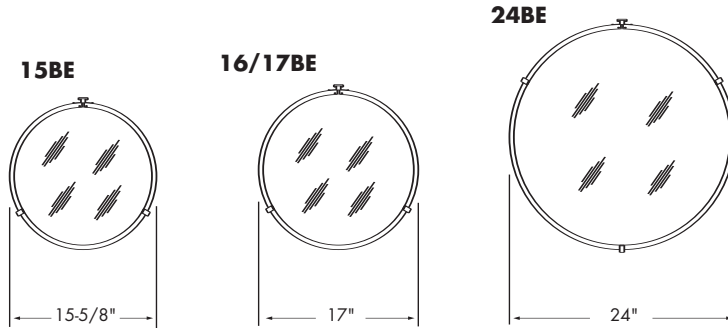
BOTTOM ENCLOSURES / WIRE GUARDS

ORDERING MATRIX

SAMPLE CATALOG NUMBER: 16/17BE

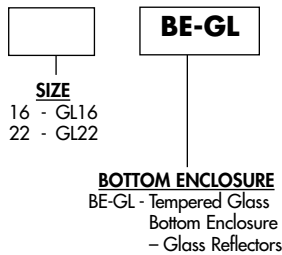


DIMENSIONS

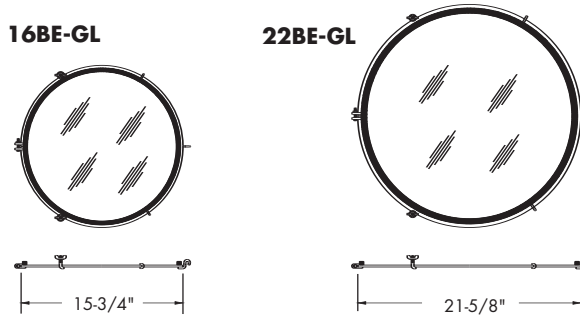


ORDERING MATRIX

SAMPLE CATALOG NUMBER: 16BE-GL

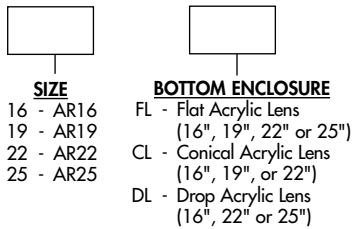


DIMENSIONS



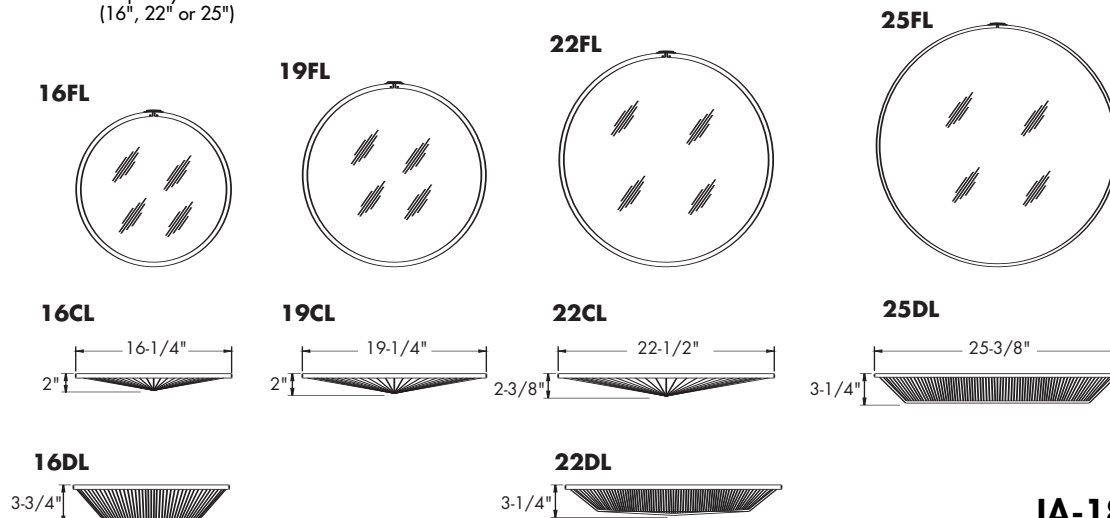
ORDERING MATRIX

SAMPLE CATALOG NUMBER: 19FL



DIMENSIONS

NOTE: Consult Specification Sheets for luminaires that use acrylic reflectors to find ambient temperature information.

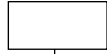


ORDERING MATRIX

SAMPLE CATALOG NUMBER: WGN16/17

WGN

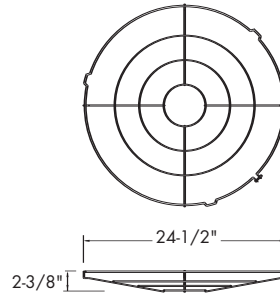
FAMILY
WGN - Wire Guard
Aluminum
Reflectors



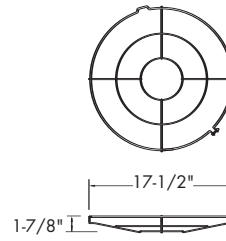
SIZE
16/17 - A16 or A17
24 - A24 or A24S

DIMENSIONS

WGN24



WGN16/17



ORDERING MATRIX

SAMPLE CATALOG NUMBER: WGA19

WGA

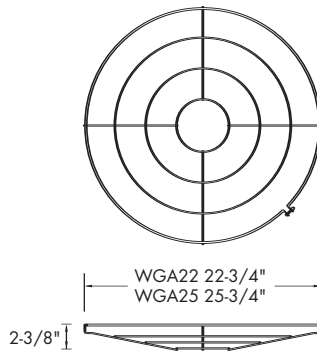
FAMILY
WGA - Wire Guard
Acrylic Reflectors



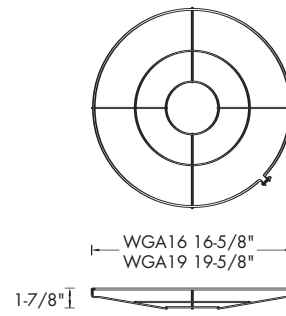
SIZE
16 - AR16
19 - AR19
22 - AR22
25 - AR25

DIMENSIONS

WGA22 & WGA25



WGA16 & WGA19

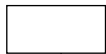


ORDERING MATRIX

SAMPLE CATALOG NUMBER: WGG16

WGG

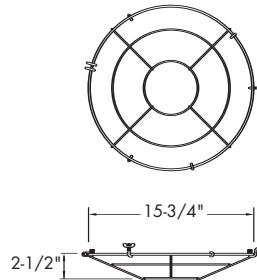
FAMILY
WGG - Wire Guard
Glass Reflectors



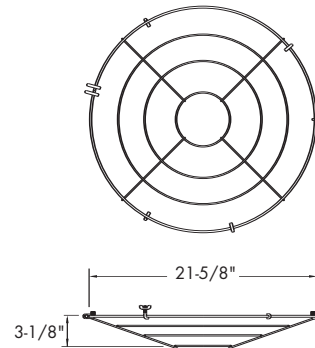
SIZE
16 - GL16
22 - GL22

DIMENSIONS

WGG16



WGG22



ORDERING MATRIX

SAMPLE CATALOG NUMBER: WGBRA

WG

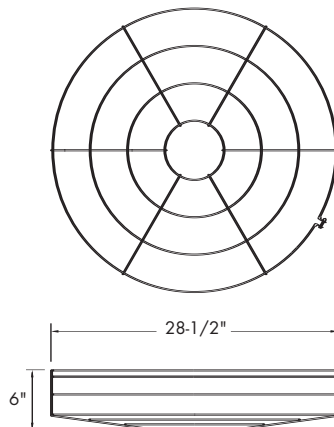
FAMILY
WG - Wire Guard
Low Bay
Reflectors



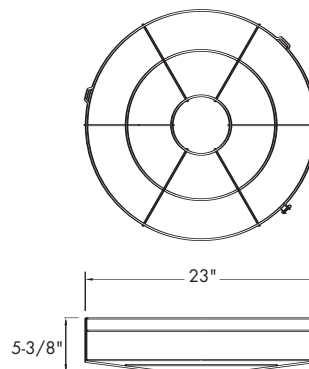
SIZE
LRA - LRA
BRA - BRA/CRA
LR23 - LR23

DIMENSIONS

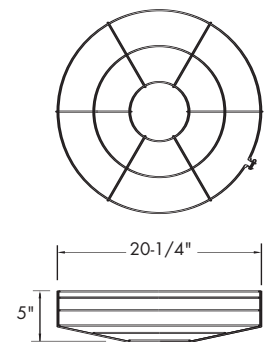
WGBRA



WGLR23



WGLRA



Visit our web site at www.daybritelighting.com

776 South Green Street Tupelo, MS 38804 Phone: 662-842-7212 Fax: 662-841-5501