

**Indoor Accessories****Remote Lighting Lifter**  
PFI-100**Specifier's Reference**

Project

Type

Model No.

Comments

**application**

- The PFI-100 Remote Lighting Lifter can remotely raise and lower luminaires that are positioned as high as 82 feet in the air.
- This unit also supplies the power to the luminaire and automatically turns it off when the luminaire begins to lower.
- Luminaires can be programmed to lower to specific heights or all the way to the floor.
- Safety design automatically stops lowering when luminaire comes in contact with any object.

**construction and features**

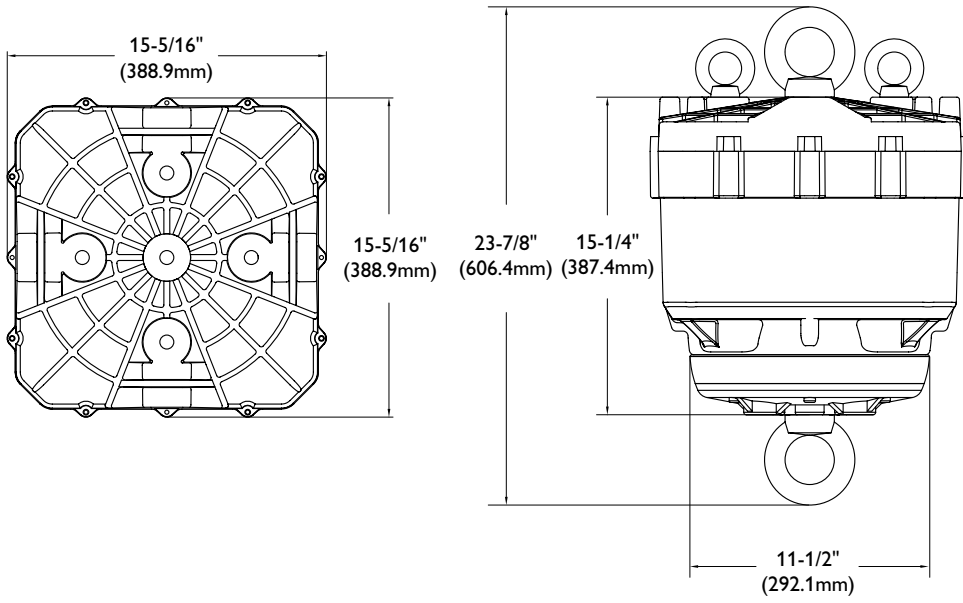
- The Lighting Lifter works with a hand held remote or with low voltage wiring.
- The Lighting Lifter can be 120 or 277 volt and supplies voltage to the fixture.
- The power is not turned on to the fixture until the lifter is in the "Home" position and the contacts are fully engaged. This eliminates any possible sparking and makes sure the electrical contacts do not wear out.
- The circular contacts ensure they always make contact when the lifter rises to the "Home" position.
- The Lifter can be programmed to stop at any height the customer desires.
- The Lighting Lifter can be operated one at a time, in groups, or the whole room all at once.
- The "remote control" can be used to turn the lights on and off while connected to the lifter.
- A special "locking system" holds the tension off the cable when the lowering device is in the "Home" position. This is a safety device to prevent the system from accidentally lowering.
- The Lighting Lifter is ETL approved.

**specifications**

- Lifting Weight : 110-220 lbs
- Lifting Distance : 82 ft.
- Number of Lifting Wires : 4
- Voltage : 120/277
- Net Weight of Lifter : 55 lbs
- Rated Current of Illuminator : 64 A
- Type of Electric Motor : BLDC
- Speed : 16.4 ft/min
- Lifting Wire OD : 3.0 mm

**Ordering: see the Lighting Lifter Quote Request Form to order**

dimensions



©2011 Philips Day-Brite  
All rights reserved.

776 South Green Street • Tupelo, MS 38804  
p. 800.234.1890 • f. 662.841.5501  
Canadian Division  
189 Bullock Drive • Markham, Ontario L3P 1W4  
p. 905.294.9570 • f. 905.294.9811

Contact Factory for Additional Configurations.  
Specifications are subject to change without notice.