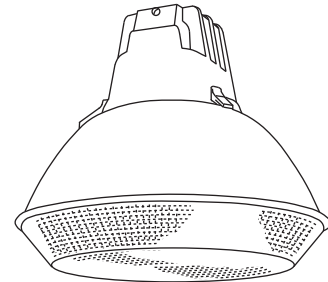


JOB NAME \_\_\_\_\_  
 TYPE \_\_\_\_\_

# LBN LOW BAY LUMINAIRE

150-400 watt Metal Halide  
 150-400 watt High Pressure Sodium  
 150-450 watt Pulse Start Metal Halide



The LBN Low Bay Luminaire offers the high efficiency general purpose industrial lighting for mounting height requirements of 30' and below.

**Day-Brite® Lighting**

## ORDERING MATRIX

SAMPLE CATALOG NUMBER: LBN400PMT-PSC CRA

<b>LBN</b>							
<b>BALLAST ASSEMBLY</b> LBN		<b>LAMP SOURCE</b> M - Metal Halide S - High Pressure Sodium P - Pulse Start Metal Halide (Ballast option must also be specified)		<b>OPTIONS (add as suffix)</b> CUL - UL Listing to meet CSA standards HR - Hot Restrike (150W HPS only) MR - Magnetic Regulated Ballast <sup>35</sup> PSC - Pulse Start CWA Ballast PSM - Pulse Start Magnetic Regulated Ballast (175, 200, 250 & 400 watt only.) PSR - Pulse Start Reactor Ballast (150, 200, 250, 320, 350, 400, 450 watt, 277 volt only.) Q - Quartz Standby QEM - Quartz Emergency <sup>40</sup> QTD - Quartz Time Delay WDF - Wired Double Fuse <sup>45</sup> WSF - Wired Single Fuse <sup>46</sup> HL - HI/LO Ballast <sup>56</sup> 55 - 55°C Ambient		<b>REFLECTOR ASSEMBLY</b> CRA - Acrylic Lens CRP - Polycarbonate Lens CRG - Acrylic Lens with Glass Overlay	
	<b>WATTAGE</b> 150 - 150 175 - 175 <sup>4</sup> 200 - 200 <sup>31</sup> 250 - 250 320 - 320 <sup>30</sup> 350 - 350 <sup>30</sup> 400 - 400 450 - 450 <sup>30</sup>		<b>VOLTAGE</b> 12 - 120 20 - 208 24 - 240 27 - 277 34 - 347 48 - 480 MT - 120/208 240/277 TT - 120/277 347			<b>OPTICAL OPTIONS</b> CFWL - Charcoal Filter Wet Location	

### ACCESSORIES (ORDER SEPARATELY)

- CH - Cover Half for Power Hook (use with PB)
  - PB - Power Box for Power Hook (use with CH)
  - HP12 - Hook-Cord-Plug Assembly 120V
  - HP25 - Hook-Cord-Plug Assembly 208-240V
  - HP27 - Hook-Cord-Plug Assembly 277V
  - HP48 - Hook-Cord-Plug Assembly 480V
  - HMR - Suspension Hook Male
  - LMR - Suspension Loop Male
  - SCB3 - Ballast Retainer Chain 3'
  - SCOP - Optical Retainer Chain
  - WGBRA/CRA - Wire Guard
- (Refer to Section 18000 for additional accessories.)

### Footnotes:

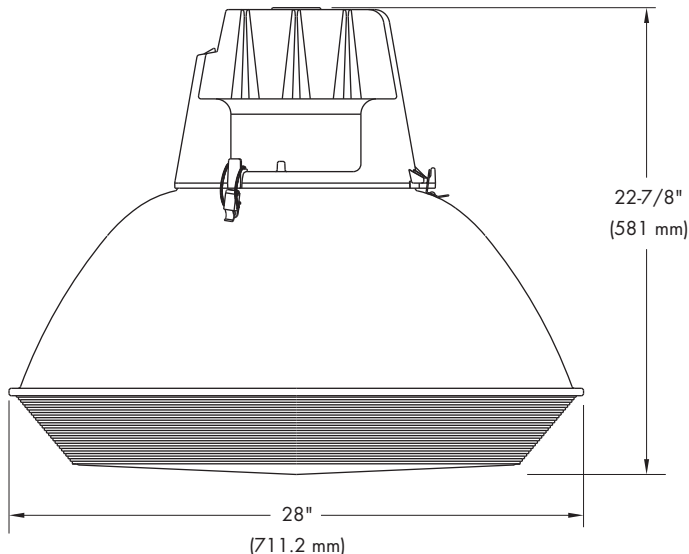
- <sup>4</sup>Not available in High Pressure Sodium
- <sup>30</sup>Pulse Start Metal Halide Only.
- <sup>31</sup>Not available in standard Metal Halide.
- <sup>35</sup>Available 150 - 400W High Pressure Sodium.
- <sup>40</sup>Requires 120 volt secondary power supply.
- <sup>45</sup>Use with 208, 240, and 480 volt.
- <sup>46</sup>Use with 120, 277, and 347 volt.
- <sup>56</sup>Must specify voltage.

### General Notes:

All accessories are field installed.  
 Mogul base lamp only.  
 All options factory installed.

**Warning:** Refer to and follow the lamp manufacturer's warnings and instructions.

## DIMENSIONS



## ENERGY DATA

### HIGH PRESSURE SODIUM

HX BALLAST INPUT WATTS

150 watt-188 watts

CWA BALLAST INPUT WATTS

200 watt-240 watts

250 watt-295 watts

310 watt-365 watts

400 watt-464 watts

### METAL HALIDE

HX BALLAST INPUT WATTS

150 watt-185 watts

CWA BALLAST INPUT WATTS

150 watt-189 watts

175 watt-210 watts

200 watt-232 watts

250 watt-295 watts

320 watt-368 watts

350 watt-400 watts

400 watt-458 watts

450 watt-508 watts

LBN-LOW BAY LUMINAIRE LB-11042.1

LBN 400W MH CRA																																					
WIDE SPREAD S/MH = 2.0																																					
TEST NO. 17309																																					
DISTRIBUTION CURVE				COEFFICIENTS OF UTILIZATION				AVERAGE BRIGHTNESS				ZONAL SUMMARY				CANDLEPOWER																					
				EFFECTIVE FLOOR CAVITY REFLECTANCE 20 PER (pfc=0.20)										ZONE		END		45		CROSS		Degrees		Lumens		% Lamp		% Fixture		Angle		Avg. Candela		Angle		Avg. Candela	
				CEIL 80 70 50 30 10										45		20909		19898		21408		(0-30)		6206		15.5		18.6		0		6192		95		635	
				WALL 70 50 30 10 70 50 30 10 50 30 10 50 30 10 50 30 10										55		19546		18317		18377		(0-40)		11529		28.8		34.6		5		6314		105		362	
				RCR										65		14310		12634		14125		(0-60)		24322		60.8		72.9		15		6906		115		227	
				0										75		10180		8803		10171		(0-90)		31838		79.6		95.4		25		7671		125		208	
				1										85		8292		6576		8364		(90-180)		1522		3.8		4.6		35		8469		135		14	
				2																(0-180)		33360		83.4		100.0		45		8767		145		0			
				3																								55		6855		155		0			
				4																								65		4063		165		0			
				5																								75		2131		175		0			
6																								85		1042											
7																																					
8																																					
9																																					
10																																					
COMPARATIVE YEARLY LIGHTING ENERGY COST PER 1000 LUMENS = \$3.29 BASED ON 3000 HRS. AND \$.08 PER KWH. LER=73														These photometric results were obtained in the Day-Brite Lighting Laboratory which is NVLAP accredited by the National Institute of Standards and Technology.																							

ADDITIONAL TEST NUMBERS

DESCRIPTION	S/MH	TEST NUMBER
LBN250M-CRA	1.7	17337
LBN400S-CRA	1.8	17310
LBN250S-CRA	1.8	17310-1P

PRODUCT FEATURES

UL 1598 Listed suitable for wet location and 40°C ambient for all lamp wattages listed.

- 3/4" threaded cast aluminum nut and hub for easy, positive mounting.
- Heavy wall, one piece die cast aluminum housing with white polyester powder finish.
- Day-Brite "Slant 2" ballast mounting for cooler operation. Ballast has high temperature class H insulation and a minimum starting temperature of -40°C (-40°F) for HPS and Pulse Start MH or -30°C (-20°F) for MH.
- Corrosion resistant stainless steel latches.
- Precision spun heavy gauge aluminum reflector coated inside and out with highly reflective (90-92%) white polyester powder finish.
- One piece injection molded lens; 3/16" minimum thickness of 100% virgin acrylic for excellent brightness control and high efficiency. UL Listed for Metal Halide arc tube containment.
- Large wiring access with captive retainer screw.
- Glass overlay (CRG only).

