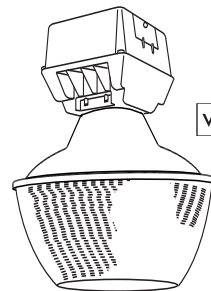


JOB NAME \_\_\_\_\_  
 TYPE \_\_\_\_\_

# LOW BAY 400 LUMINAIRE

150-400 watt Metal Halide  
 150-400 watt High Pressure Sodium  
 150-400 watt Pulse Start Metal Halide



electronic  
**wattwatcher™**  
 ballast

**Day-Brite Lighting**

The Low Bay 400 with an AC16 optical assembly offers high efficiency in areas with low mounting heights such as manufacturing areas, mezzanines or parking garages.

## ORDERING MATRIX

SAMPLE CATALOG NUMBER: LBH250MMT AC16

<b>LBH</b>							
<b>BALLAST ASSEMBLY</b> LBH		<b>LAMP SOURCE</b> M - Metal Halide S - High Pressure Sodium P - Pulse Start Metal Halide (Ballast option must also be specified)		<b>OPTIONS (add as suffix)</b> CUL - UL Listing to meet CSA standards WEB - Pulse Start Electronic Ballast (150, 200, 250, 340, 350, 400 watt only) Consult factory for available voltages and ambient temperature rating. EP - Encased and Potted core and coil ballast for quiet operation <sup>48</sup> HR - Hot Restrike (150W HPS only) MR - Magnetic Regulated Ballast <sup>35</sup> PSC - Pulse Start CWA Ballast PSM - Pulse Start Magnetic Regulated Ballast (175, 200, 250 & 400 watt only.) PSR - Pulse Start Reactor Ballast (150, 200, 250, 320, 350, 400 watt. 277 volt only.) Q - Quartz Standby QEM - Quartz Emergency <sup>40</sup> QTD - Quartz Time Delay WDF - Wired Double Fuse <sup>45</sup> WSF - Wired Single Fuse <sup>45</sup> HL - HI/LO Ballast <sup>56</sup> OR - Open Rated Socket WL - Wet Location		<b>OPTICAL ASSEMBLY</b> AC16 - 16" Enclosed Acrylic (250 watt max) AO16 - 16" Open Acrylic PC16 - 16" Enclosed Polycarbonate (250 watt max) PO16 - 16" Open Polycarbonate	
	<b>WATTAGE</b> 150 - 150 175 - 175 <sup>4</sup> 200 - 200 <sup>31</sup> 250 - 250 320 - 320 <sup>30, 78</sup> 340 - 340 <sup>30, 78</sup> 350 - 350 <sup>30, 78</sup> 400 - 400		<b>VOLTAGE</b> 12 - 120 20 - 208 24 - 240 27 - 277 34 - 347 48 - 480 2T - 208/277 MT - 120/208 240/277 TT - 120/277 347			<b>OPTICAL OPTIONS</b> 2 - Type II Distribution 5 - Type V Distribution WL - Wet Location	

### ACCESSORIES (ORDER SEPARATELY)

- CH - Cover Half for Power Hook (use with PB)
- PB - Power Box for Power Hook (use with CH)
- HMR - Suspension Hook Male
- LMR - Suspension Loop Male
- HP12 - Hook-Cord-Plug Assembly 120V
- HP25 - Hook-Cord-Plug Assembly 208-240V
- HP27 - Hook-Cord-Plug Assembly 277V
- HP48 - Hook-Cord-Plug Assembly 480V
- SCB3 - Ballast Retainer Chain 3'

(Refer to Section 18000 for additional accessories.)

### Footnotes:

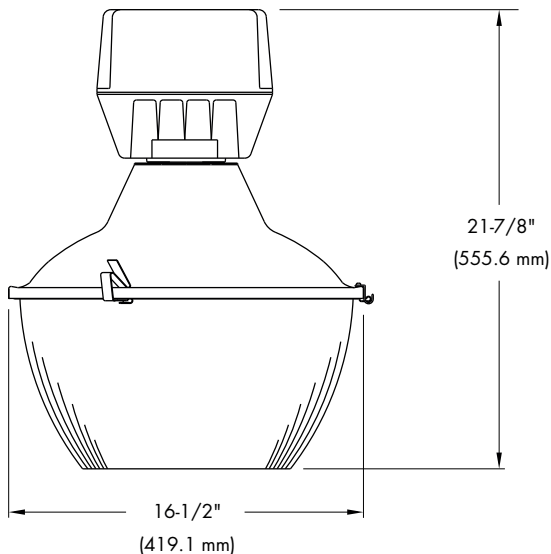
- <sup>4</sup>Not available in High Pressure Sodium
- <sup>30</sup>Pulse Start Metal Halide Only.
- <sup>31</sup>Not available in standard Metal Halide.
- <sup>35</sup>Available 150 - 400W High Pressure Sodium.
- <sup>40</sup>Requires 120 volt secondary power supply.
- <sup>45</sup>Use with 208, 240, and 480 volt.
- <sup>48</sup>Use with 120, 277, and 347 volt.
- <sup>48</sup>May require deep ballast housing.
- <sup>56</sup>Must specify voltage.
- <sup>78</sup>Must specify open rated socket ("OR" option)

### General Notes:

All accessories are field installed.  
 Mogul base lamp only.  
 All options factory installed.

**Warning:** Many Metal Halide lamps are rated for enclosed fixtures only. Some lamps are specifically rated for open fixtures and require an open rated socket (option code-"OR"). Refer to and follow the lamp manufacturer's warnings and instructions.

## DIMENSIONS



## ENERGY DATA

### HIGH PRESSURE SODIUM

HX BALLAST INPUT WATTS

150 watt -188 watts

CWA BALLAST INPUT WATTS

200 watt-240 watts

250 watt-295 watts

310 watt-365 watts

400 watt-464 watts

### METAL HALIDE

HX BALLAST INPUT WATTS

150 watt -185 watts

BALLAST INPUT WATTS

	CWA	WEB
150 watt	189 watts	163 watts
175 watt	210 watts	-
200 watt	232 watts	213 watts
250 watt	295 watts	263 watts
320 watt	368 watts	-
350 watt	400 watts	363 watts
400 watt	458 watts	413 watts

**LB-11051.1**

**LOW BAY 400**

**LBH 250W MH AC16**

MEDIUM SPREAD S/MH = 1.1

TEST NO. 22637

DISTRIBUTION CURVE	COEFFICIENTS OF UTILIZATION	AVERAGE BRIGHTNESS				ZONAL SUMMARY				CANDLEPOWER			
		ZONE	END	45	CROSS	Degrees	Lumens	% Lamp	% Fixture	Angle	Avg. Candela	Angle	Avg. Candela
	EFFECTIVE FLOOR CAVITY REFLECTANCE 20 PER (pfc=0.20)	45	14427	11991	14071	(0-30)	1561	7.1	8.4	0	2370	95	600
	CEIL 80 70 50 30 10	55	23841	19075	21906	(0-40)	2703	12.3	14.5	5	2368	105	574
	WALL 70 50 30 10 70 50 30 10 50 30 10 50 30 10	65	38734	34542	44257	(0-60)	7482	34.0	40.2	15	1898	115	468
	RCR	75	23465	16164	18087	(0-90)	16280	74.0	87.5	25	1758	125	340
	0	85	8446	6246	8207	(90-180)	2320	10.5	12.5	35	1806	135	227
	1	COMPARATIVE YEARLY LIGHTING ENERGY COST PER 1000 LUMENS = \$3.69 BASED ON 3000 HRS. AND \$.08 PER KWH. LER=65											
	2	These photometric results were obtained in the Day-Brite Lighting Laboratory which is NVLAP accredited by the National Institute of Standards and Technology.											
	3												
	4												
	5												
	6												
7													
8													
9													
10													

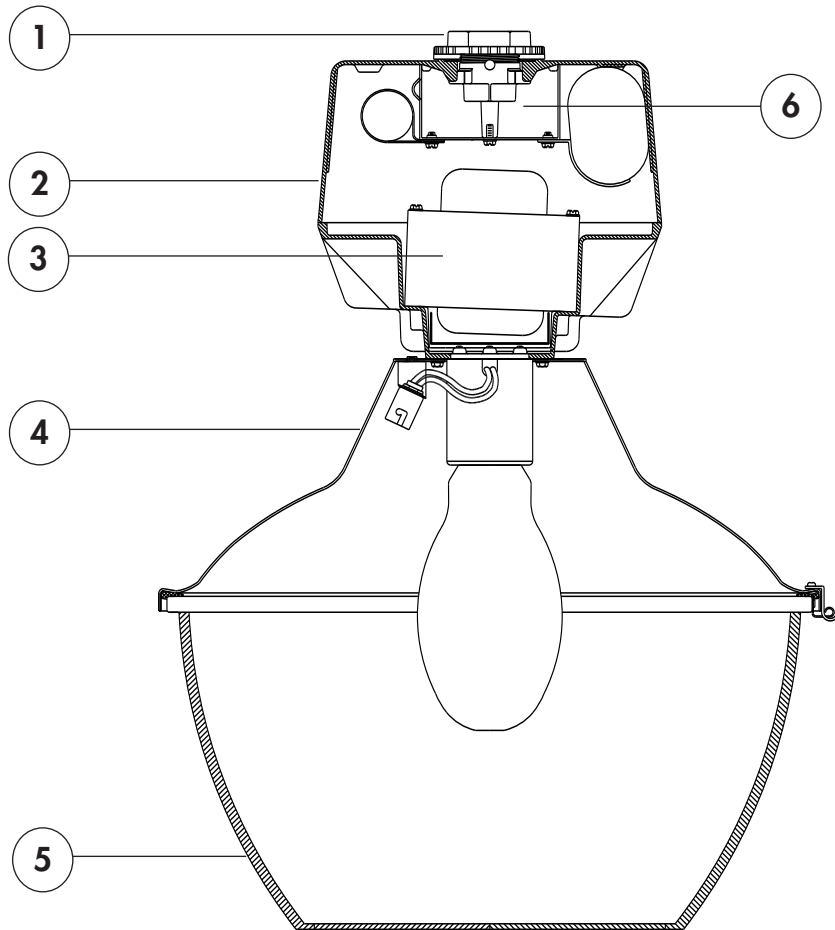
**ADDITIONAL TEST NUMBERS**

DESCRIPTION	TEST NUMBER
LBH250M-AC16-5	22637
LBH250M-AC16-2	22635
LBH250M-AO16-5	22632
LBH250M-AO16-2	22634
LBH400M-AO16-5	22625
LBH400M-AO16-2	22622
LBH250S-AC16-5	22630
LBH250S-AC16-2	22628
LBH250S-AO16-5	22631
LBH250S-AO16-2	22627

**PRODUCT FEATURES**

UL 1598 Listed suitable for damp location and 55°C ambient for all lamp wattages listed with magnetic ballast. Consult factory for ambient temperature rating for electronic ballast (WEB option).

- 3/4" threaded cast aluminum nut and hub for easy, positive mounting.
- Heavy wall, two piece die cast aluminum housing with white polyester powder finish.
- Day-Brite "Slant 2" ballast mounting for cooler operation. Ballast has high temperature class H insulation and a minimum starting temperature of -40°C (-40°F) for HPS and Pulse Start MH or -30°C (-20°F) for MH.
- Precision spun heavy gauge aluminum reflector coated inside and out with highly reflective (90-92%) white polyester powder finish.
- One piece injection molded 100% virgin acrylic lens hinged and latched to the reflector for ease of installation and maintenance. UL Listed for Metal Halide arc tube containment.
- Large wiring access with captive retainer screw.



Visit our web site at [www.daybritelighting.com](http://www.daybritelighting.com)

**LB-11051.1**

776 South Green Street Tupelo, MS 38804 Phone: 662-842-7212 Fax: 662-841-5501  
 189 Bullock Drive Markham, Ontario Canada L3P 1W4 Phone: 905-294-9570 Fax: 905-294-8911  
 Day-Brite Lighting reserves the right to make changes without notice. ©August 2004. DL2.5M0804  
 Day-Brite Lighting is a Genlyte Thomas Group.

