

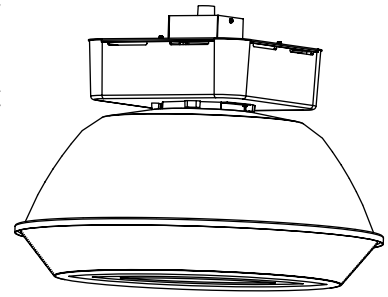
JOB NAME _____

TYPE _____

HCF LOW BAY LUMINAIRE

26, 32, 42, or 57 watt Compact Fluorescent

The HCF Compact Fluorescent Low Bay Luminaire is designed for use in gymnasiums, warehouses, educational, retail and commercial applications where low mounting heights are required.



ORDERING MATRIX

SAMPLE CATALOG NUMBER: HCF826/32/42CU LR28CF

HCF	[]	[]	C	-	[]	[]
<u>BALLAST ASSEMBLY</u> HCF		<u>WATTAGE</u> 26/32/42 57 (4 lamp only)	<u>LAMP SOURCE</u> C - Compact Fluorescent		<u>VOLTAGE</u> U - Universal 108-305 volts 50Hz or 60 Hz	<u>OPTICAL ASSEMBLY</u> LR28CF - Acrylic Lens 28"
	<u>LAMP QUANTITY</u> 4 (57W only) 6 8				<u>OPTIONS</u> D1 - Electronic Dimming Ballast for (1) lamp (57 watt only) D2 - Electronic Dimming Ballast for (2) lamps D4 - Electronic Dimming Ballast for (4) lamps D6 - Electronic Dimming Ballast for (6) lamps (not available in 57 watt) D8 - Electronic Dimming Ballast for (8) lamps (not available in 57 watt) WSF - Wired Single Fuse ⁴⁶ WDF - Wired Double Fuse ⁴⁵ B94/E - Wired with DEB-9 Emergency Ballast (not available in 57 watt)	

ACCESSORIES (ORDER SEPARATELY)

- CH - Cover Half for Power Hook (use with PB)
- PB - Power Box for Power Hook (use with CH)
- HP12 - Hook-Cord-Plug Assembly 120V
- HP25 - Hook-Cord-Plug Assembly 208-240V
- HP27 - Hook-Cord-Plug Assembly 277V
- HMR - Suspension Hook Male
- LMR - Suspension Loop Male
- WG LR28 - Wire Guard

(Refer to Section 18000 for additional accessories.)

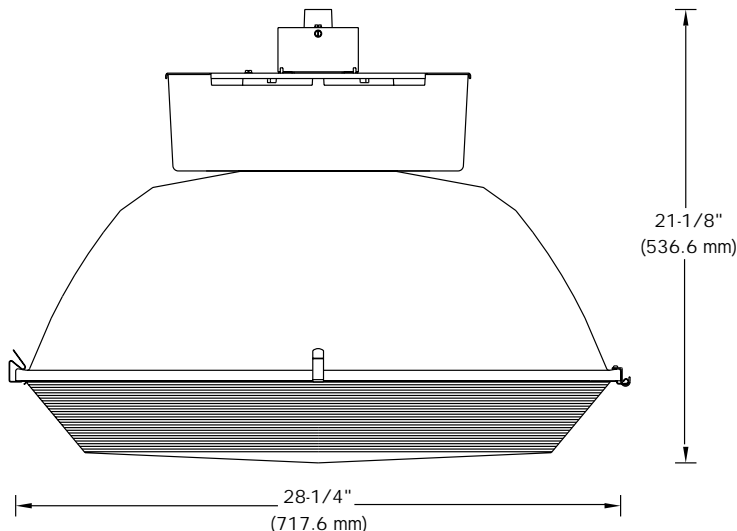
Footnotes:

- ⁴⁵Use with 208, 240, and 480 volt.
- ⁴⁶Use with 120, 277, and 347 volt.

General Notes:

- All accessories are field installed.
- GX24q lamp base only.
- All options factory installed.
- Dimming ballasts are 0-10V standard.

DIMENSIONS



ENERGY DATA

LAMP WATTS	LAMP QUANTITY	INPUT WATTS
26	6 8	165 220
32	6 8	204 272
42	6 8	279 372
57	4	248

HCF842CU - LR28CF																				
WIDE SPREAD S/MH = 1.8																				
TEST NO. 23532																				
DISTRIBUTION CURVE				COEFFICIENTS OF UTILIZATION				AVERAGE BRIGHTNESS				ZONAL SUMMARY				CANDLEPOWER				
	EFFECTIVE FLOOR CAVITY REFLECTANCE 20 PER (pfc=0.20)																			
	CEIL 80				70				50				30				10			
	WALL 70				50				30				10				50			
	RCR				0				1				2				3			
	0				93				93				93				91			
	1				84				80				76				73			
	2				76				69				63				58			
	3				69				60				53				48			
	4				63				53				45				40			
	5				57				47				39				34			
	6				53				42				34				29			
7				49				37				30				25				
8				45				34				27				22				
9				42				31				24				20				
10				39				28				22				17				
				45				14383				14392				14448				
				55				13388				13554				13558				
				65				10316				10291				10358				
				75				7390				7373				7208				
				85				6064				5969				5925				
								Degrees				Lumens				% Lamp				
								(0-30)				4052				15.8				
								(0-40)				7290				28.5				
								(0-60)				14586				57.0				
								(0-90)				19252				75.2				
								(90-180)				961				3.8				
								(0-180)				20213				79.0				
												Angle				Avg. Candela				
												0				4023				
												5				4083				
												15				4556				
												25				5090				
												35				5163				
												45				4875				
												55				3975				
												65				2493				
												75				1328				
												85				692				
												Angle				Avg. Candela				
												95				394				
												105				229				
												115				168				
												125				108				
												135				10				
												145				5				
												155				4				
												165				5				
												175				4				
																COMPARATIVE YEARLY LIGHTING ENERGY COST PER 1000 LUMENS = \$4.29 BASED ON 3000 HRS. AND \$.08 PER KWH. LER=56				
These photometric results were obtained in the Day-Brite Lighting Laboratory which is NVLAP accredited by the National Institute of Standards and Technology.																				

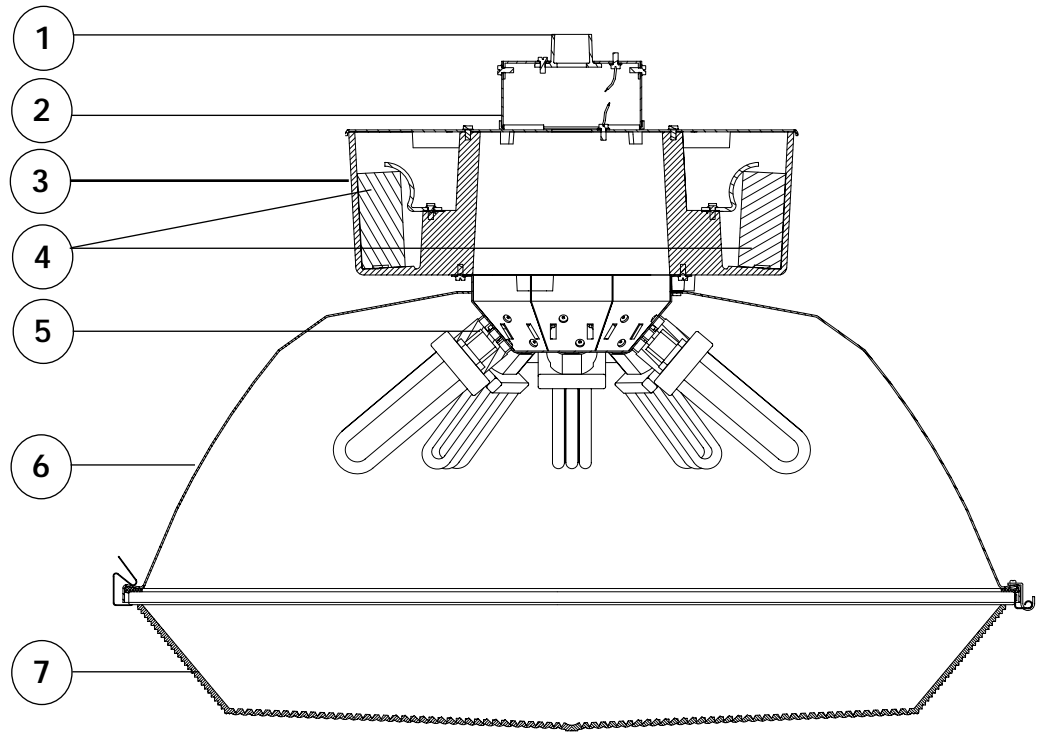
ADDITIONAL TEST NUMBERS

REFLECTOR TYPE	NO. OF LAMPS	TEST NUMBER
LR28CF	6-CFT42W	23620
LR28CF	8-CFT42W	23532

PRODUCT FEATURES

UL 1598 Listed suitable for damp location and 40°C ambient for all lamp wattages listed.

1. Die cast 3/4" hub for easy, positive mounting.
2. Mounting/wiring box with 1/2" and 3/4" concentric knockouts for thru-wire conduit connections.
3. Heavy wall cast aluminum housing with white polyester powder finish.
4. 2-Lamp electronic ballasts have programmed start for extended lamp life; end of lamp life protection; 0°F cold starting; no infrared interference; THD<10%; sound rated A.
5. Locking sockets keep lamps securely in place during operation. (Not available in 57 watt)
6. Precision spun heavy gauge aluminum reflector coated inside and out with highly reflective (90-92%) white polyester powder finish.
7. One piece injection molded 100% virgin acrylic lens hinged and latched to the reflector for ease of installation and maintenance.



Visit our web site at www.daybritelighting.com

776 South Green Street Tupelo, MS 38804 Phone: 662-842-7212 Fax: 662-841-5501

LB-11053

189 Bullock Drive Markham, Ontario Canada L3P 1W4 Phone: 905-294-9570 Fax: 905-294-8911
 Day-Brite Lighting reserves the right to make changes without notice. ©April 2003. DL2.5M0403
 Day-Brite Lighting is a Genlyte Thomas Group.

