

APEX®

APEX FLUORESCENT LOW BAY LUMINAIRE

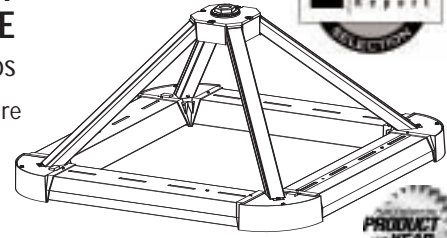


JOB NAME _____

TYPE _____

(4) 40, 50, 55 or 80 watt T5 lamps

The APEX Fluorescent Low Bay Luminaire features Miro 4 or white painted reflectors for an efficient alternative in industrial or commercial lighting applications.



Day-Brite® Lighting

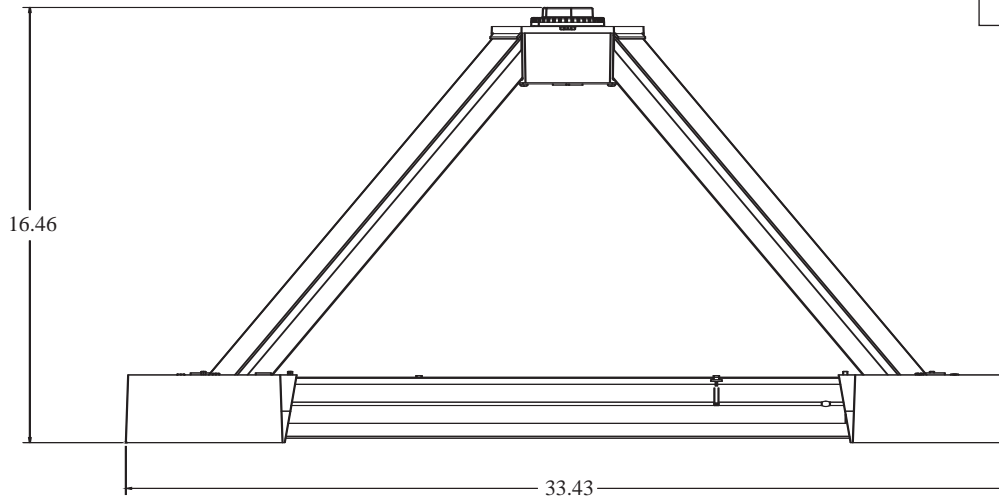
ORDERING MATRIX

SAMPLE CATALOG NUMBER: APL480-M4-UNV-4/1-EB

APL	4	[]	-	[]	-	[]	-	[]	-	[]
<u>FAMILY</u> APL	<u>LAMP QUANTITY</u> 4	<u>LAMP TYPE/WATTAGE</u> 40 - 40WTT5 50 - 50WTT5 55 - 55WTT5 80 - 80WTT5		<u>REFLECTOR MATERIAL</u> M4 - Miro 4 WT - White Painted Reflector		<u>VOLTAGE</u> UNV (105 -305 V) 120 277		<u>UPLIGHT</u> U - Uplight BLANK- No Uplight		<u>OPTIONS</u> D1 - Electronic Dimming Ballast for (1) lamp (55 or 80 watt lamp only) D2 - Electronic Dimming Ballasts for (2) lamps (55 or 80 watt lamp only) D3 - Electronic Dimming Ballasts for (3) lamps (55 or 80 watt lamp only) D4 - Electronic Dimming Ballasts for (4) lamps (55 or 80 watt lamp only) WSF - Wired Single Fuse for 120 or 277 WDF - Wired Double Fuse for 208 or 240
<u>ACCESSORIES (ORDER SEPARATELY)</u>				<u>General Notes:</u> All options factory installed. All accessories are field installed. 2G11 lamp base only Dimming ballasts are 0-10V standard						<u>BALLAST</u> 4/1-EB - Four 1 lamp Electronic Ballasts

(Refer to Section 18000 for additional accessories)

DIMENSIONS



ENERGY DATA

LAMP WATTS	BALLAST TYPE	INPUT WATTS
40	4/1-EB	188
50	4/1-EB	244
55	4/1-EB	232
80	4/1-EB	364

APEX-FLUORESCENT LOW BAY LUMINAIRE

LB-11054.1

PHOTOMETRICS

4-PLL80WTT5																									
TEST NO. 24395																									
WIDE SPREAD S/MH = 2.1																									
DISTRIBUTION CURVE	COEFFICIENTS OF UTILIZATION										AVERAGE BRIGHTNESS				ZONAL SUMMARY				CANDLEPOWER						
	EFFECTIVE FLOOR CAVITY REFLECTANCE 20 PER (pfc=0.20)																								
	Ceil 80 70 50 30 10													ZONE	END	45	CROSS	Degrees	Lumens	% Lamp	% Fixture	Angle	Avg. Candela	Angle	Avg. Candela
	Wall 70 50 30 10 70 50 30 10 50 30 10 50 30 10 50 30 10													45	10251	12525	10051	0-30	4401	18.3	9.1	0	3070	3070	3070
	RCR													55	10128	14415	10362	0-40	8132	33.9	35.3	5	3353	3412	3539
	0 113 113 113 113 110110110110 105105105 99 99 99 95 95 95													65	8506	13351	8340	0-60	16981	70.8	73.7	15	4376	5202	4563
	1 103 98 94 90 10095 92 88 91 88 85 86 84 81 82 80 78													75	6593	7975	6328	90-180	845	3.5	3.7	25	5042	5975	5146
	2 93 84 77 72 90 82 76 71 78 73 68 75 70 66 71 67 64													85	5267	7558	5711	0-180	23037	96.0	100.0	35	4912	6753	4946
	3 84 73 65 58 81 71 64 57 68 61 56 65 59 55 62 57 53													COMPARATIVE YEARLY LIGHTING ENERGY COST PER 1000				45	4864	5943	4769				
	4 76 64 55 48 74 62 54 48 60 52 47 57 51 46 54 49 45													LUMENS = \$3.64 BASED ON 3000 HRS. AND \$.08 PER KWH.				55	3898	5548	3988				
	5 69 56 47 41 67 55 47 40 53 45 39 50 44 39 48 42 38													LER=66				65	2412	3786	2365				
6 64 50 41 35 62 49 41 34 47 39 34 45 38 33 43 37 33													These photometric results were obtained in the Day-Brite Lighting Laboratory which is NVLAP accredited by the National Institute of Standards and Technology.				75	1145	1385	1099					
7 59 45 36 30 57 44 36 30 42 35 29 40 34 29 39 33 28													85	308	442	334									
8 54 41 32 26 52 40 32 26 38 31 26 37 30 25 35 29 25																									
9 50 37 29 23 49 36 28 23 35 28 23 33 27 22 32 26 22																									
10 47 34 26 21 46 33 26 20 32 25 20 31 24 20 30 24 20																									

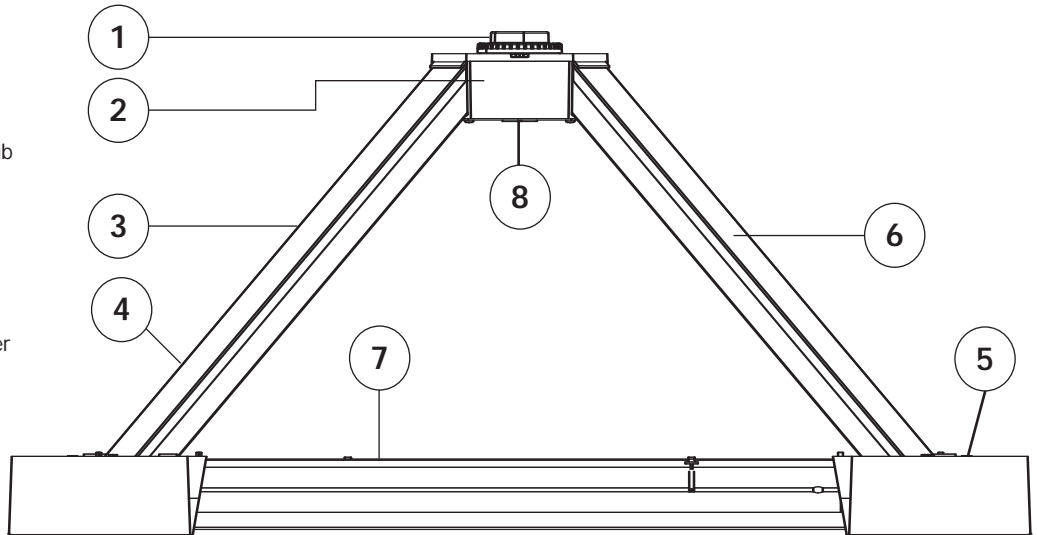
APEX ADDITIONAL TEST NUMBERS

DESCRIPTION	TEST NUMBER
APL480-M4-UNV-4/1-EB-U	24395
APL480-M4-UNV-4/1-EB-U APL-DB-01	24394
APL480-M4-UNV-4/1-EB	24393
APL480-M4-UNV-4/1-EB APL-DB-01	24392
APL480-WT-UNV-4/1-EB-U	24407
APL480-WT-UNV-4/1-EB-U APL-DB-01	24406
APL480-WT-UNV-4/1-EB	24391
APL480-WT-UNV-4/1-EB APL-DB-01	24390
APL455-M4-UNV-4/1-EB-U	24886
APL455-M4-UNV-4/1-EB-U APL-DB-01	24885
APL455-M4-UNV-4/1-EB	24884
APL455-M4-UNV-4/1-EB APL-DB-01	24883

PRODUCT FEATURES

UL 1598 Listed suitable for damp location and 55°C ambient for all lamp wattages listed.

- 3/4" threaded cast aluminum nut and hub for easy, positive mounting.
- Wiring box.
- Separate ballast enclosures for cool operation.
- Steel structure with white polyester powder finish.
- Die cast lampholder housing with white polyester powder finish.
- Electronic ballasts in structural arms.
- Parabolic reflectors with Miro 4 or white painted finish.
- Wiring box access cover plate.



Visit our web site at www.daybritelighting.com

776 South Green Street Tupelo, MS 38804 Phone: 662-842-7212 Fax: 662-841-5501

LB-11054.1

189 Bullock Drive Markham, Ontario Canada L3P 1W4 Phone: 905-294-9570 Fax: 905-294-8911
 Day-Brite Lighting reserves the right to make changes without notice. ©September 2005. DL501005
 Day-Brite Lighting is a Genlyte Company.

