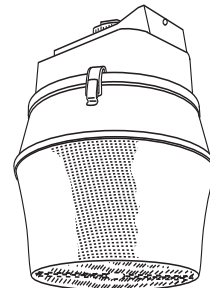


JOB NAME _____
 TYPE _____

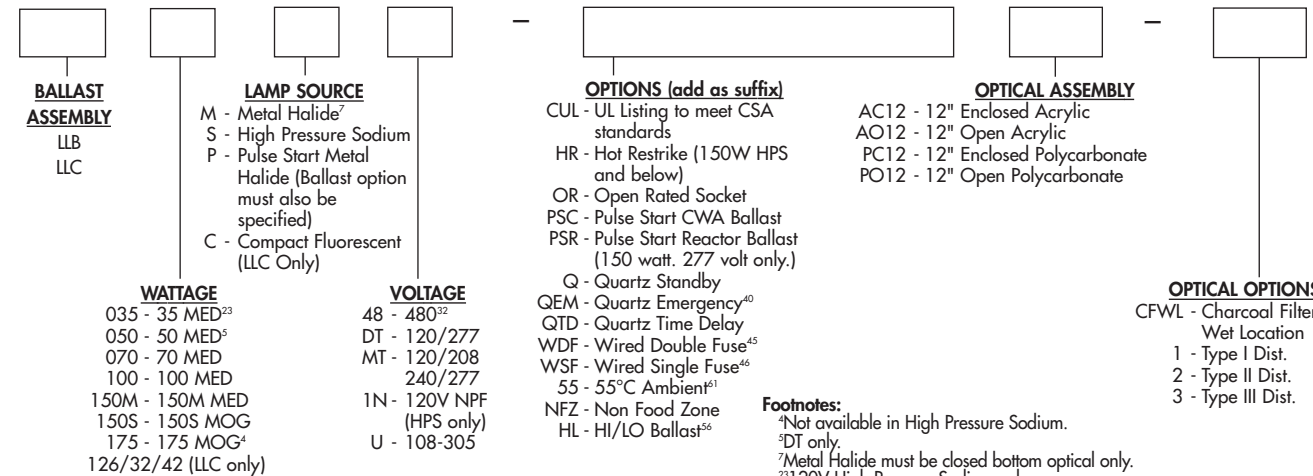
LLB LOW BAY LUMINAIRE 12" OPTICAL

35-150 watt Metal Halide
 35-150 watt High Pressure Sodium
 150-175 watt Pulse Start Metal Halide
 The LLB Luminaire with an AC12 optical assembly offers high efficiency and a wide distribution of light. Use for parking garages, loading docks, aisles and storage areas. Type V distribution is standard.



ORDERING MATRIX

SAMPLE CATALOG NUMBER: LLB175MMT-Q AC12



ACCESSORIES (ORDER SEPARATELY)

- CH - Cover Half for Power Hook (use with PB)
 - PB - Power Box for Power Hook (use with CH)
 - HMR - Suspension Hook Male
 - LMR - Suspension Loop Male
 - HP12 - Hook-Cord-Plug Assembly 120V
 - HP25 - Hook-Cord-Plug Assembly 208-240V
 - HP27 - Hook-Cord-Plug Assembly 277V
 - HP48 - Hook-Cord-Plug Assembly 480V
 - SCB3 - Ballast Retainer Chain 3'
- (Refer to Section 18000 for additional accessories.)

Footnotes:

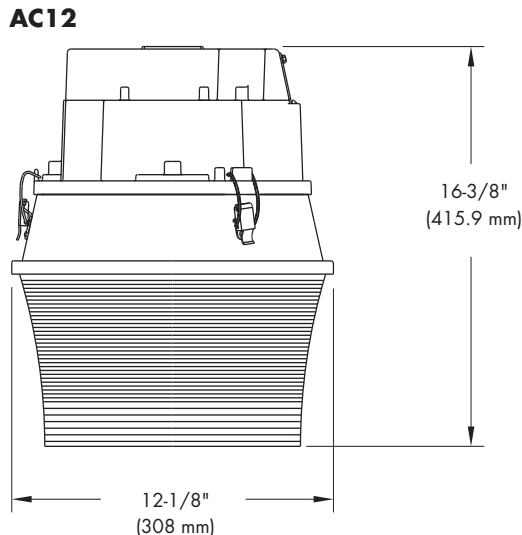
- ⁴Not available in High Pressure Sodium.
- ⁵DT only.
- ⁷Metal Halide must be closed bottom optical only.
- ²³120V High Pressure Sodium only.
- ²⁴Not available in 70 watt Metal Halide.
- ⁴⁰Requires 120 volt secondary power supply.
- ⁴⁵Use with 208, 240 and 480 volt.
- ⁴⁶Use with 120, 277 and 347 volt.
- ⁵⁶Must specify voltage.
- ⁶¹Available in 70 watt and below.

General Notes:

All accessories are field installed.
 All options factory installed.

Warning: Many Metal Halide lamps are rated for enclosed fixtures only. Some lamps are specifically rated for open fixtures and require an open rated socket (option code "OR"). Refer to and follow the lamp manufacturer's warnings and instructions.

DIMENSIONS



ENERGY DATA

HIGH PRESSURE SODIUM

HX BALLAST INPUT WATTS
35 watt-46 watts
50 watt-66 watts
70 watt-91 watts
100 watt-130 watts
150 watt-188 watts

METAL HALIDE

HX BALLAST INPUT WATTS
50 watt-72 watts
70 watt-90 watts
100 watt-129 watts
150 watt-185 watts

CWA BALLAST INPUT WATTS

150 watt-189 watts
175 watt-210 watts

CF INPUT WATTS

26 watt-30 watts
32 watt-36 watts
42 watt-46 watts

LB-11090.1

LLB 175W MH AC12

TEST NO. 17444

MEDIUM SPREAD S/MH = 1.5

DISTRIBUTION CURVE	COEFFICIENTS OF UTILIZATION										AVERAGE BRIGHTNESS				ZONAL SUMMARY				CANDLEPOWER						
	EFFECTIVE FLOOR CAVITY REFLECTANCE 20 PER (pfc=0.20)										ZONE	END	45	CROSS	Degrees	Lumens	% Lamp	% Fixture	Angle	Avg. Candela	Angle	Avg. Candela			
	CEIL	80	70	50	30	10						45	10289	8921	11167	(0-30)	1019	7.3	9.0	0	1263	95	469		
	WALL	70	50	30	10	70	50	30	10	50	30	10	50	30	10	50	30	10	50	30	10	50	30	10	
	RCR																								
	0	93	93	93	90	90	90	83	83	83	78	78	78	72	72	72	(0-40)	1787	12.8	15.8	5	1247	105	287	
	1	79	73	67	62	75	70	64	60	64	60	56	59	55	52	54	51	49							
	2	69	59	51	44	65	56	49	42	51	45	40	47	42	37	43	38	35							
	3	61	49	40	33	57	47	39	32	43	36	30	39	33	28	35	30	26							
	4	55	42	33	26	52	40	32	25	37	29	24	33	27	22	30	25	21							
	5	50	37	28	21	47	35	27	21	32	25	19	29	23	18	26	21	17							
	6	46	33	24	18	43	31	23	17	29	22	16	26	20	15	24	18	14							
7	42	29	21	15	40	28	20	15	26	19	14	24	18	13	22	16	12								
8	39	27	19	13	37	25	18	13	23	17	12	22	16	11	20	15	11								
9	36	24	17	12	35	23	16	11	22	15	11	20	14	10	18	13	10								
10	34	22	15	11	32	21	15	10	20	14	10	18	13	9	17	12	9								

COMPARATIVE YEARLY LIGHTING ENERGY COST PER 1000 LUMENS = \$4.44 BASED ON 3000 HRS. AND \$.08 PER KWH. LER-54

These photometric results were obtained in the Day-Brite Lighting Laboratory which is NVLAP accredited by the National Institute of Standards and Technology.

ADDITIONAL TEST NUMBERS

DESCRIPTION	S/MH	TEST NUMBER
LLB150S-AC12	1.7	17443
LLB150S-PC12	1.8	14034
LLB100M-AC9	2.3	15034
LLB100S-AC9	2.3	17445-1P
LLB035S-AC9	2.3	17445
LLB100S-PC9	1.9	8706
LLB035S-AO9	1.9	8483

PRODUCT FEATURES

UL 1598 Listed suitable for wet location and 40°C ambient for all lamp wattages listed.

1. 3/4" threaded cast aluminum nut and hub for easy, positive mounting.

2. Heavy wall, one piece die cast aluminum housing with white polyester powder finish.

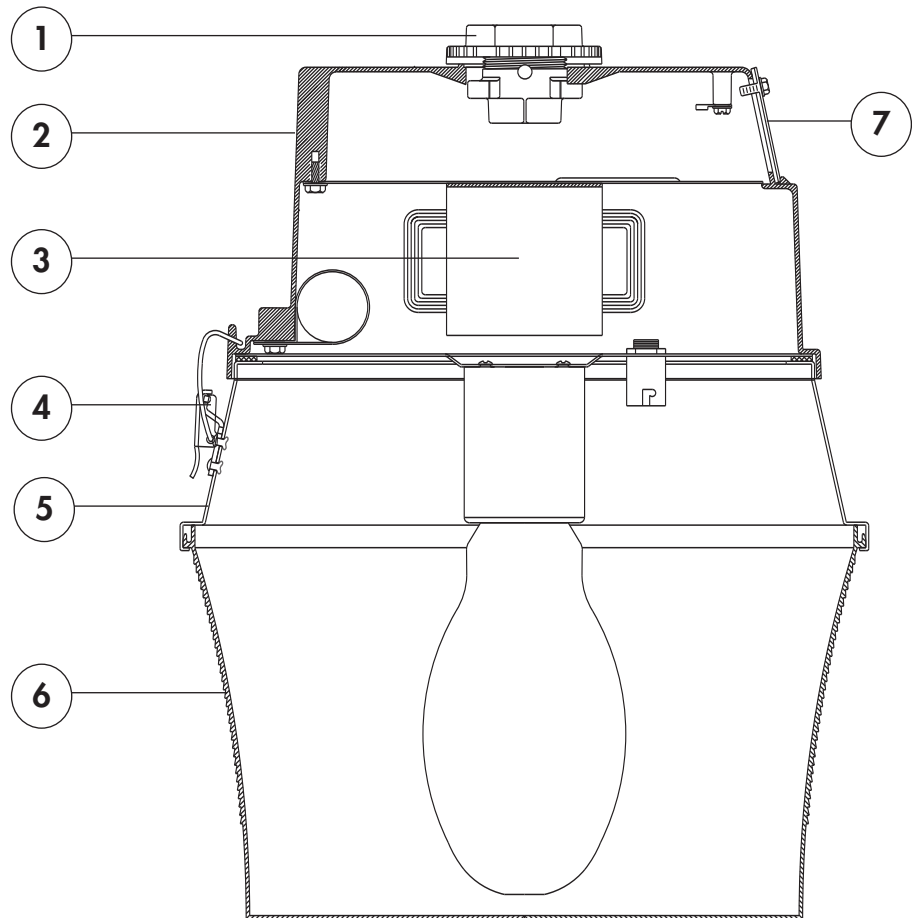
3. Ballast has high temperature class H insulation and a minimum starting temperature of -40°C (-40°F) for HPS and Pulse Start MH or -30°C (-20°F) for MH.

4. Corrosion resistant stainless steel latches.

5. Precision spun heavy gauge aluminum reflector with clear anodized finish.

6. One piece injection molded lens; 3/16" minimum thickness of 100% virgin acrylic for excellent brightness control and high efficiency. Enclosed optical UL Listed for Metal Halide arc tube containment.

7. Large wiring access with captive retainer screw.



Visit our web site at www.daybritelighting.com

776 South Green Street Tupelo, MS 38804 Phone: 662-842-7212 Fax: 662-841-5501

LB-11090.1

189 Bullock Drive Markham, Ontario Canada L3P 1W4 Phone: 905-294-9570 Fax: 905-294-8911
Day-Brite Lighting reserves the right to make changes without notice. ©February 2006. DL.5M0206
Day-Brite Lighting is a Genlyte Company.

