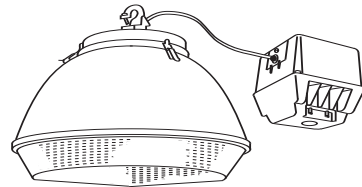


JOB NAME _____
 TYPE _____

LLR LOW BAY REMOTE

50-250 watt Metal Halide
 50-250 watt High Pressure Sodium
 150-250 watt Pulse Start Metal Halide



The LLR Low Bay Remote Luminaire features a remote mount ballast for critical mounting heights in general purpose retail, educational and industrial applications.

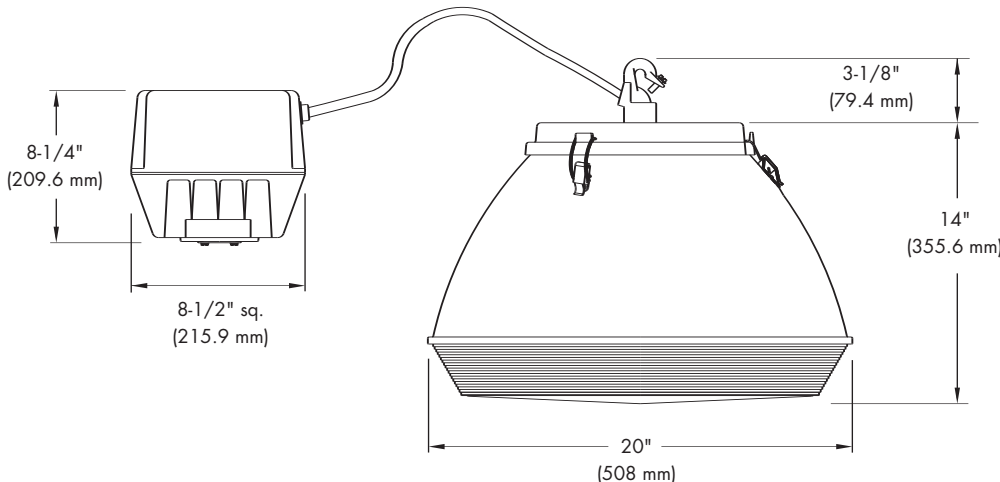
Day-Brite Lighting

ORDERING MATRIX

SAMPLE CATALOG NUMBER: LLR250MMT-H LRA

LLR	□	□	□	-	□	-	□	-	□	-	□
BALLAST ASSEMBLY LLR		LAMP SOURCE M - Metal Halide S - High Pressure Sodium P - Pulse Start Metal Halide (Ballast option must also be specified)			OPTICAL MOUNTING OPTIONS H - Suspension Hook Mounting C - Ceiling/Surface Mounting P - Pendant Mounting, 3/4" NPS				OPTICAL ASSEMBLY LRA - Acrylic Lens LRP - Polycarbonate Lens		
	WATTAGE 050 - 050 MED ² 070 - 070 MED 100 - 100 MED 150M - 150M MED 150S - 150S MOG 175 - 175 MOG ⁴ 200 - 200 MOG ³¹ 250 - 250 MOG	VOLTAGE 12 - 120 20 - 208 24 - 240 27 - 277 34 - 347 48 - 480 ³² 2T - 208/277 DT-120/277 MT - 120/208 240/277 1N - 120V NPF (HPS only)			OPTIONS (add as suffix) CUL - UL Listing to meet CSA standards WEB - Pulse Start Electronic Ballast (150, 200, 250, watt only) Consult factory for available voltages and ambient temperature rating. HR - Hot Restrike (150W HPS only) PSC - Pulse Start CWA Ballast PSR - Pulse Start Reactor Ballast (150, 200, 250 watt, 277 volt only.) Q - Quartz Standby QEM - Quartz Emergency ⁴⁰ QTD - Quartz Time Delay WDF - Wired Double Fuse ⁴⁵ WSF - Wired Single Fuse ⁴⁶			OPTICAL OPTIONS CFWL - Charcoal Filter Wet Location			
ACCESSORIES (ORDER SEPARATELY) CH - Cover Half for Power Hook (use with PB) PB - Power Box for Power Hook (use with CH) HP12 - Hook-Cord-Plug Assembly 120V HP25 - Hook-Cord-Plug Assembly 208-240V HP27 - Hook-Cord-Plug Assembly 277V HP48 - Hook-Cord-Plug Assembly 480V HMR - Suspension Hook Male LMR - Suspension Loop Male SCB3 - Ballast Retainer Chain 3' WGLRA - Wire Guard (Refer to Section 18000 for additional accessories.)						Footnotes: ¹ Not available in High Pressure Sodium. ² DT only. ³¹ Not available in standard Metal Halide. ³² Not available in 70 watt Metal Halide. ⁴⁰ Requires 120 volt secondary power supply. ⁴⁵ Use with 208, 240 and 480 volt. ⁴⁶ Use with 120, 277 and 347 volt.			General Notes: All accessories are field installed. All options factory installed. Warning: Refer to and follow the lamp manufacturer's warnings and instructions.		

DIMENSIONS



ENERGY DATA

HIGH PRESSURE SODIUM

HX BALLAST INPUT WATTS	
50 watt	66 watts
70 watt	91 watts
100 watt	130 watts
150 watt	188 watts

CWA BALLAST INPUT WATTS	
200 watt	240 watts
250 watt	295 watts

METAL HALIDE

HX BALLAST INPUT WATTS	
50 watt	72 watts
70 watt	90 watts
100 watt	129 watts
150 watt	185 watts

BALLAST INPUT WATTS

	CWA	WEB
150 watt	189 watts	163 watts
175 watt	210 watts	-
200 watt	232 watts	213 watts
250 watt	295 watts	263 watts

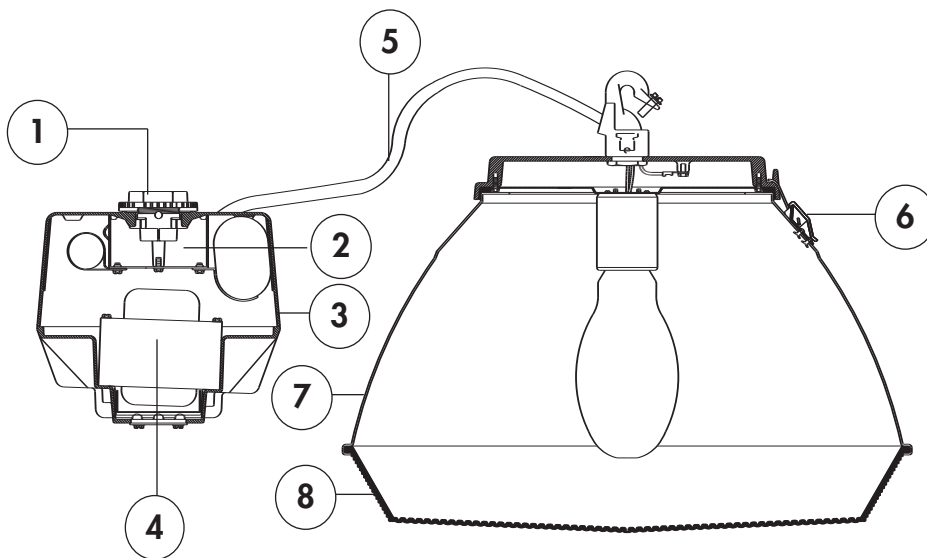
LLR-LOW BAY REMOTE

For complete photometric information on the remote mounted little low bay, please see specification sheet LB-11080.

PRODUCT FEATURES

UL 1598 Listed suitable for damp location and 40°C ambient for all lamp wattages listed with magnetic ballast. Consult factory for ambient temperature rating for electronic ballast (WEB option).

1. 3/4" threaded cast aluminum nut and hub for easy, positive mounting.
2. Large wiring access with captive retainer screw.
3. Heavy wall, two piece die cast aluminum housing with white polyester powder finish.
4. Day-Brite "Slant 2" ballast mounting for cooler operation. Ballast has high temperature class H insulation and a minimum starting temperature of -40°C (-40°F) for HPS and Pulse Start MH or -30°C (-20°F) for MH.
5. Three foot 16-3 Type SEO Cord.
6. Corrosion resistant stainless steel latches.
7. Precision spun heavy gauge aluminum reflector coated inside and out with highly reflective (90-92%) white polyester powder finish.
8. One piece injection molded lens; 3/16" minimum thickness of 100% virgin acrylic for excellent brightness control and high efficiency. UL Listed for Metal Halide arc tube containment.



Visit our web site at www.daybritelighting.com

776 South Green Street Tupelo, MS 38804 Phone: 662-842-7212 Fax: 662-841-5501