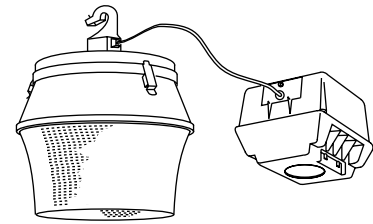


JOB NAME _____
 TYPE _____

LLR LOW BAY REMOTE 9" or 12" OPTICAL

35-175 watt Metal Halide
 35-150 watt High Pressure Sodium
 150-175 watt Pulse Start Metal Halide

The LLR Low Bay Remote Luminaire features a remote mount ballast for critical mounting heights in general purpose retail, educational and industrial applications.



ORDERING MATRIX

SAMPLE CATALOG NUMBER: LLR175PMT-H-PSC AC12

LLR				-		-			
BALLAST ASSEMBLY LLR		LAMP SOURCE M - Metal Halide ⁷ S - High Pressure Sodium P - Pulse Start Metal Halide (Ballast option must also be specified)			OPTICAL MOUNTING OPTIONS H - Suspension Hook Mounting C - Ceiling/Surface Mounting P - Pendant Mounting, 3/4" NPS			OPTICAL ASSEMBLY AC12 - 12" Enclosed Acrylic AO12 - 12" Open Acrylic PC12 - 12" Enclosed Polycarbonate PO12 - 12" Open Polycarbonate AC9 - 9" Enclosed Acrylic (100W max) AO9 - 9" Open Acrylic (100W max) PC9 - 9" Enclosed Polycarbonate (100W max) PO9 - 9" Open Polycarbonate (100W max)	
	WATTAGE 035 - 35 MED ²³ 050 - 50 MED ⁵ 070 - 70 MED 100 - 100 MED 150M - 150M MED 150S - 150S MOG 175 - 175 MOG ⁴	VOLTAGE 12 - 120 20 - 208 24 - 240 27 - 277 34 - 347 48 - 480 ³² DT - 120/277 MT - 120/208 240/277 1N - 120V NPF (HPS only)			OPTIONS (add as suffix) CUL - UL Listing to meet CSA standards HR - Hot Restrike (150W HPS only) OR - Open Rated Socket PSC - Pulse Start CWA Ballast PSR - Pulse Start Reactor Ballast (150 watt, 277 volt only) Q - Quartz Standby QEM - Quartz Emergency ⁴⁰ QTD - Quartz Time Delay WDF - Wired Double Fuse ⁴⁵ WSF - Wired Single Fuse ⁴⁶			OPTICAL OPTIONS CFWL - Charcoal Filter Wet Location 1 - Type I Dist. (12") 2 - Type II Dist. (12") 3 - Type III Dist. (9" & 12") BLANK - Type V Dist. (9" & 12")	

ACCESSORIES (ORDER SEPARATELY)

- CH - Cover Half for Power Hook (use with PB)
 - PB - Power Box for Power Hook (use with CH)
 - HP12 - Hook-Cord-Plug Assembly 120V
 - HP25 - Hook-Cord-Plug Assembly 208-240V
 - HP27 - Hook-Cord-Plug Assembly 277V
 - HP48 - Hook-Cord-Plug Assembly 480V
 - HMR - Suspension Hook Male
 - LMR - Suspension Loop Male
 - SCB3 - Ballast Retainer Chain 3'
- (Refer to Section 18000 for additional accessories.)

Footnotes:

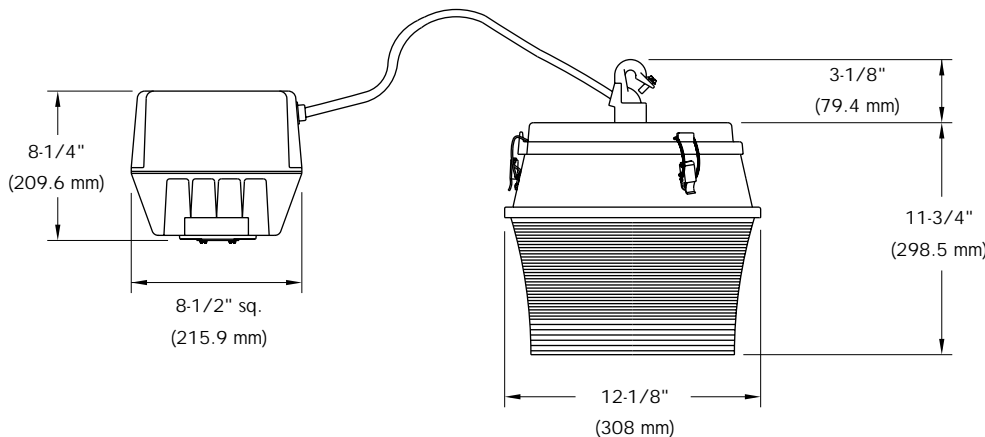
- ⁴Not available in High Pressure Sodium.
- ⁵DT only.
- ⁷Metal Halide must be closed bottom optical only.
- ²³120V High Pressure Sodium only.
- ³²Not available in 70 watt Metal Halide.
- ⁴⁰Requires 120 volt secondary power supply.
- ⁴⁵Use with 208, 240 and 480 volt.
- ⁴⁶Use with 120, 277 and 347 volt.

General Notes:

All options are factory installed.
 All accessories are field installed.

Warning: Many Metal Halide lamps are rated for enclosed fixtures only. Some lamps are specifically rated for open fixtures and require an open rated socket (option code-"OR"). Refer to and follow the lamp manufacturer's warnings and instructions.

DIMENSIONS



ENERGY DATA

HIGH PRESSURE SODIUM

HX BALLAST INPUT WATTS
35 watt-46 watts
50 watt-66 watts
70 watt-91 watts
100 watt-130 watts
150 watt-188 watts

METAL HALIDE

HX BALLAST INPUT WATTS
50 watt-72 watts
70 watt-90 watts
100 watt-129 watts
150 watt-185 watts

CWA BALLAST INPUT WATTS

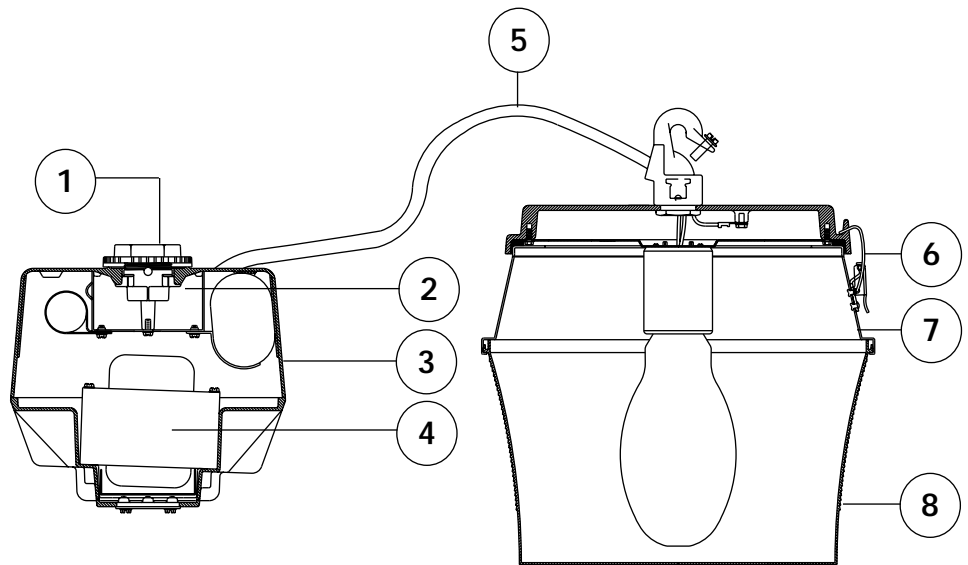
150 watt-189 watts
175 watt-210 watts

For complete photometric information on the remote mounted little low bay, please see the specification sheet LB-11090.

PRODUCT FEATURES

UL 1598 Listed suitable for damp location and 40°C ambient for all lamp wattages listed.

- 1. 3/4" threaded cast aluminum nut and hub for easy, positive mounting.
- 2. Large wiring access with captive retainer screw.
- 3. Heavy wall, two piece die cast aluminum housing with white polyester powder finish.
- 4. Day-Brite "Slant 2" ballast mounting for cooler operation. Ballast has high temperature class H insulation and a minimum starting temperature of -40°C (-40°F) for HPS and Pulse Start MH or -30°C (-20°F) for MH.
- 5. Three foot 16-3 Type SEO cord.
- 6. Corrosion resistant stainless steel latches.
- 7. Precision spun heavy gauge aluminum reflector with clear anodized finish.
- 8. One piece injection molded lens; 3/16" minimum thickness of 100% virgin acrylic for excellent brightness control and high efficiency. Enclosed optical UL Listed for Metal Halide arc tube containment.



Visit our web site at www.daybritelighting.com

776 South Green Street Tupelo, MS 38804 Phone: 662-842-7212 Fax: 662-841-5501

LB-11140

189 Bullock Drive Markham, Ontario Canada L3P 1W4 Phone: 905-294-9570 Fax: 905-294-8911
 Day-Brite Lighting reserves the right to make changes without notice. ©September 2001. DL2.5M0901
 Day-Brite Lighting is a Genlyte Thomas Group.

