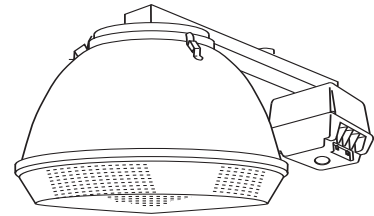


JOB NAME \_\_\_\_\_  
 TYPE \_\_\_\_\_

# LPL LOW BAY LOW PROFILE

50-250 watt Metal Halide  
 50-250 watt High Pressure Sodium  
 150-250 watt Pulse Start Metal Halide

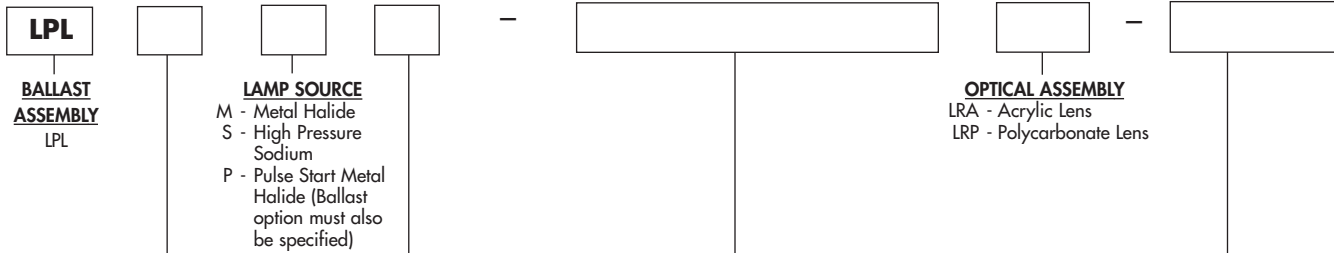


The LPL Low Bay Low Profile Luminaire features a side by side assembly for critical mounting heights in general purpose retail, educational and industrial applications.

**Day-Brite Lighting**

## ORDERING MATRIX

SAMPLE CATALOG NUMBER: LPL175PMT-PSC LRA



WATTAGE	VOLTAGE
050 - 050 MED <sup>3</sup>	12 - 120
070 - 070 MED	20 - 208
100 - 100 MED	24 - 240
150M - 150M MED	27 - 277
150S - 150S MOG	34 - 347
175 - 175 MOG <sup>4</sup>	48 - 480 <sup>32</sup>
200 - 200 MOG <sup>31</sup>	DT - 120/277
250 - 250 MOG	2T - 208/277
	MT - 120/208
	240/277

### ACCESSORIES (ORDER SEPARATELY)

- CH - Cover Half for Power Hook (use with PB)
  - PB - Power Box for Power Hook (use with CH)
  - HP12 - Hook-Cord-Plug Assembly 120V
  - HP25 - Hook-Cord-Plug Assembly 208-240V
  - HP27 - Hook-Cord-Plug Assembly 277V
  - HP48 - Hook-Cord-Plug Assembly 480V
  - HMR - Suspension Hook Male
  - LMR - Suspension Loop Male
  - SCB3 - Ballast Retainer Chain 3'
  - WGLRA - Wire Guard
- (Refer to Section 18000 for additional accessories.)

- OPTIONS (add as suffix)**
- CUL - UL Listing to meet CSA standards
- WEB - Pulse Start Electronic Ballast (150, 200, 250, watt only)  
Consult factory for available voltages and ambient temperature rating
- HR - Hot Restrike (150W HPS only)
- PSC - Pulse Start CWA Ballast
- PSR - Pulse Start Reactor Ballast (150, 200, 250 watt, 277 volt only.)
- Q - Quartz Standby
- QEM - Quartz Emergency<sup>40</sup>
- QTD - Quartz Time Delay
- WDF - Wired Double Fuse<sup>45</sup>
- WSF - Wired Single Fuse<sup>46</sup>
- HL - HI/LO Ballast<sup>56</sup>

### Footnotes:

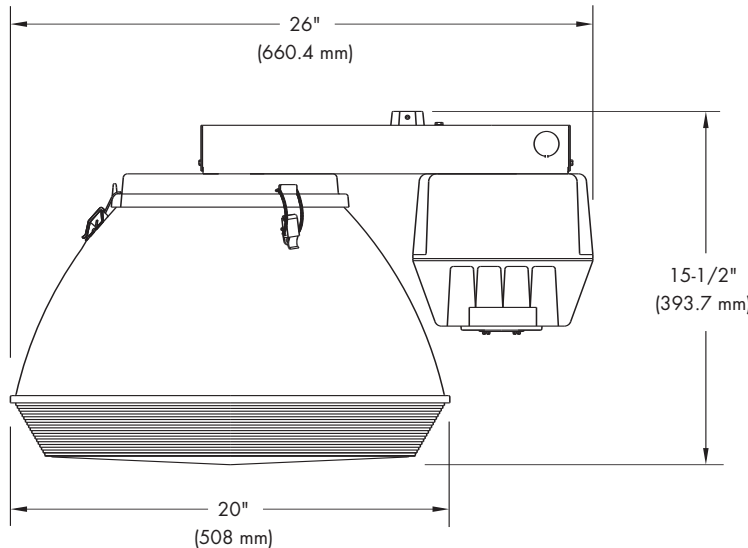
- <sup>4</sup>Not available in High Pressure Sodium.
- <sup>5</sup>DT only.
- <sup>31</sup>Not available in standard Metal Halide.
- <sup>32</sup>Not available in 70 watt Metal Halide.
- <sup>40</sup>Requires 120 volt secondary power supply.
- <sup>45</sup>Use with 208, 240 and 480 volt.
- <sup>46</sup>Use with 120, 277 and 347 volt.
- <sup>56</sup>Must specify voltage.

### General Notes:

All accessories are field installed.  
 All options factory installed.

**Warning:** Refer to and follow the lamp manufacturer's warnings and instructions.

## DIMENSIONS



## ENERGY DATA

### HIGH PRESSURE SODIUM

HX BALLAST INPUT WATTS
50 watt-66 watts
70 watt-91 watts
100 watt-130 watts
150 watt-188 watts

### CWA BALLAST INPUT WATTS

200 watt-240 watts
250 watt-295 watts

### METAL HALIDE

HX BALLAST INPUT WATTS
50 watt-72 watts
70 watt-90 watts
100 watt-129 watts
150 watt-185 watts

### BALLAST INPUT WATTS

	CWA	WEB
150 watt	189 watts	163 watts
175 watt	210 watts	-
200 watt	232 watts	213 watts
250 watt	295 watts	263 watts

**LPL-LOW BAY LOW PROFILE**

**LB-11160.1**

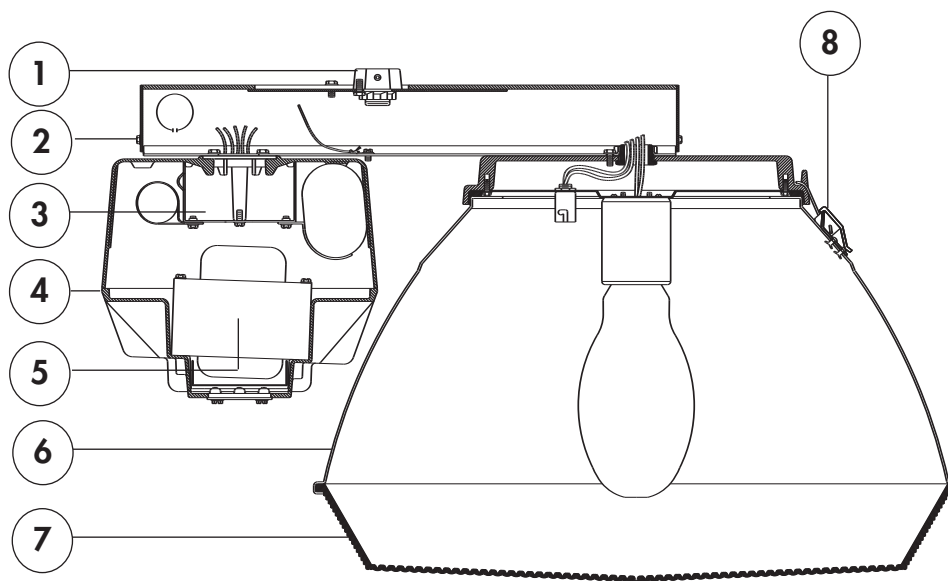
## PHOTOMETRICS

For complete photometric information on the low profile little low bay, please see specification sheet LB-11080.

## PRODUCT FEATURES

UL 1598 Listed suitable for damp location and 40°C ambient for all lamp wattages listed with magnetic ballast. Consult factory for ambient temperature rating for electronic ballast (WEB option).

1. Die cast 3/4" hub for easy, positive mounting.
2. Low profile mounting arm is the solution for crucial mounting heights.
3. Large wiring access with captive retainer screw.
4. Heavy wall, two piece die cast aluminum housing with white polyester powder finish.
5. Day-Brite "Slant 2" ballast mounting for cooler operation. Ballast has high temperature class H insulation and a minimum starting temperature of -40°C (-40°F) for HPS and Pulse Start MH or -30°C (-20°F) for MH.
6. Precision spun heavy gauge aluminum reflector coated inside and out with highly reflective (90-92%) white polyester powder finish.
7. One piece injection molded lens; 3/16" minimum thickness of 100% virgin acrylic for excellent brightness control and high efficiency. UL Listed for Metal Halide arc tube containment.
8. Corrosion resistant stainless steel latches.



Visit our web site at [www.daybritelighting.com](http://www.daybritelighting.com)

776 South Green Street Tupelo, MS 38804 Phone: 662-842-7212 Fax: 662-841-5501

**LB-11160.1**

189 Bullock Drive Markham, Ontario Canada L3P 1W4 Phone: 905-294-9570 Fax: 905-294-8911  
Day-Brite Lighting reserves the right to make changes without notice. ©August 2004. DL2.5M0804  
Day-Brite Lighting is a Genlyte Thomas Group.

 **Day-Brite Lighting**