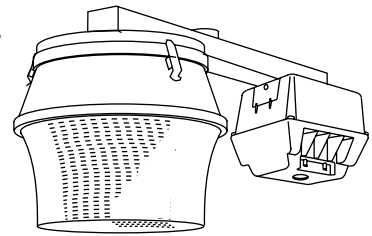


JOB NAME _____
 TYPE _____

LPL LOW BAY LOW PROFILE 9" and 12" OPTICAL

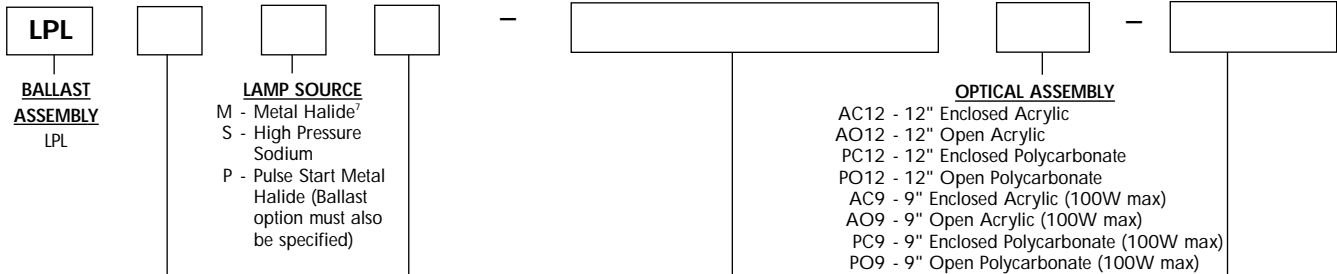
50-175 watt Metal Halide
 50-150 watt High Pressure Sodium
 150-175 watt Pulse Start Metal Halide



The LPL Low Bay Low Profile Luminaire features a side by side assembly for critical mounting heights in general purpose retail, educational and industrial applications.

ORDERING MATRIX

SAMPLE CATALOG NUMBER: LPL175PMT-PSC AC12



WATTAGE	VOLTAGE
050 - 050 MED ⁵	12 - 120
070 - 070 MED	20 - 208
100 - 100 MED	24 - 240
150M - 150M MED	27 - 277
150S - 150S MOG	34 - 347
175 - 175 MOG ⁴	48 - 480 ³²
	DT - 120/277
	MT - 120/208
	240/277

- OPTIONS (add as suffix)**
- CUL - UL Listing to meet CSA standards
 - HR - Hot Restrike (150W HPS only)
 - OR - Open Rated Socket
 - PSC - Pulse Start CWA Ballast
 - PSR - Pulse Start Reactor Ballast (150 watt, 277 volt only)
 - Q - Quartz Standby
 - QEM - Quartz Emergency⁴⁰
 - QTD - Quartz Time Delay
 - WDF - Wired Double Fuse⁴⁵
 - WSF - Wired Single Fuse⁴⁶
 - HL - HI/LO Ballast⁴⁶

- OPTICAL OPTIONS**
- CFVWL - Charcoal Filter Wet Location
 - 1 - Type I Dist. (12")
 - 2 - Type II Dist. (12")
 - 3 - Type III Dist. (9" & 12")
 - BLANK - Type V Dist. (9" & 12")

- ACCESSORIES (ORDER SEPARATELY)**
- CH - Cover Half for Power Hook (use with PB)
 - PB - Power Box for Power Hook (use with CH)
 - HP12 - Hook-Cord-Plug Assembly 120V
 - HP25 - Hook-Cord-Plug Assembly 208-240V
 - HP27 - Hook-Cord-Plug Assembly 277V
 - HP48 - Hook-Cord-Plug Assembly 480V
 - HMR - Suspension Hook Male
 - LMR - Suspension Loop Male
 - SCB3 - Ballast Retainer Chain 3'
- (Refer to Section 18000 for additional accessories.)

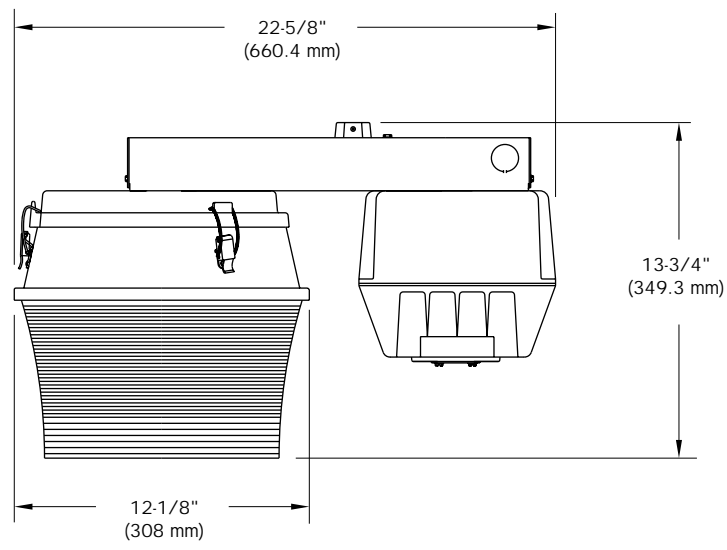
Footnotes:

- ⁴Not available in High Pressure Sodium.
- ⁵DT only.
- ⁷Metal Halide must be closed bottom optical only.
- ²³120V High Pressure Sodium only.
- ³²Not available in 70 watt Metal Halide.
- ⁴⁰Requires 120 volt secondary power supply.
- ⁴⁵Use with 208, 240 and 480 volt.
- ⁴⁶Use with 120, 277 and 347 volt.
- ⁵⁶Must specify voltage.

General Notes:
 All accessories are field installed.
 All options factory installed.

Warning: Many Metal Halide lamps are rated for enclosed fixtures only. Some lamps are specifically rated for open fixtures and require an open rated socket (option code-"OR"). Refer to and follow the lamp manufacturer's warnings and instructions.

DIMENSIONS



ENERGY DATA

HIGH PRESSURE SODIUM	
HX BALLAST INPUT WATTS	
35 watt-46 watts	
50 watt-66 watts	
70 watt-91 watts	
100 watt-130 watts	
150 watt-188 watts	
METAL HALIDE	
HX BALLAST INPUT WATTS	
50 watt-72 watts	
70 watt-90 watts	
100 watt-129 watts	
150 watt-185 watts	
CWA BALLAST INPUT WATTS	
150 watt-189 watts	
175 watt-210 watts	

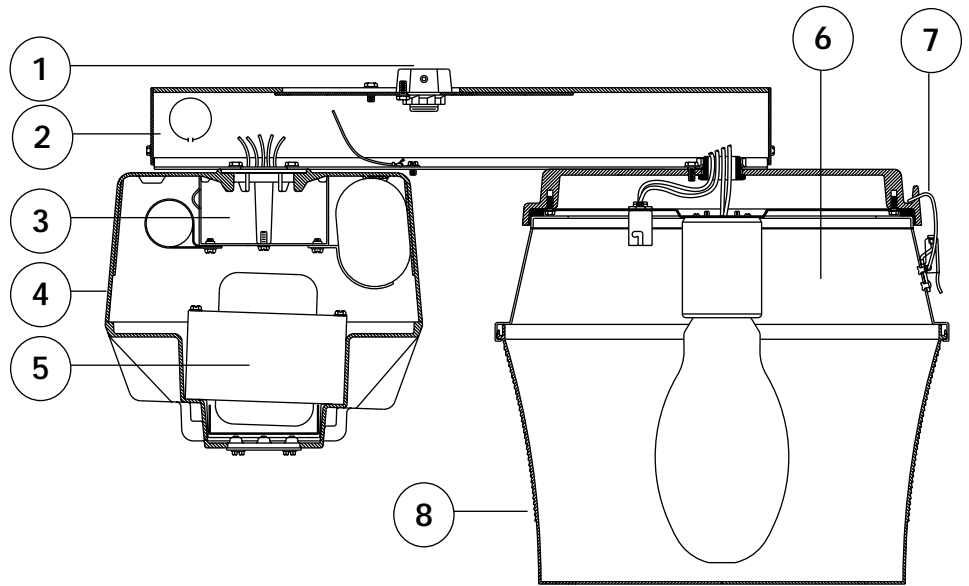
PHOTOMETRICS

For complete photometric information on the low profile little low bay, please see specification sheet LB-11090.

PRODUCT FEATURES

UL 1598 Listed suitable for damp location and 40°C ambient for all lamp wattages listed.

1. Die cast 3/4" hub for easy, positive mounting.
2. Low profile mounting arm is the solution for crucial mounting heights.
3. Large wiring access with captive retainer screw.
4. Heavy wall, two piece die cast aluminum housing with white polyester powder finish.
5. Day-Brite "Slant 2" ballast mounting for cooler operation. Ballast has high temperature class H insulation and a minimum starting temperature of -40°C (-40°F) for HPS and Pulse Start MH or -30°C (-20°F) for MH.
6. Precision spun heavy gauge, aluminum reflector anodized finish.
7. Corrosion resistant stainless steel latches.
8. One piece injection molded lens; 3/16" minimum thickness of 100% virgin acrylic for excellent brightness control and high efficiency. Enclosed optical UL Listed for Metal Halide arc tube containment.



Visit our web site at www.daybritelighting.com

776 South Green Street Tupelo, MS 38804 Phone: 662-842-7212 Fax: 662-841-5501

LB-11170

189 Bullock Drive Markham, Ontario Canada L3P 1W4 Phone: 905-294-9570 Fax: 905-294-8911
Day-Brite Lighting reserves the right to make changes without notice. ©September 2001. DL2.5M0901
Day-Brite Lighting is a Genlyte Thomas Group.

 **Day-Brite Lighting**