



Specifier's Reference

Project
Type
Model No.
Comments

codes and standards

- ETL Listed to UL 924 Standard.
- NFPA 101 (Life Safety Code), NEC 70.
- California Energy Commission.

voltage input

- 120/277VAC selectable input.

housing

- Exit housings are durable extruded aluminum construction with easy to install canopy. Universal recessed mounted exits have an extruded trim plate.
- Adjustable bar hangers adapt housing for mounting in suspended ceiling.

finish

- Universal exits are only available with satin aluminum finish. End caps are a matte black finish.

construction

- Compact, low-profile decorative design with high grade acrylic panel.
- Exit panel rotates for wall, ceiling or sloped ceiling to any angle from 0° to 180°, and can be locked into place.
- All models are provided with field installable directional indicators.
- Single-face exits have a clear background and double-face exits are provided with a mirror background.

installation

- Universal exits include a tri-mount canopy that allows for ceiling, wall and end surface mounting plus it includes a back box for recessed ceiling or wall mounting as well.

electronics

- Dual voltage 120/277 VAC input with surge protection.
- Emergency models provide solid-state charging system with low voltage disconnect, AC lockout and brownout features.

battery

- Emergency models utilize a self-contained, maintenance-free nicad battery that will provide a minimum of 90 minutes of illumination.
- Operating temperature range of 20°F (-7°C) to 95°F (35°C).

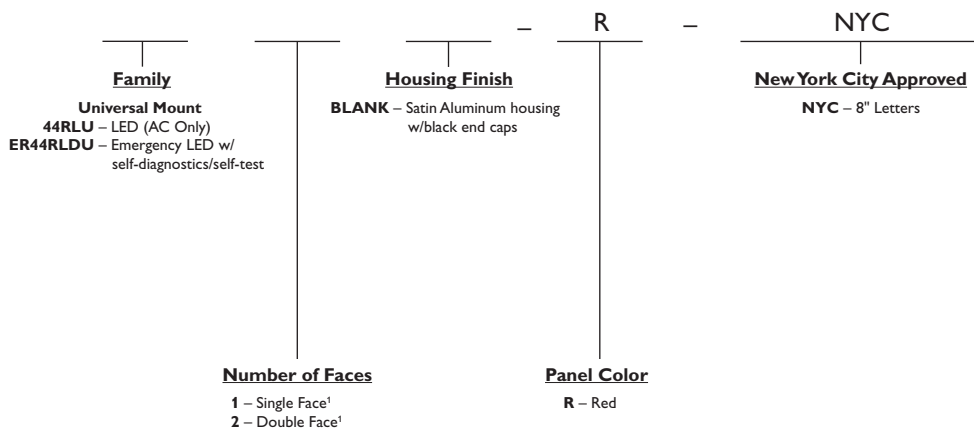
self-diagnostic/self-test

- Universal mount emergency exits, ER44RLDU, have self-diagnostic/self-test circuitry as a standard feature.

warranty

- Three full year warranty on electronics and unit.

Green Choice: ER44RLDU2RNYC



footnotes

¹Single-face exits are provided with a clear background, and double-face exits are provided with mirror background (Consult factory for single-face signs with a mirror background or single and double face signs with a white background).

wattages

- Consumes 3 Watts at 120V.

mounting

- 44RLU and ER44RLDU signs are universal mounted and can be recessed mounted (wall or ceiling) or surface mounted (wall, ceiling, or end).

panel

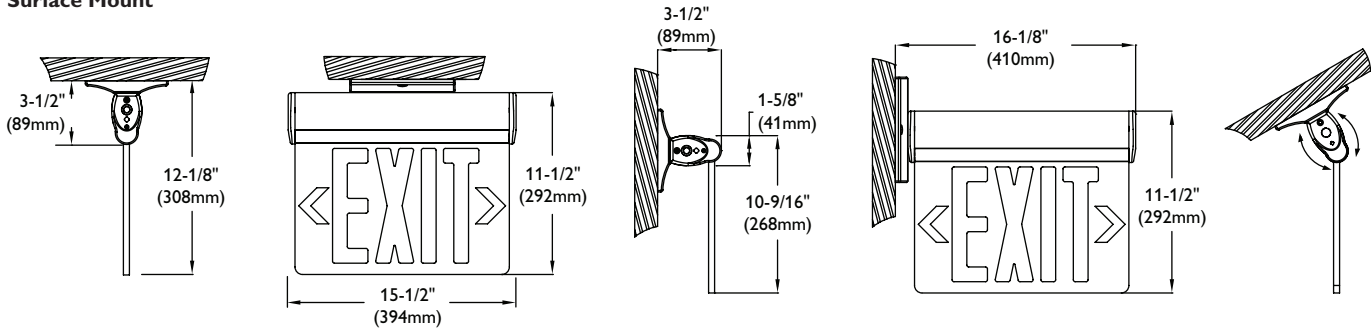
- Signage contains 8" letter height with 1" stroke.
- The panel is clear acrylic.
- Chevrons may be applied in the field by simply placing chevron in the cut out area of template already attached to panel. Remove template after chevron is attached.

circuitry

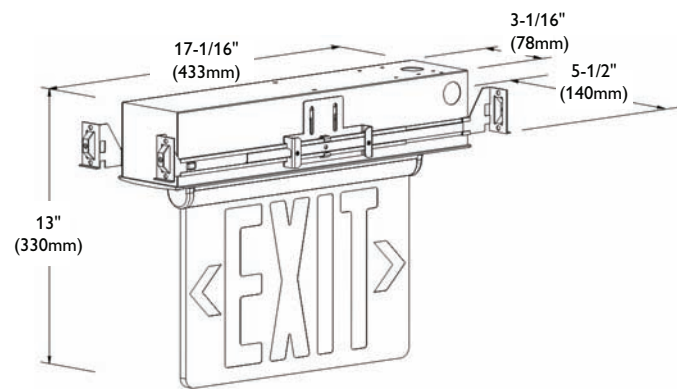
- All ER44RLDU exits feature a self-diagnostic/self-test circuitry, which will indicate a warning when any of the key components (battery, lamps, charger board, and transformer) malfunctions and needs replacing.
- The SD/ST circuitry performs an automatic test: 1 minute every month, 30 minutes every 6th month of the year, and a 90 minute test on the 12th month of the year.
- A manual test can be activated at any time by simply pushing the test button.

dimensions

Surface Mount



Recessed Ceiling Mount



Recessed Wall Mount

Housing protrudes 1-1/8" from wall surface



©2011 Philips Day-Brite
All rights reserved.

776 South Green Street • Tupelo, MS 38804
p. 800.234.1890 • f. 662.841.5501
Canadian Division
189 Bullock Drive • Markham, Ontario L3P 1W4
p. 905.294.9570 • f. 905.294.9811

Contact Factory for Additional Configurations.
Specifications are subject to change without notice.

Some luminaires use fluorescent or high intensity discharge (HID) lamps that contain small amounts of mercury. Such lamps are labeled, "Contain Mercury" and/or the symbol "HG". Lamps that contain mercury must be disposed of in accordance with local requirements. Information regarding lamp recycling and disposal can be found at www.lamprecycle.org

