



UNITS

100, 150, 200 watt units (12 volt only)

CONSTRUCTION

Rugged 20 gauge steel housing. Lamp heads are constructed of high impact, flame retardant plastic.

APPROVAL

ETL Listed.
New York City Approved.

DESIGN

Lamp heads are mounted on top of unit. Units may be supplied with no heads if required. Easily mounted with key hole slots or shelf mounting.

ELECTRONICS

12 volt system. 120/277 VAC dual voltage input with surge-protected solid-state circuitry provides a reliable charging system. Charging system is complete with low voltage disconnect, AC lockout, brownout protection, AC indicator lamp and test switch.

FINISH

Housing standard in white, corrosion resistant, epoxy powder coat finish.

BATTERY

12 volt sealed maintenance-free lead acid battery.

WARRANTY

Five full year warranty on unit. (Lamps not included).

CATALOG NUMBERS (Example: SU12L100W2)

SU12L100W	ER Unit - 12v-100w, White finish, less lamp heads
SU12L100W2	ER Unit - 12v-100w, White finish, 2-9w tungsten lamp heads
SU12L100W3	ER Unit - 12v-100w, White finish, 3-9w tungsten lamp heads
SU12L150W	ER Unit - 12v-150w, White finish, less lamp heads
SU12L150W2	ER Unit - 12v-150w, White finish, 2-9w tungsten lamp heads
SU12L150W3	ER Unit - 12v-150w, White finish, 3-9w tungsten lamp heads
SU12L200W	ER Unit - 12v-200w, White finish, less lamp heads
SU12L200W2	ER Unit - 12v-200w, White finish, 2-9w tungsten lamp heads
SU12L200W3	ER Unit - 12v-200w, White finish, 3-9w tungsten lamp heads

Emergency Unit Rating Chart					
Lamp Watts to 87.5 of Rated Voltage					
DC Volts	Model No.	1.5 hours	2.0 hours	3.0 hours	4.0 hours
12	SU12L100W2	100	75	50	37
12	SU12L150W2	150	112	75	56
12	SU12L200W2	200	150	100	75

OPTIONS

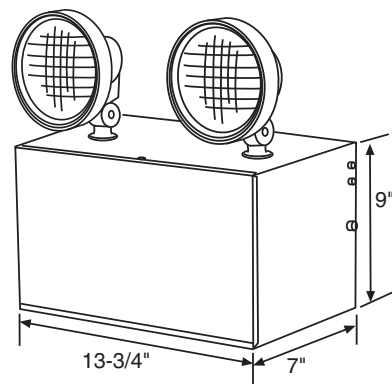
- B** Black Finish
- DR** Damp Location Rating
- SD** Self Diagnostics
- TP** Tamper proof
- CS** Cord & Plug Set
- VM** Voltmeter
- PC** Photo Cell
- TD** Time Delay

OPTIONAL HEADS

- H1212** 12v-12w Halogen Lamp
- N1218** 12v-18w Tungsten Lamp
- N1225** 12v-25w Tungsten Lamp (Metal Head)

DIMENSIONS

13-3/4" W x 7" D x 9" H
15" Tall with heads.



*If ordering optional heads, place any other options at the end of the specified catalog number. Ex: SU12L150W2H1212SD

Job Name: _____

Type: _____

Voltage: _____

