



# PIMpendant

COMPACT FLUORESCENT



**PIM General Characteristics...**The housings are made of machined cast AL designed to dissipate socket and ballast heat. The reflectors are precision crafted .050 AL and are engineered for maximum light out-put and cut-off angles of 45°. The lower reflector edge is flanged for rigidity and can be covered with the optional Trim Ring. Surface mounted ballast plates are spun AL. Fixtures are assembled with no visible fasteners.

**Pendant Application Concept...**For use in interior space as suspended general, accent or task lighting applications that require a balance of good lamp and lamp image cut off and fixture efficiency. Can be used in office, hospitality, retail or corporate space that require quality lighting and an architectural statement.

aperture REQUIRED	lamp REQUIRED	fixture finish REQUIRED	interior reflector finish REQUIRED	exterior reflector finish OPTIONAL	suspension method REQUIRED	electrical REQUIRED	decorative options OPTIONAL	electrical options OPTIONAL	voltage OPTIONAL
<b>PIM6</b> 6" aperture	<b>42PLT</b> <b>32PLT</b>	<b>GR</b> graphite	<b>CS</b> clear specular	<b>A</b> anodized	<b>C</b> cord	<b>R</b> recessed	<b>FXB</b> flat cross baffle	<b>F1</b> fuse 120	<b>U</b> 120-277V CFI electronic ballast
<b>PIM8</b> 8" aperture	<b>26PLT</b> <b>18PLT</b> <b>26QPL</b> <b>18QPL</b> <b>13QPL</b>	<b>PW</b> pewter <b>TI</b> titanium <b>CO</b> copper <b>PC</b> patina copper <b>BR</b> bronze <b>RU</b> iron oxide <b>BQ</b> baroque <b>BK</b> black paint <b>WH</b> white paint <b>AL</b> aluminum paint	<b>CSS</b> clear semi-specular <b>HZ</b> haze <b>FCS</b> faceted clear specular <b>FCSS</b> faceted clear semi-specular <b>FHZ</b> faceted haze	anodized option leaves the exterior of reflector as an anodized finish matching the interior finish specified, creating greater contrast between components	black standard white cord supplied with white fixtures standard length is 120" and can be field modified <b>A</b> aircraft cable black black coiled cord, stainless cable - white cord is supplied with white fixtures standard length is 120" of pre-coiled cord and yields on effective suspension length of 12" to 48" <b>S</b> stem stem finish to match fixture standard length is 24" —for other requirements consult factory	<b>C</b> canopy canopy finish to match fixture	<b>FLD</b> floating luminous disk <b>FLR</b> floating luminous ring <b>T</b> trim ring T option can be ordered in combination with FXB, FLD or FLR options (example: FXBT)	<b>F2</b> fuse 277 <b>F3</b> fuse 347 <b>DL1</b> Dimming Lutron Compact SE, 120V <b>DL2</b> Dimming Lutron Compact SE, 277V <b>DX1</b> Dimming Advance Mark X, 120V <b>DX2</b> Dimming Advance Mark X, 277V <b>EM</b> emergency	voltage not required with dimming option

Omega Lighting 5 Year Limited Warranty  
U.L. and C.U.L. listed damp location.  
For Wet Location and Wet Location  
Covered Ceiling, consult factory.  
IBEW union made.

Due to the natural aging process of Origins Rust, Patina Copper, and Baroque metalized finishes, variations may exist between fixtures.

for custom or RAL colors consult factory



CAT NO.: \_\_\_\_\_  
TYPE: \_\_\_\_\_  
PROJECT: \_\_\_\_\_

OR1-1  
5/08

OMEGA LIGHTING: 776 South Green St., Tupelo, MS 38804 Phone 662.842.7212 FAX 662.841.5501

Omega Lighting is a Philips group brand

PHILIPS

# PIMpendant

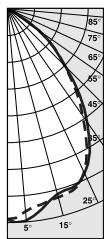
COMPACT FLUORESCENT



**photometric data**

— 0° (parallel)  
 - - - 90° (normal)

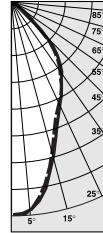
Additional photometric test files are available at [www.originslighting.com](http://www.originslighting.com)



DEGREES	CANDELA		FOOT-LAMBERTS
	AT 0°	AT 90°	
90	0	0	
85	0	0	
75	0	0	
65	0	0	
55	19	21	558
45	274	280	6268
35	632	609	
25	893	858	
15	1000	984	
5	1080	1098	
0	1100	1100	

**PIM632PLT-CS**

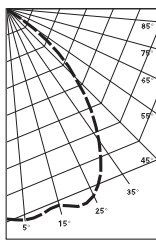
Clear Specular Reflector  
 Report Number: 22416-R  
 Lamp: CFT32W  
 Total Lumens: 2400  
 Fixture Efficiency: = 58.4%  
 IES File: F22416-R.IES  
 S/MH Ratio = 1.1, 1.0  
 Beam Angle: 75.13



DEGREES	CANDELA		FOOT-LAMBERTS
	AT 0°	AT 90°	
90	0	0	
85	0	0	
75	0	0	
65	0	0	
55	7	12	149
45	417	344	4843
35	713	671	
25	1163	1144	
15	1643	1586	
5	2172	2173	
0	2218	2218	

**PIM842PLT-CS**

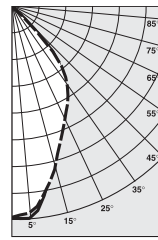
Clear Specular Reflector  
 Report Number: 20824-R  
 Lamp: CFT42W  
 Total Lumens: 3200  
 Fixture Efficiency: = 64.6%  
 IES File: F20824-R.IES  
 S/MH Ratio = 0.7, 0.7  
 Beam Angle: 54.23



DEGREES	CANDELA		FOOT-LAMBERTS
	AT 0°	AT 90°	
90	0	0	
85	0	0	
75	1	1	62
65	11	9	379
55	151	160	4338
45	436	459	10126
35	716	754	
25	935	960	
15	938	945	
5	987	985	
0	976	976	

**PIM632PLT-FCS**

Faceted Clear Specular Reflector  
 Report number: 23631-R  
 Lamp: CFT32W  
 Fixture Efficiency: 73.0%  
 S/MH: 1.2, 1.3  
 Total Lumens: 2400  
 IES file: F23631-R.IES  
 Beam Angle: 87.39

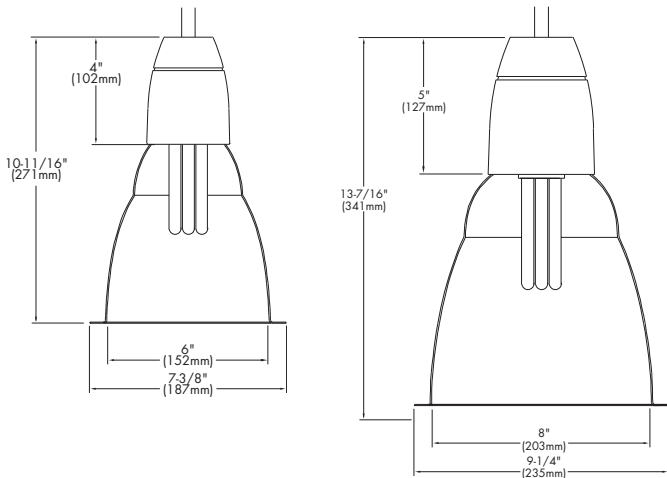


DEGREES	CANDELA		FOOT-LAMBERTS
	AT 0°	AT 90°	
90	0	0	
85	0	0	
75	0	1	17
65	1	1	21
55	16	21	290
45	338	320	4187
35	831	867	
25	1061	1119	
15	1457	1490	
5	1877	1831	
0	1863	1863	

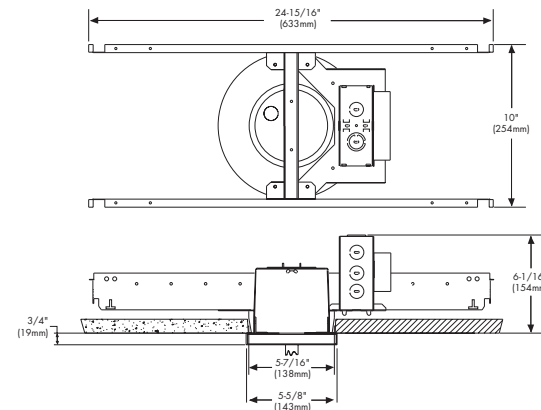
**PIM832PLT-FCS**

Faceted Clear Specular Reflector  
 Report number: 23705-R  
 Lamp: CFT32W  
 Fixture Efficiency: 78.6%  
 S/MH Ratio: 0.8, 0.8  
 Total Lumens: 2400  
 IES file: F23705-R.IES  
 Beam Angle: 64.07

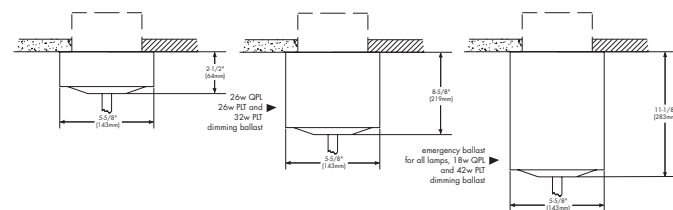
**dimensions**



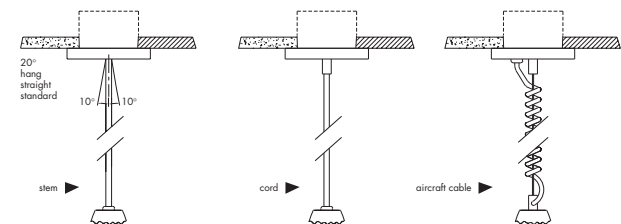
**CFL recessed housing dimensions**



**canopy mount dimensions**



**suspension methods**



OR1-1

776 SOUTH GREEN ST., TUPELO, MS 38804 · PHONE 662.842.7212 · FAX 662.841.5501 · WWW.CAPRIOMEGALIGHTING.COM  
 CANADIAN DIVISION: 189 BULLOCK DRIVE, MARKHAM, ONTARIO, CANADA L3P 1W4 · PHONE 905.294.9570 · FAX 800.268.0003  
 WWW.ORIGINSLIGHTING.COM 5/08