



212pendant

COMPACT FLUORESCENT - ALUMINUM SHROUD

212 Application Concept....General lighting that offers a unique solution that reduces glare without compromising visual comfort. Intended for use in hospitality, corporate and retail environments that require more than the usual aesthetics and performance.

Finish

Metalized finishes or painted.

Material

Housing is die cast aluminum, with precision formed optic.

Mounting

Surface - Accommodates standard 3.5" or 4" octagonal junction box

UL Listed damp location. IBEW union made.



collection	lamp BY OTHERS	finish	shroud	suspension	options	voltage options
OR212	32PLT	GR	ALUM aluminum construction	A1 120' aircraft cables with cord	CL clear lens	U 120-277V
	42PLT	graphite				
	57PLT	PW		S2 17" stem with swivel canopy	F2 fuse 277	Advance Mark X Dimming
	2 lamp options	pewter				
	2V18QPL	BR		WH white paint	DX2 Dimming Advance Mark X, 277V	
	2V26QPL	copper				AL aluminum paint
		BR		fixture finish is applied to all exterior parts	DL1 Dimming Lutron Compact SE, 120V	
		bronze				Footnotes: 1. Black cord standard, except on white painted finish. 2. Add length following option for longer stems, example :S36.
		BK				
				black paint		
		WH				
		white paint				

Omega Lighting 5 Year Limited
Warranty
U.L. and C.U.L. listed damp
location.

IBEW union made.



CAT NO: _____
TYPE: _____
PROJECT: _____

ORI-13
7/09

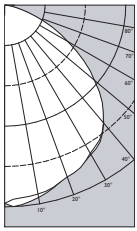
212pendant

COMPACT FLUORESCENT



photometric data — 0° (parallel)
- - - 90° (normal)

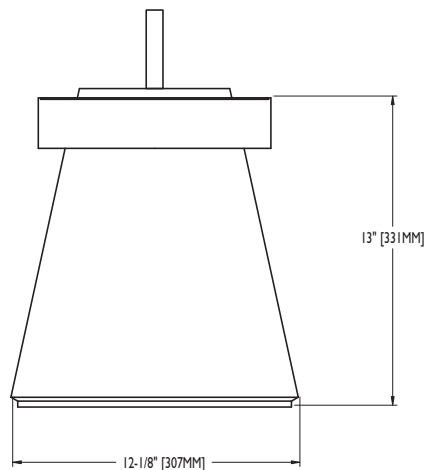
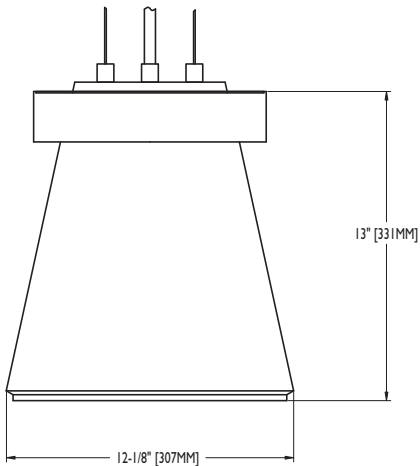
Additional photometric test files are available at www.originslighting.com



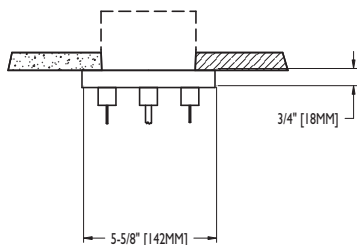
DEGREES LAMBERTS	CANDELA		FOOT-
	AT 0°	AT 90°	
90	2	3	
85	12	12	793
75	84	90	1936
65	258	272	3612
55	481	493	4891
45	702	707	5739
35	853	845	
25	911	918	
15	968	965	
5	1025	990	
0	1015	1015	

OR21257PLT-ALUM
 Report number: 28091
 Lamp: (1) CFT57W
 Fixture Efficiency: 62.3%
 S/MH Ratio (0 degree plane): 1.3
 (90 degree plane): 1.3
 Total Fixture Lumens: 2678
 IES file: 28091.IES
 Beam Angle: 108.41

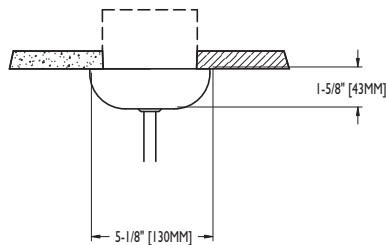
dimensions



suspension mount



canopy mount dimensions



ORI-13