



# WALL700

COMPACT FLUORESCENT

**WALL700 General Characteristics...**Curved 6mm thick, panel glass, frosted on the inside with embossed decorative square pattern, white powder coat mounting plate with brushed AL fasteners. Supplied with electronic ballast.

**WALL700 Application Concept...**European styled wall fitting that offers clean lines, scaled to fit commercial applications.



<u>aperture</u>	<u>lamp</u>	<u>voltage</u>
<u>REQUIRED</u>	<u>REQUIRED</u>	<u>REQUIRED</u>
<b>WALL700</b>	<b>55BX</b>	<b>1</b>
	<b>50BX</b>	120V CFL
	<b>40BX</b>	<b>2</b>
	<b>39BX</b>	277V CFL
	biax CFL	

Omega Lighting 5 Year Limited Warranty  
 U.L. and C.U.L. listed damp location.  
 For Wet Location and Wet Location  
 Covered Ceiling, consult factory.  
 IBEW union made.

Due to the natural aging process of Origins Rust, Patina Copper, and Baroque  
 metalized finishes, variations may exist between fixtures.



CAT NO.: \_\_\_\_\_  
 TYPE: \_\_\_\_\_  
 PROJECT: \_\_\_\_\_

OR2-11

# WALL700

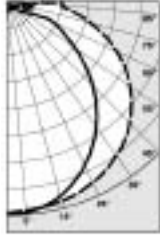
## COMPACT FLUORESCENT



### photometric data

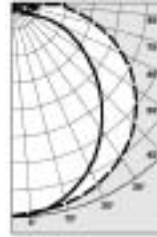
— 0° (parallel)  
 - - - 90° (normal)

Additional photometric test files are available at [www.originslighting.com](http://www.originslighting.com)



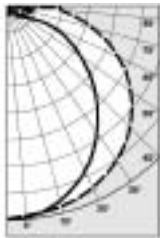
DEGREES	CANDELA		FOOT-LAMBERTS
	AT 0°	AT 90°	
90	29	165	
85	62	195	
75	129	260	
65	174	325	
55	241	381	
45	314	427	
35	383	459	
25	442	482	
15	486	496	
5	507	501	
0	505	505	

**WALL700-39BX**  
 Report number: 23647-R  
 Lamp: F39BX  
 Fixture Efficiency: 71.2%  
 S/MH Ratio: 1.2, 1.4  
 Total Lumens: 2850  
 IES file: F23647-R.IES  
 Beam Angle: 129.28



DEGREES	CANDELA		FOOT-LAMBERTS
	AT 0°	AT 90°	
90	25	198	
85	61	235	
75	155	315	
65	225	390	
55	302	455	
45	381	507	
35	459	547	
25	527	575	
15	577	590	
5	604	597	
0	603	603	

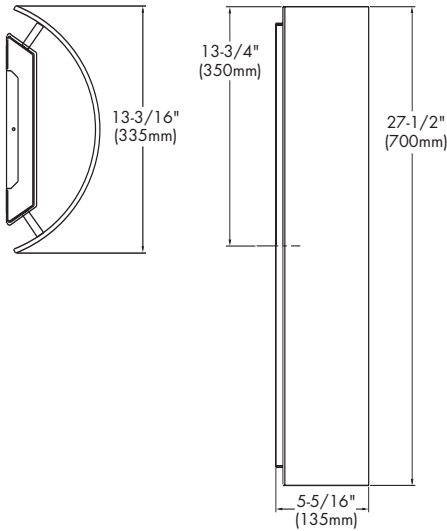
**WALL700-40BX**  
 Report number: 23642-R  
 Lamp: (1) F40BX  
 Fixture Efficiency: 80.6%  
 S/MH Ratio: 1.2, 1.4  
 Total Lumens: 3150  
 IES file: F23642-R.IES  
 Beam Angle: 132.27



DEGREES	CANDELA		FOOT-LAMBERTS
	AT 0°	AT 90°	
90	25	198	
85	61	235	
75	155	315	
65	225	390	
55	302	455	
45	381	507	
35	459	547	
25	527	575	
15	577	590	
5	604	597	
0	603	603	

**WALL700-55BX**  
 Report number: 23642P-R  
 Lamp: (1) F55BX  
 Fixture Efficiency: 80.6%  
 S/MH Ratio: 1.2, 1.4  
 Total Lumens: 4800  
 IES file: F23642-R.IES  
 Beam Angle: 132.17

### dimensions



OR2-11

776 SOUTH GREEN ST., TUPELO, MS 38804 · PHONE 662.842.7212 · FAX 662.841.5501 · [WWW.CAPRIOMEGALIGHTING.COM](http://WWW.CAPRIOMEGALIGHTING.COM)  
 CANADIAN DIVISION: 189 BULLOCK DRIVE, MARKHAM, ONTARIO, CANADA L3P 1W4 · PHONE 905.294.9570 · FAX 800.268.0003  
[WWW.ORIGINSLIGHTING.COM](http://WWW.ORIGINSLIGHTING.COM)