

LEN

COMPACT FLUORESCENT - GLASS PENDANT

TRANSLUCENT

LEN Application Concept...General and task lighting that offers a unique solution to lower glare without compromising visual comfort. Intended for use in hospitality, corporate and retail environments that require more than the usual aesthetics and performance.

Finish

Metalized finishes or painted.

Material

Diffuser is Italian mouth blown cased opal glass. Body is die cast aluminum.

Mounting

Surface - Accommodates standard 3.5" or 4" octagonal junction box
 Recessed - Precision stamped 16 gauge galvanized steel. Accommodates ceilings up to 1-3/8" thick.

UL Listed damp location. IBEW union made.



aperture REQUIRED	lamp REQUIRED	fixture finish REQUIRED	optical glass shade finish REQUIRED	suspension method REQUIRED	electrical REQUIRED	electrical options OPTIONAL	voltage REQUIRED
LEN8 8" aperture	42PLT 32PLT 26PLT 18PLT 26QPL 18QPL 13QPL	GR graphite PW pewter TI titanium CO copper PC patina copper BR bronze RU iron oxide BQ baroque BK black paint WH white paint AL aluminum paint for custom or RAL colors consult factory	HNY honey cased opal BL cobalt blue cased opal OP cased opal (white) CMF caramel frit cased opal BLF cobalt blue frit cased opal OPF cased opal frit (white)	C cord black standard white cord supplied with white fixtures standard length is 120" and can be field modified A aircraft cable black coiled cord, stainless cable - white cord is supplied with white fixtures standard length is 120" of pre-coiled cord and yields an effective suspension length of 12" to 48" S stem stem finish to match fixture standard length is 24" —for other requirements consult factory	R recessed C canopy finish to match fixture	F1 fuse 120 F2 fuse 277 F3 fuse 347 EM Emergency - consult factory for specific application needs.	U CFL 120-277V electronic ballast 3 347V CFL DL1 Dimming Lutron Compact SE, 120V DL2 Dimming Lutron Compact SE, 277V DX1 Dimming Advance Mark X, 120V DX2 Dimming Advance Mark X, 277V EM emergency Length of cord or stem suspension is maximum of 5 feet if recessed or surface mount is used with emergency option For surface mounting, consult factory for specific needs.

Omega Lighting 5 Year Limited Warranty
 U.L. and C.U.L. listed damp location.
 For Wet Location and Wet Location Covered Ceiling, consult factory.
 IBEW union made.

Due to the natural aging process of Origins Rust, Patina Copper, and Baroque metalized finishes, variations may exist between fixtures.



CAT NO.: _____
 TYPE: _____
 PROJECT: _____

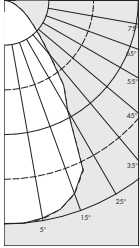
OT2-1
 8/08

COMPACT FLUORESCENT - GLASS PENDANT

photometric data

— 0° (parallel)
 - - - 90° (normal)

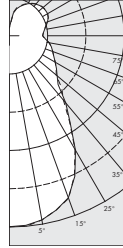
Additional photometric test files are available at www.originslighting.com



DEGREES	CANDELA		FOOT LAMBERTS
	AT 0°	AT 90°	
90	2	2	
85	5	5	516
75	16	16	556
65	32	31	671
55	56	56	879
45	99	98	1254
35	202	201	
25	363	361	
15	419	419	
5	433	433	
0	432	432	

832PLT-BL

Report Number: 25462
 Lamp: CFT32W
 Total Lumens: 2400
 Fixture Efficiency: 26.0%
 IES File: F25462.IES
 S/MH Ratio: 1.0, 1.0
 Beam Angle: 66.89

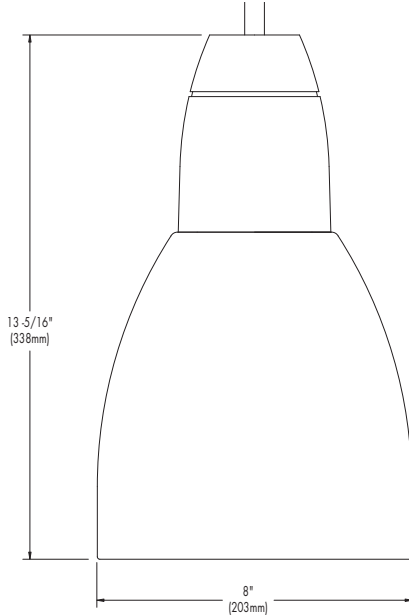


DEGREES	CANDELA		FOOT LAMBERTS
	AT 0°	AT 90°	
90	102	103	
85	110	111	11411
75	134	134	4660
65	151	151	3216
55	176	177	2769
45	228	212	2800
35	323	326	
25	474	477	
15	556	556	
5	589	586	
0	588	588	

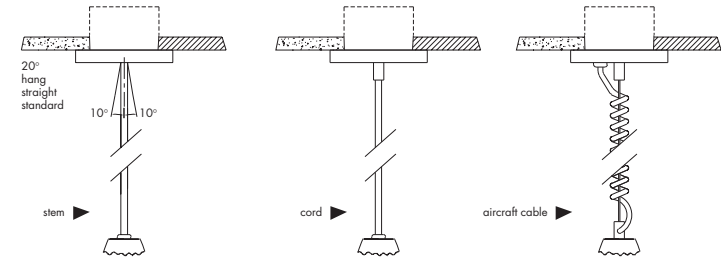
832PLT-OP

Report Number: 25472
 Lamp: CFT32W
 Total Lumens: 2400
 Fixture Efficiency: 87.8%
 IES File: F25472.IES
 S/MH Ratio: 1.1, 1.1
 Beam Angle: 75.08

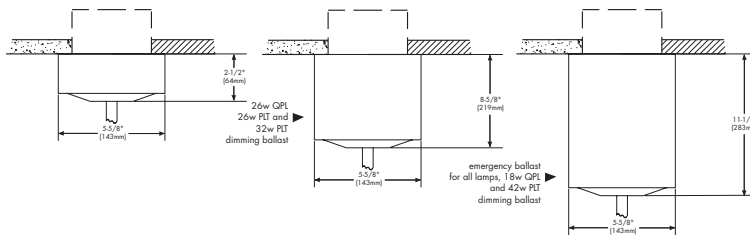
dimensions



suspension methods



canopy mount dimensions



CFL recessed housing dimensions

