

RING

CFL VERTICAL - TRANSLUCENT RING

Decorative Downlight Application Concept...General and task lighting that offers a unique solution to add color and lower glare without compromising visual comfort. Intended for use in hospitality, corporate and retail environments that require more than the usual aesthetics and performance.

Housing

Precision stamped 16 gauge galvanized steel and die cast AL. Accommodates ceilings up to 1-3/8" thick.

Reflectors

Precision spun faceted .050 aluminum. Reflectors have Alzak finish and are mechanically fastened to frame for positive installation.

Decorative Elements

Acrylic decorative element is mechanically mounted to the frame utilizing die cast aluminum retaining ring and tamper resistant fasteners.

UL Listed

UL Listed Damp Location. IBEW union made.



<u>aperture</u> REQUIRED	<u>lamp</u> REQUIRED	<u>reflector finish</u> REQUIRED	<u>mounting ring</u> REQUIRED	<u>decorative element</u> REQUIRED	<u>electrical options</u> OPTIONAL	<u>voltage</u> REQUIRED
ORT6 6" aperture	42PLT	CS clear specular	NA natural aluminum	RNGC clear etched ring	F1 fuse 120	U 120-277V CFL electronic ballast
ORT8 8" aperture	32PLT	CSS clear semi-specular	GR graphite	RRGB blue ring	F2 fuse 277	3 347V CFL
	26PLT	HZ haze	PW pewter	RNGG green ring	F3 fuse 347	
	18PLT	FCS faceted clear specular	TI titanium	RNGA amber ring	EM emergency	DL1 Dimming Lutron Compact SE, 120V
	26QPL	all origins reflectors are Alzak® finished	CO copper			DL2 Dimming Lutron Compact SE, 277V
	18QPL		PC patina copper			DX1 Dimming Advance Mark X, 120V
	13QPL		BR bronze			DX2 Dimming Advance Mark X, 277V
			RU iron oxide			EM emergency
			BQ baroque			Length of cord or stem suspension is maximum of 5 feet if recessed or surface mount is used with emergency option
			BK black (paint)			For surface mounting, consult factory for specific needs.
			WH white (paint)			
			AL aluminum (paint) supplied with tamper resistant fasteners for custom RAL colors consult factory			

Omega Lighting 5 Year Limited Warranty
U.L. and C.U.L. listed damp location.
For Wet Location and Wet Location Covered Ceiling, consult factory.
IBEW union made.
Due to the natural aging process of Origins Rust, Patina Copper, and Baroque metalized finishes, variations may exist between fixtures.



CAT NO.: _____
TYPE: _____
PROJECT: _____

OT4-1
8/08

RING

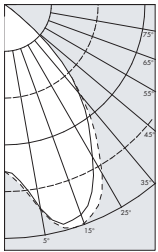
CFL VERTICAL- TRANSLUCENT RING



photometric data

— 0° (parallel)
 - - - 90° (normal)

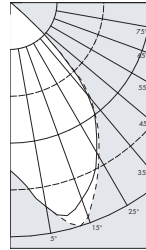
Additional photometric test files are available at www.originslighting.com



DEGREES	CANDELA		FOOT- LAMBERTS
	AT 0°	AT 90°	
90	0	0	
85	0	1	92
75	1	1	62
65	2	4	114
55	23	22	628
45	214	204	4729
35	387	420	
25	546	586	
15	601	611	
5	468	477	
0	441	441	

ORT632PLTCS-NA-RNGB-U

Report number: 25271
 Lamp: CFT32W
 Fixture Efficiency: 37.7%
 S/MH: 1.4, 1.4
 Total Lumens: 2400
 IES file: F25271.IES
 Beam Angle: 88.80

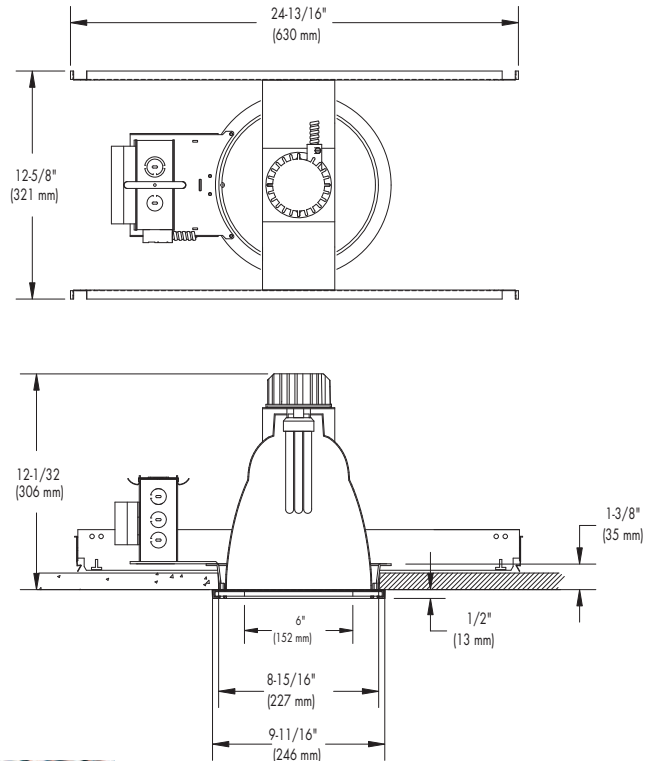
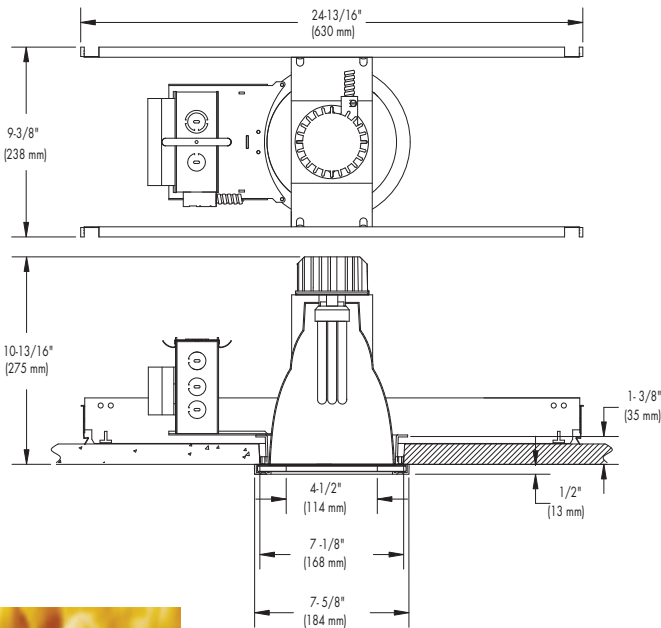


DEGREES	CANDELA		FOOT- LAMBERTS
	AT 0°	AT 90°	
90	1	0	
85	1	1	103
75	2	2	70
65	4	5	96
55	22	18	314
45	251	246	3163
35	537	524	
25	712	684	
15	801	773	
5	637	644	
0	588	588	

ORT832PLTCS-NA-RNGB-U

Report number: 25279
 Lamp: CFT32W
 Fixture Efficiency: 47.6%
 S/MH Ratio: 1.4, 1.4
 Total Lumens: 2400
 IES file: F25279.IES
 Beam Angle: 88.01

dimensions



OT4-1