

# DROP

TRANSLUCENT

## CFL VERTICAL - TRANSLUCENT DROP LENS

**Decorative Downlight Application Concept...**General and task lighting that offers a unique solution to add color and lower glare without compromising visual comfort. Intended for use in hospitality, corporate and retail environments that require more than the usual aesthetics and performance.

### Housing

Precision stamped 16 gauge galvanized steel and die cast aluminum. Accommodates ceilings up to 1-3/8" thick.

### Reflectors

Precision spun faceted .050 aluminum. Reflectors have Alzak finish and are mechanically fastened to frame for positive installation.

### Decorative Elements

Acrylic decorative element is mechanically mounted to the frame utilizing die cast aluminum retaining ring and tamper resistant fasteners.

### UL Listed

UL Listed Wet Location. IBEW union made.



<b>aperture</b> REQUIRED	<b>lamp</b> REQUIRED	<b>reflector finish</b> REQUIRED	<b>mounting ring</b> REQUIRED	<b>decorative element</b> REQUIRED	<b>electrical options</b> OPTIONAL	<b>voltage</b> REQUIRED
<b>ORT6</b> 6" aperture	<b>42PLT</b>	<b>CS</b> clear specular	<b>NA</b> natural aluminum	<b>DRPC</b> clear etched drop lens	<b>F1</b> fuse 120	<b>U</b> 120-277V CFL electronic ballast
<b>ORT8</b> 8" aperture	<b>32PLT</b>					
	<b>26PLT</b>		<b>GR</b> graphite	<b>IPDRPC</b> clear etched drop lens meets requirements for IP55.	<b>F2</b> fuse 277	<b>3</b> 347V CFL
	<b>18PLT</b>		<b>PW</b> pewter		<b>F3</b> fuse 347	
	<b>26QPL</b>		<b>TI</b> titanium	see page OR4-1 for IP information.	<b>EM</b> emergency	<b>DL1</b> Dimming Lutron Compact SE, 120V
	<b>18QPL</b>		<b>CO</b> copper			
	<b>13QPL</b>		<b>PC</b> patina copper			<b>DL2</b> Dimming Lutron Compact SE, 277V
	<b>Socket Type</b> CFM42W/GX24q CFM32W/GX24q CFM26W/GX24q CFM18W/GX24q CFQ26W/G24q CFQ18W/G24q CFQ13W/G24q		<b>BR</b> bronze			<b>DX1</b> Dimming Advance Mark X, 120V
			<b>RU</b> iron oxide			<b>DX2</b> Dimming Advance Mark X, 277V
			<b>BQ</b> baroque			<b>EM</b> emergency
			<b>BK</b> black (paint)			
			<b>WH</b> white (paint)			
			<b>AL</b> aluminum (paint) supplied with tamper resistant fasteners for custom RAL colors consult factory			

Omega Lighting 5 Year Limited Warranty  
U.L. and C.U.L. listed damp location.  
For Wet Location and Wet Location Covered Ceiling, consult factory.  
IBEW union made.  
Due to the natural aging process of Origins Rust, Patina Copper, and Baroque metalized finishes, variations may exist between fixtures.



CAT NO.: \_\_\_\_\_  
TYPE: \_\_\_\_\_  
PROJECT: \_\_\_\_\_

OT4-9

8/08

# DROP

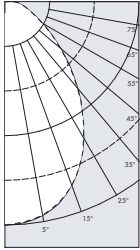
CFL VERTICAL - TRANSLUCENT DROP LENS



**photometric data**

— 0° (parallel)  
 - - - 90° (normal)

Additional photometric test files are available at [www.originslighting.com](http://www.originslighting.com)



CANDIEA			
DEGREES	AT 0°	AT 90°	FOOT LAMBERTS
90	25	25	
85	33	34	6150
75	55	55	3400
65	88	87	3313
55	148	147	4115
45	241	238	5419
35	351	352	
25	465	465	
15	545	543	
5	579	577	
0	583	583	

**ORT632PLTCS-NA-DRPC-U**

Report number: 25280

Lamp: CFT32W

Fixture Efficiency: 47.6%

S/MH: 1.1, 1.1

Total Lumens: 2400

IES file: F25280.IES

Beam Angle: 80.71



CANDIEA			
DEGREES	AT 0°	AT 90°	FOOT LAMBERTS
90	16	17	
85	26	25	2633
75	52	54	1843
65	94	96	2023
55	169	170	2660
45	286	289	3659
35	424	424	
25	555	553	
15	642	643	
5	683	683	
0	687	687	

**ORT832PLTCS-NA-DRPC-U**

Report number: 25278

Lamp: CFT32W

Fixture Efficiency: 55.2%

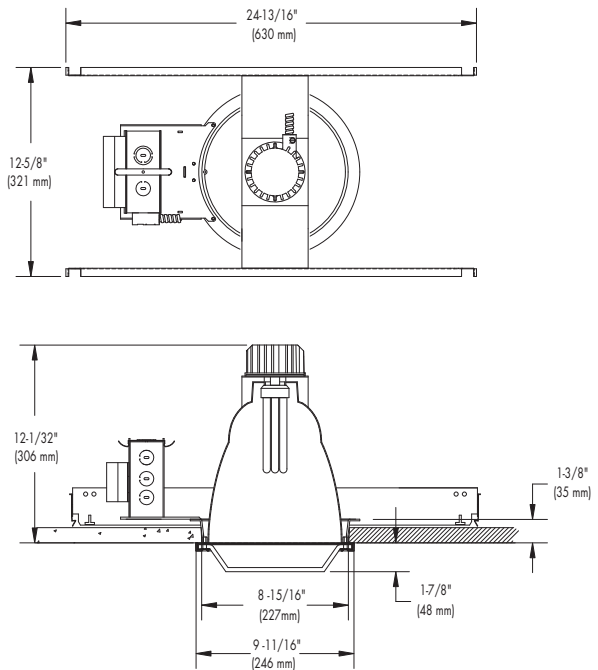
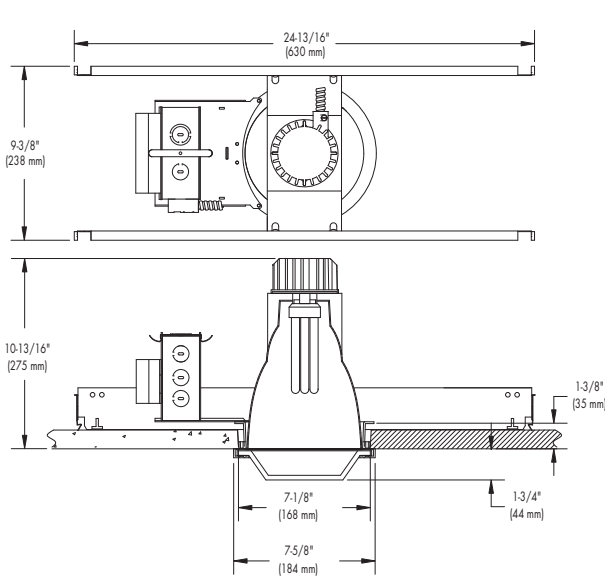
S/MH Ratio: 1.1, 1.1

Total Lumens: 2400

IES file: F25278.IES

Beam Angle: 81.77

**dimensions**



**OMEGA**  
 LIGHTING

OT4-9

776 SOUTH GREEN ST., TUPELO, MS 38804 · PHONE 662.842.7212 · FAX 662.841.5501 · [WWW.OMEGALIGHTING.COM](http://WWW.OMEGALIGHTING.COM)  
 CANADIAN DIVISION: 189 BULLOCK DRIVE, MARKHAM, ONTARIO, CANADA L3P 1W4 · PHONE 905.294.9570 · FAX 800.268.0003  
[WWW.ORIGINSLIGHTING.COM](http://WWW.ORIGINSLIGHTING.COM) 8/08