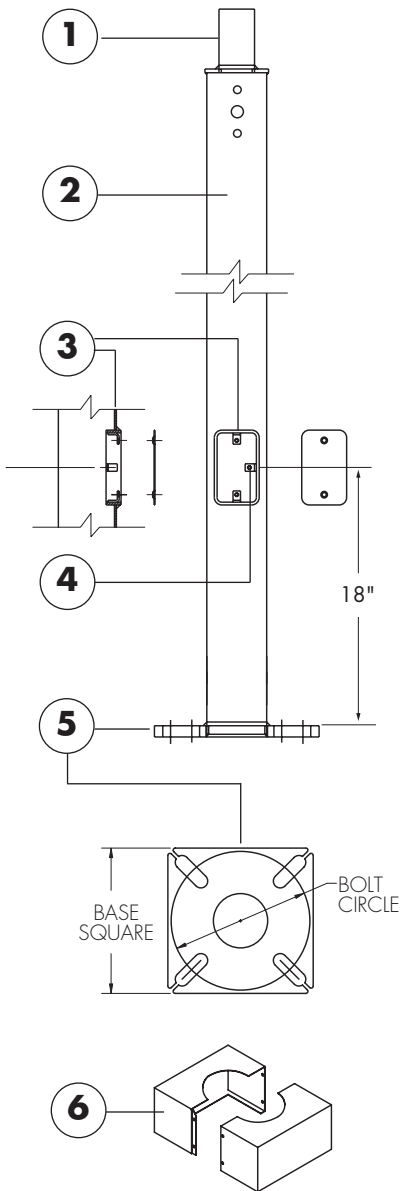


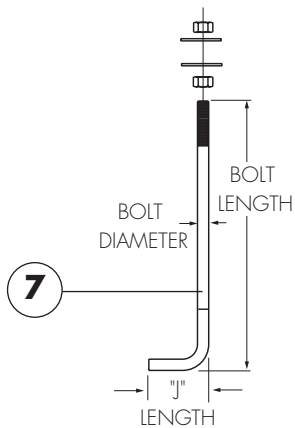
PRODUCT FEATURES



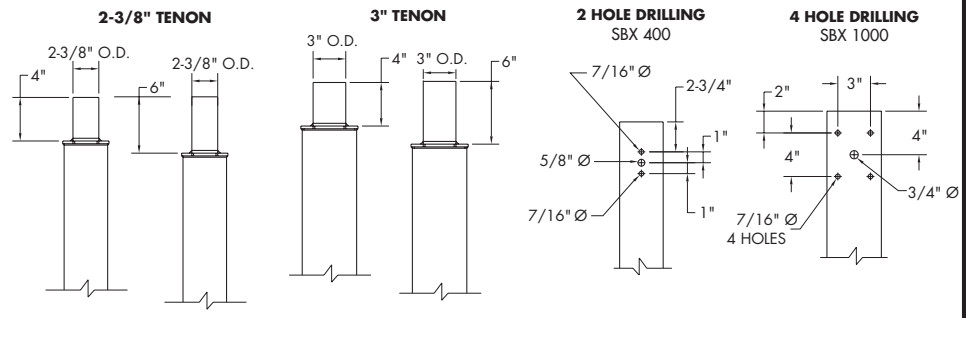
All aluminum alloys shall comply with metallurgical and mechanical properties set forth in the Aluminum Association Standards.

- 1. Shaft**—The shaft shall be extruded from all new seamless 6063 alloy aluminum and shall be heat treated to produce a T6 temper. The shaft shall be drilled to specifications for mounting luminaires. The shaft shall be polished with fine grain aluminum oxide cloths, resulting in a high quality circumferential satin brushed finish. After finishing, each pole shall be fully wrapped with neutral PH krinkle/kraft paper for protection in shipment.
- 2. Anchor base**—The anchor base is cast from A356 alloy aluminum. The shaft shall be inserted into the base casting. The anchor base casting and shaft shall be joined by a continuous circumferential weld at the inside bottom of the anchor base. The completed assembly shall be heat treated to a T6 condition. A356 nut covers shall be included with each anchor base unless otherwise specified.
- 3. Handholes**—All poles in this model range shall include a peripherally reinforced flush covered handhole centered 18" above the bottom of the pole. The opening shall be rectangular in shape with the major dimensions along the vertical axis. The opening in the 4-1/2", 5" and 6" diameter poles shall measure 3"x 5". The opening in the 4" diameter pole shall measure 2-3/8" x 4-1/2".
- 4. Anchor Bolts**—Each anchor base pole shall include: (4) steel hot dip galvanized anchor bolts each with (2) nuts and (2) flat washers sized to match the anchor bolts.
- 5. Special Finishes**—Natural anodize, duranodic, or painted finishes may be specified as an addition to the satin brushed finish, if required. All aluminum parts and accessories shall receive a finish similar to that specified.

WARNING: The information contained within this document is intended as a general guideline only. The customer is solely responsible for proper selection of the pole, luminaire, accessories, and foundation under the given site conditions and intended usage. The mounting of any items to the pole, in addition to the luminaire, will dramatically impact the EPA load on that pole. It is strongly recommended that a qualified professional be consulted to analyze the loads given the user's specific needs to ensure proper selection of the pole, luminaire, accessories, and foundation. Day-Brite Lighting and Genlyte Thomas Group, LLC assume no responsibility for such proper analysis or product selections. Failure to ensure proper site analysis, pole selection, loads and installation can result in pole failure, leading to serious injury or property damage.



MOUNTING CONFIGURATION



Visit our web site at www.daybritelighting.com or www.nitebrites.com

776 South Green Street Tupelo, MS 38804 Phone: 662-842-7212 Fax: 662-841-5501

189 Bullock Drive Markham, Ontario Canada L3P 1W4 Phone: 905-294-9570 Fax: 905-294-8911
Day-Brite Lighting reserves the right to make changes without notice. May 2003. HT2.5M0503
Genlyte Thomas Group, LLC©

PA-46109

