

description

- The LCA Power Packs provide low voltage control for occupancy sensors. Typical applications include: bi-level lighting applications, classrooms, conference rooms, offices, and anywhere optimal lighting and energy savings are desired.

features

LCA2285

- Self-contained transformer and relay
- Internal voltage regulator – regulated 24VDC current, 150mA output
- Fast installation - mounts inside or outside junction box, or inside fluorescent ballast cavity with a simple twist-on nut
- Single or multiple luminaire control
- Heavy duty zero crossing circuitry
- UL 2043 Plenum Rated

LCA2287, LCA2290, & LCA2292

Include the same features as LCA2285, plus:

- HVAC Relay Option
- Companion Add-A-Relay provides additional capacity

specifications

- Construction: Case: high impact, UL rated plastic; relay: Class B (130°C) insulating material; silver alloy contacts; switching power supply: 120-230-277VAC; wire: 6” leads, 18AWG input; LV connections: 7” leads 22 AWG
- Dimensions: 2.400” H x 3.811” W x 1.432” D (60.96 mm x 96.80 mm x 36.37 mm)
- Color: Black
- Listings: UL/cUL Listed, FCC Certified, NOM Certified, and meets ASHRAE 90.1 requirements.
- Operating Environment: 32°F to 104°F (0°C to 40°C); 0% to 90% non-condensing, relative humidity. For indoor use only.
- Optional: HVAC Relay: 0.5A @ 120VAC, 1.0A @ 30VDC.



Specifier's Reference

Project
Type
Model No.
Comments

operation

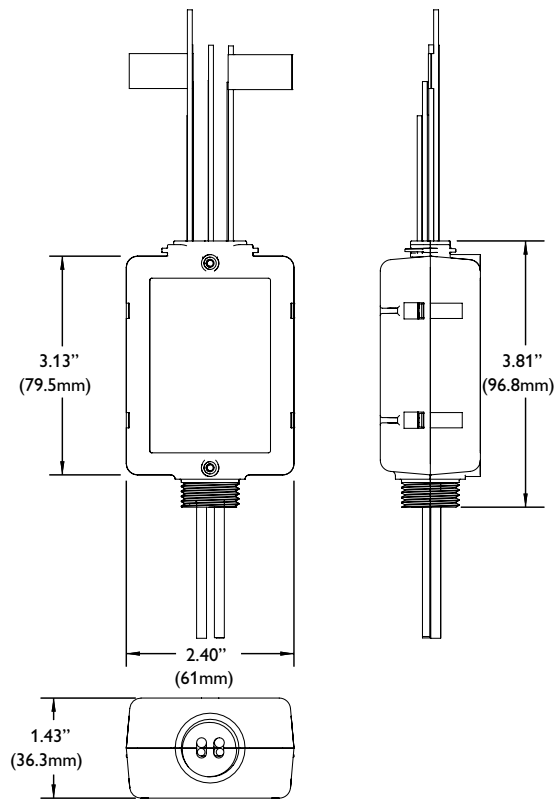
Containing both a 24VDC supply and a 20A line voltage relay for most models, the LCA Series power packs provide low voltage power and line voltage control for LRM Series Occupancy Sensors. Versions include Auto-ON and Manual-ON inputs for occupancy sensors, Hold-ON and Hold-OFF capabilities, and a local input for momentary or maintained dry contact switches.

The internal relay can control up to 20A for a 120, 230, 277VAC or 347V ballast load and 20A for a 120VAC incandescent load. The LCA Series Power Packs are also used to supply power to low voltage sensors. The Power Packs conveniently mount in a knockout hole of a standard junction box. The units can be placed inside or outside the junction box with a simple twist-on nut.

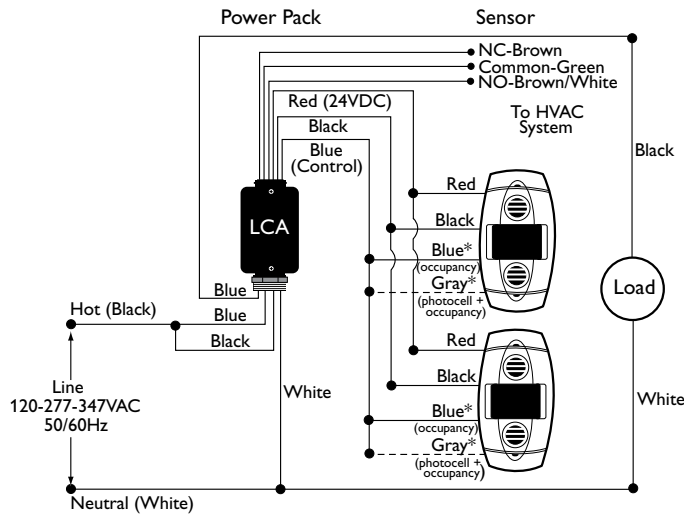
Ordering Information:

Part Number	Description	Power Input	Relay Rating	Control Input	Power Supply Output
LCA2285	Power Pack	120-230-277VAC, 50/60Hz	20A fluorescent/incandescent @120V, 20A fluorescent @230-277V; 1HP @120V, 2HP @ 240V	5mA, 24VDC	150mA, 24VDC
LCA2287	Power Pack with HVAC Relay	120-230-277VAC, 50/60Hz	20A fluorescent/incandescent @120V, 20A fluorescent @277V; 1HP @120V, 2HP @ 240V; HVAC: 0.5A @120VAC, 1A @30VDC	5mA, 24VDC	150mA, 24VDC
LCA2290	Power Pack with HVAC Relay	347VAC, 60Hz	15A fluorescent @347V; 1HP @120V, 2HP @240V; HVAC: 0.5A @120VAC, 1A @30VDC	5mA, 24VDC	120mA, 24VDC
LCA2292	Power Pack with HVAC Relay Auto-ON and Manual-ON Inputs for Occupancy Sensors	12-230-277VAC, 50/60Hz	20A incandescent @120V 20A fluorescent @120-230-277/347V; 1/2 HP @120V, 2HP @240-277V; HVAC: 0.5A @120VAC, 1A @30VDC	5mA, 24VDC	255mA, 24DC

dimensions



wiring diagrams



©2012 Philips Day-Brite  
 All rights reserved.  
 776 South Green Street • Tupelo, MS 38804  
 p. 800.234.1890 • f. 662.841.5501 • www.daybrite.com  
 Canadian Division  
 189 Bullock Drive • Markham, Ontario L3P 1W4  
 p. 905.294.9570 • f. 905.294.9811

Contact Factory for Additional Configurations.  
 Specifications are subject to change without notice.