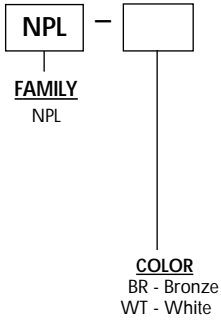


JOB NAME \_\_\_\_\_  
TYPE \_\_\_\_\_

The NPL Par Lamp Holders are ideal for residential, security, and general lighting.

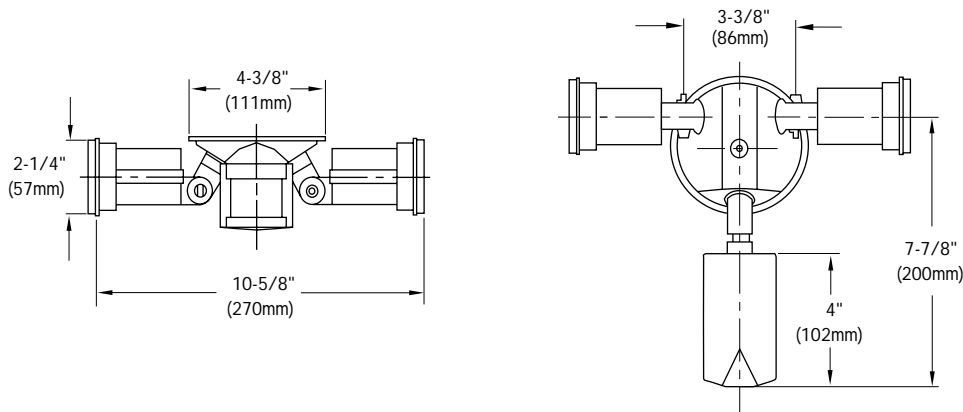
### ORDERING MATRIX

SAMPLE CATALOG NUMBER: NPL-WT



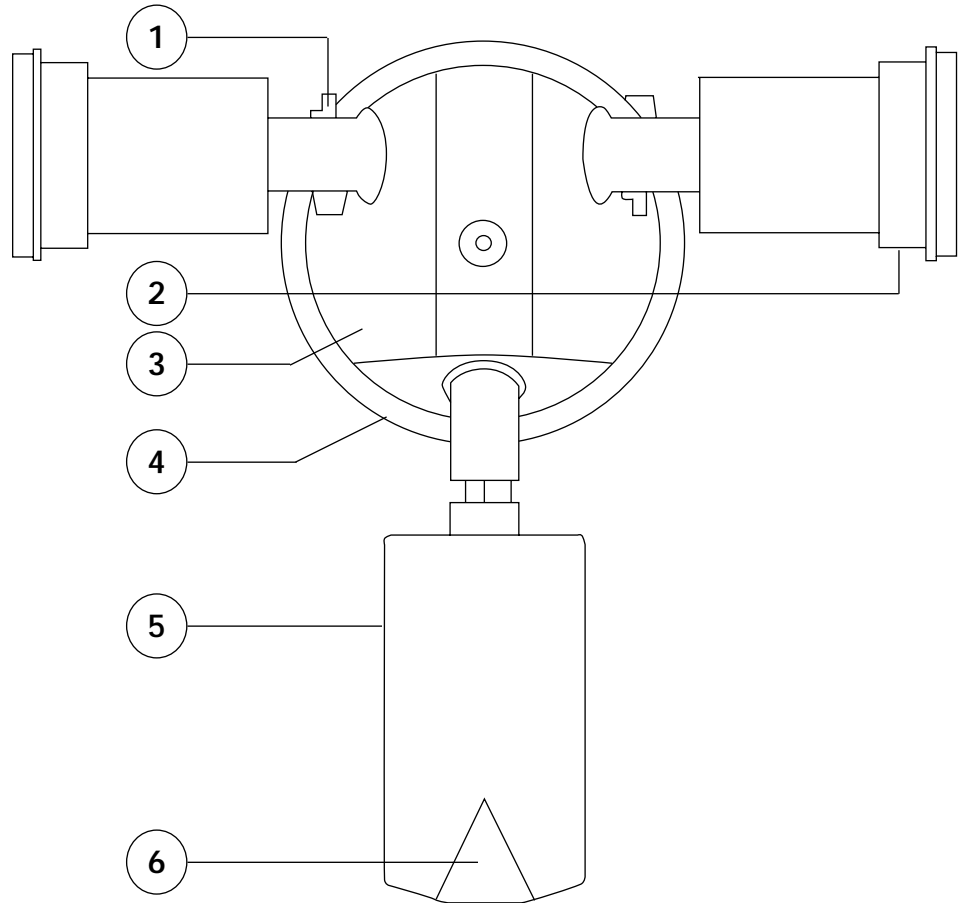
### DIMENSIONS

WEIGHT = 1 lb.



## PRODUCT FEATURES

1. Toolless vertical and horizontal lamp aiming.
2. Accepts up to a 150 watt PAR 38 lamp (lamps sold separately).
3. Durable plastic outlet covers and lamp covers.
4. Bronze or white finish.
5. Aimable motion detector is adjustable for sensitivity, length of illumination and 24 hour or night only detection.
6. 180° range of motion detection.



Visit our web site at [www.daybritelighting.com](http://www.daybritelighting.com)

776 South Green Street Tupelo, MS 38804 Phone: 662-842-7212 Fax: 662-841-5501

**QI-45020**

189 Bullock Drive Markham, Ontario Canada L3P 1W4 Phone: 905-294-9570 Fax: 905-294-8911  
Day-Brite Lighting reserves the right to make changes without notice. ©September 2001. DL2.5M0901  
Day-Brite Lighting is a Genlyte Thomas Group.

 **Day-Brite Lighting**