

# QL6, QL6QP

6" QuickLights® 180 Recessed Incandescent Housing  
New Construction - IC & Non-IC/AirSeal™

Catalog Number: \_\_\_\_\_

Type: \_\_\_\_\_

Project: \_\_\_\_\_



### Description

For new construction. Thermally protected, labor savings recessed housing. Adjustable socket mounting plate. Fixture can be used for direct contact of ceiling insulation and is AirSeal™ rated. For higher wattage lamps, ceiling insulation must be a minimum of three inches from recessed fixture.

### Features

- Labor saving engineered polymer plaster frame includes nails for fast installation.
- Housing adjusts vertically in plaster frame to allow for variations in ceiling thickness.
- IC - 90W Maximum and Non IC - 150W Maximum
- Fixture is provided with stepless adjustable socket mounting plate which can be removed for full reflector socket supporting type trims.
- Patent-pending movable junction box snaps into either right or left of downlight housing frame to provide maximum installation flexibility.
- Thermal protection standard.
- AirSeal™ meets Washington State Energy Code (W.S.E.C.) requirements.
- cUL Listed for through-branch wiring and damp locations.



## CATALOG SYSTEM AND OPTIONS

SAMPLE CATALOG NUMBER: QL6-RB45W

Housing	Trims (choose one)							
QL6	RB30	Black Baffle	RF30SB	Satin Brass Open Trim	RM30	Black Stepped Baffle	RMA101W	White Black Baffled Reflector
QL6QP	RB30W	Full White Baffle	RF30C	Chrome Open Trim	RM30W	White Stepped Baffle	R19P	White Trim with Black Stepped Baffle
(with quick plug connectors)	RB40	Black Baffle	RF30W	White Open Trim	RM30-OV	Black Stepped Baffle w/Oversize trim ring	R30B	Satin Brass Open Trim
QL6QPG	RB40W	Full White Baffle	RF40C	Chrome Open Trim	RM30W-OV	White Stepped Baffle w/Oversize trim ring	R30C	Satin Chrome Lens
(with quick plug connectors and gasket)	RC30G	Gold Cone	RF40SB	Satin Brass Open Trim	RM40	Black Stepped Baffle	R30P	White Open Trim
	RC30C	Clear Cone	RF40W	White Open Trim	RM40W	White Stepped Baffle	R30PB	Polished Brass Open Trim
	RC30BK	Black Cone	RS30W	White Splay	RM40-OV	Black Stepped Baffle w/Oversize trim ring	R30BRN	Brushed Nickel Open Trim
	RC30W	White Cone	RS30BRN	Brush Nickel Splay	RM40W-OV	White Stepped Baffle w/Oversize trim ring	R40P	White Open Trim
	RA100W	White Multiplier	R18P	White Eyeball	RM40W-OV	White Stepped Baffle w/Oversize trim ring	R40C	Anodized Satin Chrome Open Trim
	RA100G	Gold Multiplier	R18PB	Polished Brass Eyeball	RMS30CLR	Clear Reflector	HS30CLR	Clear Reflector
	RA100C	Clear Multiplier	R18BRN	Brushed Nickel Eyeball	RMS30GLD	Gold Reflector	HS30GLD	Gold Reflector
	RA100S	Shallow Cone Clear	RM38W	Regressed White Eyeball w/White Baffle	RMS30BLK	Black Reflector	HS30BLK	Black Reflector
	RA100C	Clear Multiplier	RM38	Regressed White Eyeball w/Black Baffle	RMS30WHT	White Reflector	HS40CLR	Clear Reflector
	RA100S	Shallow Cone Clear	RM48W	Regressed White Eyeball w/White Baffle	RMS40CLR	Clear Reflector	HS40GLD	Gold Reflector
	RA100S	Shallow Cone Clear	RM48	Regressed White Eyeball w/Black Baffle	RMS40GLD	Gold Reflector	HS40BLK	Black Reflector
	RA100S	Shallow Cone Clear	RM48	Regressed White Eyeball w/Black Baffle	RMS40BLK	Black Reflector	R13P	White Fresnel
	RA100S	Shallow Cone Clear	RM48	Regressed White Eyeball w/Black Baffle	RMS40WHT	White Reflector	R14P	White Regressed Fresnel
	RA100S	Shallow Cone Clear	RM48	Regressed White Eyeball w/Black Baffle	RMA99	Self Lipped White Reflector	SHR12IC	Regressed Glass Shower Light
	RA100S	Shallow Cone Clear	RM48	Regressed White Eyeball w/Black Baffle	RMA100CLR	A-Lamp Clear Specular Reflector	SHR12ICP	Alcalite Shower Light
	RA100S	Shallow Cone Clear	RM48	Regressed White Eyeball w/Black Baffle	RMA100GLD	A-Lamp Gold Specular Reflector	SHR16ICP	Regressed Drop Opal Shower Light
	RA100S	Shallow Cone Clear	RM48	Regressed White Eyeball w/Black Baffle	RMA100BLK	A-Lamp Black Specular Reflector	SH16ICP	Drop Opal Shower Light
	RA100S	Shallow Cone Clear	RM48	Regressed White Eyeball w/Black Baffle	RMA101	Clear Black Baffled Reflector	SH36	Drop Round Shower Light
	RA100S	Shallow Cone Clear	RM48	Regressed White Eyeball w/Black Baffle			RAD40W	Deep Cone White
	RA100S	Shallow Cone Clear	RM48	Regressed White Eyeball w/Black Baffle			RAD40BLK	Deep Cone Black

Custom colors are available on select trims. See [www.caprilighting.com](http://www.caprilighting.com) for brochure and additional information.

## SPECIFICATIONS

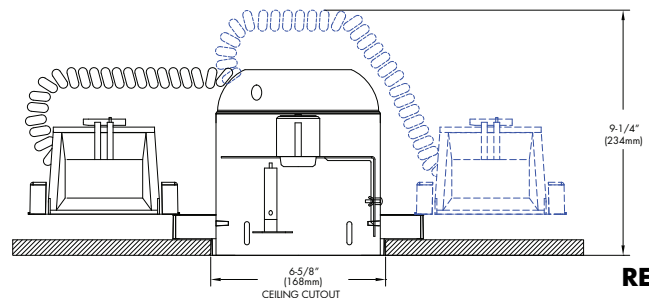
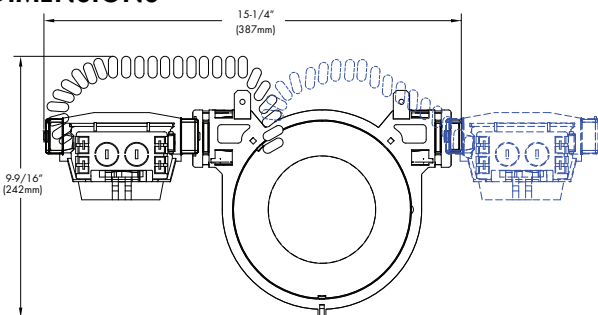
- Housing** - Constructed of .032 aluminum. Adjusts vertically in plaster frame to accommodate ceilings 1/2" to 1-1/2" thick. Housing can be pulled through plaster frame for access to junction box. Accommodates lamps up to 150 watts, depending on trim used and application to direct contact of ceiling insulation. Ceiling opening of 6 5/16". Dome is constructed of heavy-duty steel.
- Plaster Frame** - High impact, high temperature, lightweight injection-molded plaster frame. Self-leveling frame ensures accurate positioning. Two preinstalled double-headed nails fasten plaster frame to joist. Double-headed 16 penny nails permit easy repositioning if required. May also be used with 27" flat BH3 bar hangers or BH1 adjustable bar hangers.

- Socket** - Medium base screw shell porcelain socket, mounts with snap-in clips to adjustable socket holder. Stepless adjustable socket holder, retained by single wingnut, adjusts vertically to accommodate a wide variety of lamp and trim options.
- Junction Box** - Movable non-conductive junction box with four pry-out knockouts for non-metallic sheathed cable (Romex) and two 1/2" conduit pry-outs. Captive door hinges upward and stays open to permit fast electrical connections. Romex connectors not required. Staple Romex to joist within 8 inches of junction box. Meets all safety requirements of UL and the N.E.C.
- IC & Non-IC** - Housing is UL Listed for direct contact with thermal insulation. For Non-IC applications higher wattages may be used. Insulation must be kept three inches away from housing in non-IC applications.

- Thermal **Protection** - Standard thermal protection device inside housing automatically takes fixture out of service if temperature becomes excessive from over-lamping, or wrong lamp/trim combination.
- 7. **cUL Listed** for damp locations and through branch wiring, 4 in/4 out.
- 8. **AirSeal™** - Fixture is AirSeal™ rated preventing the passage of no more than two cubic feet of air per minute through housing. AirSeal™ rated to ASTM E283.

- Accessories** (Order separately)
- Pair 27" Flat Bar Hangers ..... **BH3**
  - Pair Pre-Nailed Adjustable Bar Hangers ..... **BH1**
  - Oversize Trim Ring ..... **OV1** (for half reflector, bracket required NON IC type trims)
  - Oversize Trim Ring ..... **OV2** (for full reflector, socket supporting IC type trims)

## DIMENSIONS



REV. 02/09

RC1-14.1

# 6" TRIMS



**R18P**  
White Eyeball (shown)  
**R18PB** Polished Brass  
**R18BRN** Brushed Nickel Eyeball  
Socket Supporting  
30° Tilt  
8" O.D. (203 mm)

Lamp	IC	Non-IC
QL6		
R/BR30	75W	100W



**RM30** (Shown)  
Black Stepped Baffle  
**RM30W** White Stepped Baffle  
**RM30-OV** w/oversize trim ring  
**RM30W-OV** w/oversize trim ring  
Bracket Required  
7-3/8" O.D. (187 mm)

Lamp	IC	Non-IC
QL6		
PAR30	50W	75W
R/BR30	75W	100W



**RMA101** (Shown)  
Clear Black Baffle Reflector  
**RMA101W** A-Lamp Clear  
White Baffle Reflector  
Bracket Required  
7-1/16" O.D. (179 mm)

Lamp	IC	Non-IC
QL6		
PAR30	50W	75W
R/BR30	75W	100W



**RMS30CLR** (Shown)  
Clear Reflector  
**RMS30GLD** Gold Reflector  
**RMS30BLK** Black Reflector  
**RMS30WHT** White Reflector  
Bracket Required  
7-3/8" O.D. (187 mm)

Lamp	Non-IC ONLY
QL6	
PAR38	150W
R/BR40	150W



**RMS100CLR** (Shown)  
Clear Reflector  
**RMS100GLD** Gold Reflector  
**RMS100BLK** Black Reflector  
**RMS100WHT** White Reflector  
Bracket Required  
7-3/8" O.D. (187 mm)

Lamp	Non-IC ONLY
QL6	
A19	100W



**R30B** (Shown)  
Anodized Satin Brass Open Trim  
**R30C** Anodized Satin Chrome  
**R30P** White  
**R30PB** Polished Brass  
**R30BRN** Brushed Nickel  
Bracket Required  
8" O.D. (203 mm)

Lamp	IC	Non-IC
QL6		
R/BR30	65W	75W



**R40C** (Shown)  
Anodized Satin Chrome  
**R40P** White Open Trim  
Bracket Required  
8" O.D. (203 mm)

Lamp	Non-IC ONLY
QL6	
R/BR40	150W



**RMA99** A-Lamp Self-lipped  
White Reflector

Accepts no trim accessories  
Bracket Required  
7" O.D. (178 mm)

Lamp	Non-IC ONLY
QL6	
A19	75W



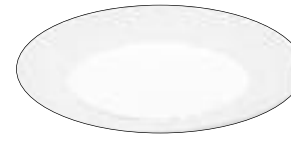
**RM40W** (Shown) Full White Baffle  
**RM40** Full Black Baffle  
Bracket Required  
7-3/8" O.D. (187 mm)

Lamp	Non-IC ONLY
QL6	
PAR38	150W
R/BR40	150W



**R16P**  
Drop Opal Shower Light, White  
Wet Location Approved  
Bracket Required  
8" O.D. (203 mm)

Lamp	Non-IC ONLY
QL6	
A19	60W



**R12P**  
Albalite Shower Light  
Wet location approved

Bracket Required  
8" O.D. (203 mm)

Lamp	Non-IC ONLY
QL6	
A19	60W



**PSH17P**  
Polycarbonate Shower Light  
Drop Opal Lens  
Wet Location  
Bracket Required  
8" O.D. (203 mm)

Lamp	Non-IC ONLY
QL6	
A19	60W

Trims shown here are the most popular choices. For a complete trim offering see sheet numbers RC1-23A & RC1-23B or go to the Capri Trim Gallery at [www.caprilighting.com](http://www.caprilighting.com)

\* Canadian product offering specifications and wattages may vary from those shown.

This product may be covered by one or more of the following U.S. Patents: #4,408,262, #4,703,406, #4,723,747, #4,910,651, #5,057,979. Other U.S. or Foreign Patents may apply.

Capri Lighting reserves the right to make changes without notice. ©2009

## RC1-14.1

**CAPRI LIGHTING:**  
776 South Green St., Tupelo, MS 38804  
Phone 662.842.7212 FAX 662.841.5501  
[www.caprilighting.com](http://www.caprilighting.com)

**CANADIAN DIVISION:**  
189 Bullock Drive, Markham, Ontario, Canada L3P 1W4  
Phone 905.294.9570 FAX 800.268.0003

**capri**  
LIGHTING