

QL6NB

6" QuickLights® 180 Recessed Incandescent Housing
New Construction - IC & Non-IC/AirSeal™

Catalog Number: _____

Type: _____

Project: _____



Description

For new construction. Thermally protected labor saving recessed housing. Engineered polymer plaster frame includes pre-positioned nails for fast installation. Fixture can be used for direct contact of ceiling insulation and is AirSeal™ rated. For higher wattage non IC applications, ceiling insulation must be a minimum of three inches from recessed fixture. Housing ships without socket bracket and accepts socket supporting trims only.

Features

- IC - 90W Maximum and Non IC - 150W Maximum
- Housing adjusts vertically in plaster frame to allow for variations in ceiling thickness.
- Labor saving engineered polymer plaster frame includes nails for fast installation.
- Wide variety of trims.
- Thermal protection standard.
- cUL Listed for Through-Branch Circuit Wiring and Damp Locations.
- Patent pending movable junction box snaps onto either right or left of downlight frame to provide maximum installation flexibility.



CATALOG SYSTEM AND OPTIONS

SAMPLE CATALOG NUMBER: QL6NB-RB30W

Housing	Trims (choose one)					
QL6NB	RB30	Black Baffle	RF30W	White	RB45	Scoop Wall Wash, Black Baffle
QL6NBQP	RB30W	Full White Baffle	RF40C	Chrome Open Trim	RB45W	Scoop Wall Wash, White Baffle
(with quick plug connectors)	RB40W	Full White Baffle	RF40SB	Satin Brass Open Trim	RAD40	Deep Cone White
QL6NBQPG	RB40	Black Baffle	RF40W	White	RAD40BLK	Deep Cone Black
(with quick plug connectors and gasket)	RC30G	Gold Cone	RS30W	White Splay	RCS30	Shallow Cone Clear
	RC30C	Clear Cone	RS30BRN	Brushed Nickel Splay	RCS30W	Shallow Cone White
	RC30BK	Black Cone	R18P	White Eyeball	RBS30	Shallow Baffle Black
	RC30W	White Cone	R18PB	Polished Brass Eyeball	RBS30W	Shallow Baffle White
	RA100W	White Multiplier	R18BRN	Brushed Nickel Eyeball	RBD40	Deep Baffle Black
	RA100G	Gold Multiplier	RM38W	White Stepped Baffle, Regressed Eyeball	SHR12IC	Regressed Glass Shower Light
	RA100C	Clear Multiplier	RM38	Black Stepped Baffle, Regressed Eyeball	SHR16IC	Regressed Glass Drop Opal Shower Light
	RBC30	Black with Leaf Springs	RM48	Black Stepped Baffle, Regressed Eyeball	SH12IC	Albalite Shower Light
	RBC30W	Full White with Leaf Springs	RM48W	White Stepped Baffle, Regressed Eyeball	SH36	Drop Round Shower Light
	RAC30W	Full White Cone with Leaf Springs	R38P	Baffled Eyeball	R6SHR	Regressed Open Shower Light
	RAC30	Black Cone with Leaf Springs	R38PB	Polished Brass Eyeball		
	RF30SB	Satin Brass Open Trim				
	RF30C	Chrome				

Custom colors are available on select trims. See www.caprilighting.com for brochure and additional information.

SPECIFICATIONS

- Housing** - Constructed of .032 aluminum. Adjusts vertically in plaster frame to accommodate ceilings 1/2" to 1-1/2" thick. Housing can be pulled through plaster frame for access to junction box. Accommodates lamps up to 150 watts, depending on trim used and application to direct contact of ceiling insulation. Ceiling opening of 6-5/16". Dome constructed of heavy-duty steel.
- Plaster Frame** - High impact, high temperature, lightweight injection-molded plaster frame. Self-leveling frame ensures accurate positioning. Two preinstalled double-headed nails fasten plaster frame to joist. Double-headed 16 penny nails permit easy repositioning if required. May be used with 27" flat BH3 bar hangers or BH1 pre-nailed adjustable bar hangers.

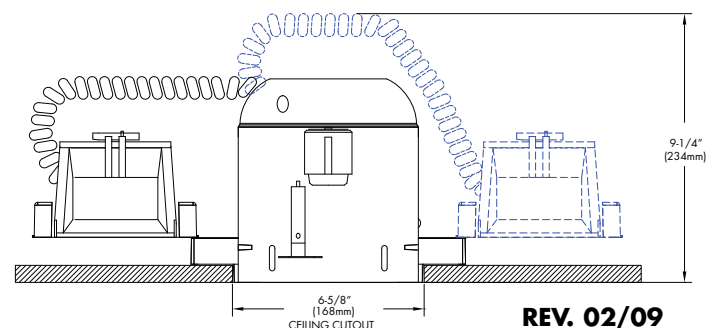
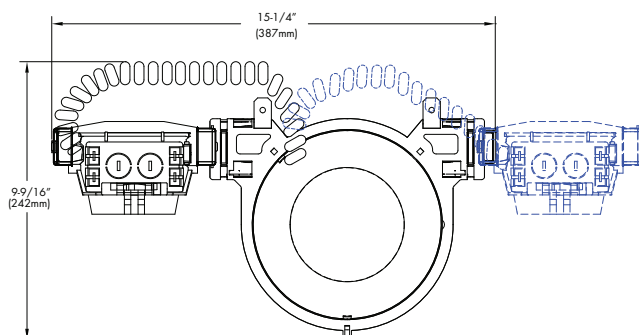
- Socket** - Medium base screw shell porcelain socket, mounted with snap-in clips to top of trim.
- Bar Hangers** - Standard housing includes 27" flat BH3 bar hangers. Also accommodates BH1 pre-nailed, adjustable bar hangers.
- Junction Box** - Moveable non-conductive junction box with four pry-out knockouts for non-metallic sheathed cable (Romex) and two 1/2" conduit pry-outs. Captive door hinges upward and stays open to permit fast electrical connections. Romex connectors not required. Staple Romex to joist within 8 inches of junction box. Meets all safety requirements of U.L. and the N.E.C.
- IC & Non-IC** - Housing is UL Listed for direct contact with thermal insulation. For Non-IC applications higher wattages maybe used. Insulation must be kept three inches away from housing in non-IC applications.

- Thermal Protection** - Standard thermal protection device inside housing automatically takes fixture out of service if temperature becomes excessive from contact with insulation, overlampping, or wrong lamp/trim combination.
- cUL Listed** for Damp Locations and Through Branch Wiring, 4 in/4 out.
- AirSeal™** - Fixture is AirSeal™ rated according to ASTM E283 to no more than 2.0 cubic feet of air per minute at 75 pascals. Fixture meets Washington State Energy Code and Energy Conservation Code.

Accessories (Order separately)

- Upsize Trim Ring **OV2**
(For use with full reflector IC type trims.)
- Pair of 27" Flat Bar Hangers **BH3**
- Pair of Pre-Nailed Adjustable Bar Hangers **BH1**

DIMENSIONS



REV. 02/09



RC1-18.1



6" TRIMS



RB30 (shown)
Full Black Baffle
RB30W Full White Baffle
RB30BRN
Brushed Nickel Baffle
7-1/16" O.D. (179 mm)

Lamp	IC	Non-IC
QL6NB		
PAR30L	75W	—
PAR30	50W	75W
R/BR30	75W	75W
PAR38	90W	150W



RB40W (Shown)
Full White Baffle
RB40
Black Baffle
Socket Supporting
7-1/16" O.D. (179 mm)

Lamp	IC	Non-IC
QL6NB		
PAR30L	75W	—
PAR30	50W	75W
BR30	75W	75W
BR40	90W	150W
PAR38	90W	150W



RC30G (Shown)
Gold Cone
RC30C
Clear Cone
RC30BK
Black Cone
RC30W
White Cone
Socket Supporting
7-1/16" O.D. (179 mm)

Lamp	IC	Non-IC
QL6NB		
PAR30L	75W	—
PAR30	50W	75W
R/BR30	75W	75W
PAR38	90W	150W



R18P
White Eyeball (shown)
R18PB
Polished Brass
R18BRN
Brushed Nickel
Socket Supporting
30° Tilt
8" O.D. (203 mm)

Lamp	IC	Non-IC
QL6NB		
R/BR30	75W	100W



RBC30 (Shown)
Black Baffle w/ Leaf Springs
RBC30W
Full White Baffle w/ Leaf Springs
Socket Supporting
7-1/16" O.D. (179 mm)

Lamp	Non-IC ONLY
QL6NB	
PAR30	75W
R/BR30	75W
PAR38	150W



RAC30W (Shown)
Full White Cone w/ Leaf Springs
RAC30
Black Cone w/ Leaf Springs
Socket Supporting
7-1/16" O.D. (179 mm)

Lamp	Non-IC ONLY
QL6NB	
PAR30	75W
R/BR30	75W
PAR38	150W



RF30SB (Shown)
Satin Brass Open Trim
with Socket Bracket
RF30C
Chrome
RF30W
White
Socket Supporting
8" O.D. (203 mm)

Lamp	IC	Non-IC
QL6NB		
PAR30	50W	75W



RF40C (Shown)
Chrome Open Trim
with Socket Bracket
RF40SB
Satin Brass
RF40W
White
Socket Supporting
8" O.D. (203 mm)

Lamp	Non-IC ONLY
QL6NB	
R/BR40	60W
PAR38	60W



RS30W
White Splay
RS30BRN
Brushed Nickel Splay
Socket Supporting
7-1/16" O.D. (179 mm)

Lamp	IC	Non-IC
QL6NB		
PAR30	75W	75W
R/BR30	75W	75W



SH12IC
Albalite Shower Light
Wet location approved
Socket Supporting
8" O.D. (203 mm)

Lamp	IC	Non-IC
QL6NB		
A19	25W	40W



R6SHR (Shown)
Recessed Open Shower Light
Wet Location Approved
Socket Supporting
7-1/16" O.D. (179 mm)

Lamp	IC	Non-IC
QL6NB		
PAR38	75W	90W



SHR12IC
Regressed Glass Shower Light
Wet Location Approved
Socket Supporting
8" O.D. (203 mm)

Lamp	IC	Non-IC
QL6NB		
A19	25W	60W

Trims shown here are the most popular choices. For a complete trim offering see sheet numbers RC1-23A & RC1-23B or go to the Capri Trim Gallery at www.caprilighting.com

This product may be covered by one or more of the following U.S. Patents: #4,408,262, #4,703,406, #4,723,747, #4,910,651, #5,057,979. Other U.S. or Foreign Patents may apply.

Capri Lighting reserves the right to make changes without notice. ©2009

RC1-18.1

CAPRI LIGHTING:
776 South Green St., Tupelo, MS 38804
Phone 662.842.7212 FAX 662.841.5501
www.caprilighting.com

CANADIAN DIVISION:
189 Bullock Drive, Markham, Ontario, Canada L3P 1W4
Phone 905.294.9570 FAX 800.268.0003

capri
LIGHTING