

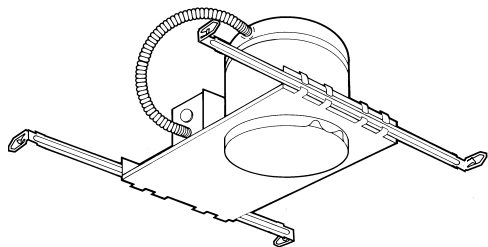
R9*

6" Shallow Incandescent Recessed Housing New Construction - Non-IC Rated

Catalog Number: _____

Type: _____

Project: _____



Description

For new construction. Thermally protected shallow recessed housing. Furnished with pre-installed BH6 SURE-LOK® adjustable bar hangers, and adjustable socket mounting plate. Breakaway plaster frame provides remodel capability. Designed for installations with vertical clearance restrictions. Fits 2" x 6" joist construction, or other shallow plenum applications.

Features

- Housing adjusts vertically in plaster frame to allow for variations in ceiling thickness.
- Pre-installed BH6 SURE-LOK® bar hangers included.
- 75W Maximum
- Detachable compact plaster frame may be passed through 6-3/8" ceiling opening.
- Wide variety of trims.
- Stepless adjustable socket holder plate with index marking allows precise adjustments to any position without tools.
- Thermal protection standard.
- UL Listed for Through-Branch Circuit Wiring and Damp Locations.

CATALOG SYSTEM AND OPTIONS

SAMPLE CATALOG NUMBER: R9-RM30

Housing	-	Trims			
R9		RM30	Stepped Baffle Black	SH12P	Albalite Shower Light, White
		RM30W	Stepped Baffle White	PSH12P	Polycarbonate Shower
		RM30-OV	Stepped Baffle w/trim ring	PSH12CLR	Polymer Clear Lens
		RM30W-OV	Stepped Baffle White w/trim ring	R12P	Albalite, White
		RMS30CLR	Clear Specular Reflector	R13P	Fresnel, White
		RMS30GLD	Gold Specular Reflector	R16P	Drop Opal
		RMS30BLK	Black Reflector	SH16P	Drop Opal Shower, White
		RMS30WHT	White Reflector	PSH16P	Polycarbonate Shower, Drop Opal Lens
		R30B	Anodized Satin Brass Open Trim	PSH16CLR	Polymer Clear Lens
		R30C	Anodized Satin Chrome	SH12ICP	Albalite Shower Light, White
		R30PB	Polished Brass Open Trim	SH16ICP	Drop Opal Shower Light, White
		R30P	White Open Trim	R19P	Black Stepped Baffle
		R30BRN	Brushed Nickel Open Trim		
		HS30CLR	Economy Clear Reflector		
		HS30GLD	Gold Reflector		
		HS30BLK	Black Reflector		
		R18P	White Eyeball		
		R18B	Anodized Satin Brass		
		R18PB	Polished Brass		
		R18BRN	Brushed Nickel Eyeball		

Custom colors are available on select trims. Please see the Decorative Trims link at www.caprilighting.com to download brochure and for further details.

SPECIFICATIONS

1. **Housing** - Pre-painted 22 gauge cold rolled steel. Adjusts vertically in plaster frame to accommodate ceilings 1/2" to 1 1/2" thick. Housing can be pulled through plaster frame for access to junction box. 2" x 6" joist construction. R9 accommodates lamp up to 75 watts, depending on trim used.

2. **Plaster Frame** - Die-stamped 22 gauge galvanized steel, detachable from housing for use as remodel housing, installed through 6 3/4" hole from below ceiling. Accepts BH6 bar hangers on either long or short axis of housing. Also accepts BH3 bar hangers horizontally or vertically on short axis of housing, vertically on long axis of housing.

3. **Socket** - Medium base screw shell porcelain socket, mounted with snap-in clips to adjustable socket holder. Stepless adjustable socket holder, retained by single wingnut, adjusts vertically to accommodate a wide variety of lamp and trim options. Imprinted socket scale for uniform socket positioning.

4. **Bar Hangers** - Pre-installed, patented BH6 SURE-LOK® bar hangers telescope from 16" to 24". Vertical design of interlocking bar hangers prevents sagging even at full 24" extension. BH6 bar hangers may be used on either long or short axis of housing.

5. **Junction Box** - Extra-large 32 cubic inch 16 gauge galvanized steel with two snap-on covers and grounding pigtail. Knockouts for 1/2" and 3/4" conduit and 4 Romex knockouts with strain relief. Meets all safety requirements of UL and the N.E.C.

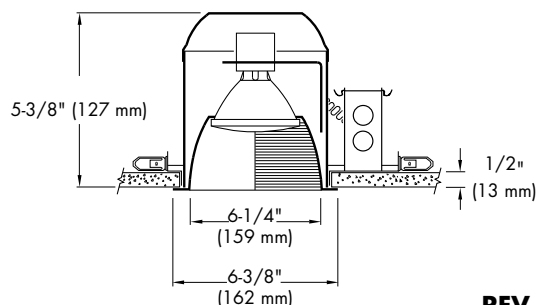
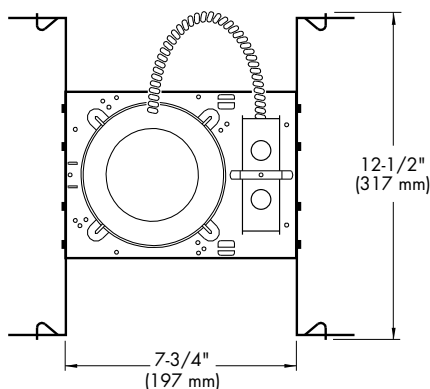
6. **Thermal Protection** - Standard thermal protection device inside housing automatically takes fixture out of service if temperature becomes excessive from contact with insulation, overlampping, or wrong lamp/trim combination.

7. **UL listed** for Damp Locations and Through Branch Wiring, 4 in/4 out.

Accessories (Order separately)

T-Bar Clips, set of fourTC-5
Black Trim RingTRR6BLK
(For use with all Universal trims except RM45 and RMA99.)	
Oversize Trim RingOVI
For 7 3/8" O.D. trims, 8 1/4" O.D. (210 mm)	

DIMENSIONS



REV. 01/08

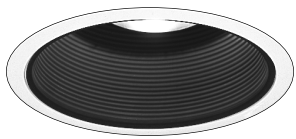
capri
LIGHTING

CAPRI LIGHTING
776 South Green St., Tupelo, MS 38804
Phone 662.842.7212 FAX 662.841.5501
www.caprilighting.com

CANADIAN DIVISION:
189 Bullock Drive, Markham, Ontario, Canada L3P 1W4
Phone 905.294.9570 FAX 800.268.0003

RC1-19

6" TRIMS



RM30 (Shown)
Black Stepped Baffle

RM30W White Stepped Baffle
RM30-OV w/oversize trim ring
RM30W-OV w/oversize trim ring

Bracket Required

7-3/8" O.D. (187 mm)

Housing	Lamp	IC Only	Non IC
R10	PAR30		75W
	R/BR30		75W

PRR75ICX	PAR30	75W (RM30)
	R/BR30	75W

R9	PAR30	75W
	R/BR30	75W
RR9	R/BR30	75W



RMS30CLR (Shown)
Clear Reflector

RMS30GLD Gold Reflector
RMS30BLK Black Reflector
RMS30WHT White Reflector

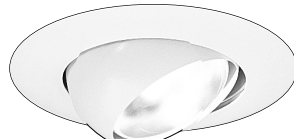
Bracket Required

7-3/8" O.D. (187 mm)

Housing	Lamp	IC Only	Non IC
R10	PAR30		75W
	R/BR30		75W

PRR75ICX	PAR30	75W
	R/BR30	75W

R9	PAR30	75W
	R/BR30	75W
RR9	PAR30	75W



R18P
White Eyeball (shown)

R18B Anodized Satin Brass
R18PB Polished Brass

R18BRN Brushed Nickel

30° Tilt

8" O.D. (203 mm)

Housing	Lamp	IC Only	Non IC
R10	R/BR30		75W

PRR75ICX	R/BR30	75W

R9	R/BR30	75W
RR9		



R30B (Shown)
Anodized Satin Brass Open Trim

R30C Anodized Satin Chrome

R30P White

R30PB Polished Brass

R30BRN Brushed Nickel

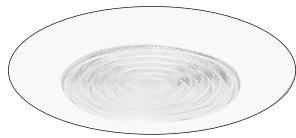
Bracket Required

8" O.D. (203 mm)

Housing	Lamp	IC Only	Non IC
R10	PAR30		75W
	R/BR30		75W

PRR75ICX	R/BR30	75W

R9	PAR30	75W
	R/BR30	75W



R13P
Fresnel, White

Bracket Required

8" O.D. (203 mm)

Housing	Lamp	IC Only	Non IC
R10	A19		60W

R9	A19	60W
RR9		



SH12P (Shown)
Albalite Shower Light, White
PSH12P Polycarbonate Shower Light, Polymer Opal Lens
PSH12CLR Polymer Clear Lens

Bracket Required

8" O.D. (203 mm)

Housing	Lamp	IC Only	Non IC
R10	A19		60W

PRR75ICX	A19	40W(SH12ICP ONLY)

R9	A19	60W
RR9		



SH16P (Shown)
Drop Opal Shower Light, White
PSH16P Polycarbonate Shower Light, Polymer Drop Opal Lens
PSH16CLR Polymer Clear Lens

Bracket Required

8" O.D. (203 mm)

Housing	Lamp	IC Only	Non IC
R10	A19		60W

R9	A19	60W
RR9		

Trims shown here are the most popular choices. For a complete trim offering see sheet numbers RC1-23A & RC1-23B or go to the Capri Trim Gallery at www.caprilighting.com

Custom colors are available on select trims. Please see the Decorative Trims link at www.caprilighting.com to download brochure and for further details.

This product may be covered by one or more of the following U.S. Patents: #4,408,262, #4,703,406, #4,723,747, #4,910,651, #5,057,979. Other U.S. or Foreign Patents may apply.

Capri Lighting reserves the right to make changes without notice. ©2008

RC1-19

CAPRI LIGHTING:
776 South Green St., Tupelo, MS 38804
Phone 662.842.7212 FAX 662.841.5501
www.caprilighting.com

CANADIAN DIVISION:
189 Bullock Drive, Markham, Ontario, Canada L3P 1W4
Phone 905.294.9570 FAX 800.268.0003

capri
LIGHTING