

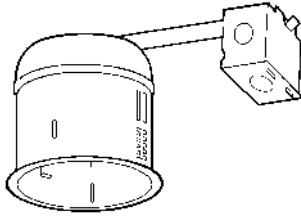
RR9ASIC

6" Shallow Incandescent Recessed Downlight
Remodel - IC Rated/AirSeal™

Catalog Number: _____

Type: _____

Project: _____



Description

Thermally protected recessed housing for use in remodel applications with vertical clearance restrictions. Remodel clips are easily retractable for fixture removal if necessary. Housing ships without socket bracket for use with socket supporting trim only.

Features

- Insulated ceiling applications.
- Pre-installed spring clips which secure the housing firmly into the ceiling.
- Socket attaches directly to the top of trim for precise lamp placement.
- Wide variety of trims.
- AirSeal™ rated to ASTM E238.
- 75 watt maximum.
- cUL listed for damp locations and through branch circuit wiring.



CATALOG SYSTEM AND OPTIONS

SAMPLE CATALOG NUMBER: RR9ASIC-RBS30

Housing

RR9ASIC

Trims

-	RBS30	Shallow Baffle Black
	RBS30W	Shallow Baffle White
	RCS30C	Clear Cone
	RCS30W	White Cone
	RF30SB	Satin Brass Open
	RF30C	Satin Chrome Open
	RF30P	White Open
	RS30W	White Splay
	RS30BRN	Brushed Nickel Splay
	R18P	White Eyeball
	R18PB	Polished Brass Eyeball
	R18BRN	Brushed Nickel Eyeball

General Notes:

See Trims on reverse side of the sheet for lamp compatibility. Custom colors are available on select trims. Please see the Decorative Trims link at www.caprilighting.com to download brochure and for further details.

SPECIFICATIONS

1. **RR9ASIC Housing** - 22 gauge cold rolled steel. For fast installation in existing recessed or mechanical ceilings. Will accommodate ceilings 1/2" to 1-1/4" thick. Accommodates lamps up to 75 watts, depending on trim used. Ceiling opening 6-1/4". Remodel clips are easily retractable for fixture removal if necessary. Junction box is provided with 1/2" conduit knockouts. Fixture is cUL listed for Through-Branch Circuit Wiring and Damp Location use.

2. **Socket** - Medium base screw shell porcelain socket, mounts with snap-in clips to attach to finishing trim.

3. **Junction Box** - Large 27 cubic inch, 16 gauge galvanized steel with snap-on cover and grounding pigtail. Knock-outs for 1/2" and 3/4" conduit. Meets all safety requirements of UL and N.E.C.

4. **Thermal Protection** - Standard thermal protection device inside housing automatically takes the fixture out of service if temperature becomes excessive from overlamp-ing or using the wrong lamp /trim combination.

5. **cUL listed** - for damp locations and through branch 3 in/3 out wiring.

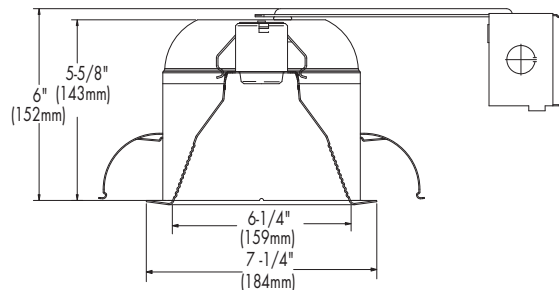
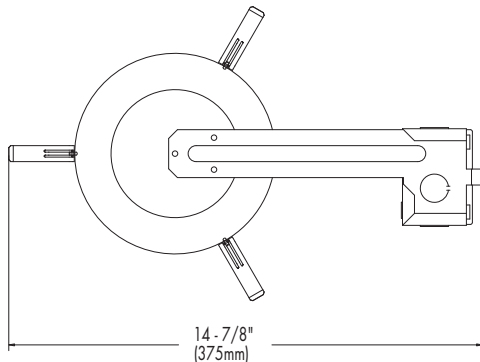
6. **AirSeal™**: Fixture is AirSeal™ rated according to ASTM E283 to no more than 2.0 cubic feet of air per minute at 75 pascals. Fixture meets Washington State Energy Code and Energy Conservation Code.

Accessories (Order separately)

Oversize Trim Ring, O.D. 8" (203mm) **OV2***

*(For use with RBS and RCS trims only.)

DIMENSIONS



REV. 01/08

RR9ASIC - SOCKET SUPPORTING TRIMS



RBS30 (Shown)
Full Shallow Black Baffle

RBS30W
Full Shallow White Baffle

Socket Supporting
7-1/16" O.D. (179 mm)

Housing	Lamp	IC Only	Non IC
R9ASIC	R/BR30	45W	
	PAR30L	75W	



RCS30W (Shown)
Full Shallow White Cone

RCS30C
Full Shallow Clear Cone

Socket Supporting
7-1/16" O.D. (179 mm)

Housing	Lamp	IC Only	Non IC
R9ASIC	R/BR30	45W	
	PAR30L	75W	



RF30SB (Shown)
Satin Brass Open

RF30C
Satin Chrome

RF30W
White
Socket Supporting
8" O.D. (203 mm)

Housing	Lamp	IC Only	Non IC
R9ASIC	PAR30	50W	



RS30W
White Splay

RS30BRN
Brushed Nickel Splay

Socket Supporting
7-1/16" O.D. (179 mm)

Housing	Lamp	IC Only	Non IC
R9ASIC	R/BR30	45W	
	PAR30	50W	



R18P
White Eyeball (shown)

R18PB
Polished Brass Eyeball

R18BRN
Brushed Nickel Eyeball

Socket Supporting
30° Tilt
8" O.D. (203 mm)

Housing	Lamp	IC Only	Non IC
R9ASIC	R/BR30	75W	
	PAR30L	75W	

Custom colors are available on select trims. Please see the Decorative Trims link at www.caprilighting.com to download brochure and for further details.

This product may be covered by one or more of the following U.S. Patents: #4,408,262, #4,703,406, #4,723,747, #4,910,651, #5,057,979. Other U.S. or Foreign Patents may apply.

Capri Lighting reserves the right to make changes without notice. ©2008

RC1-22

CAPRI LIGHTING:
776 South Green St., Tupelo, MS 38804
Phone 662.842.7212 FAX 662.841.5501
www.caprilighting.com

THOMAS LIGHTING CANADA:
189 Bullock Drive, Markham, Ontario, Canada L3P 1W4
Phone 905.294.9570 FAX 800.268.0003
www.thomaslightingcanada.com

capri
LIGHTING