

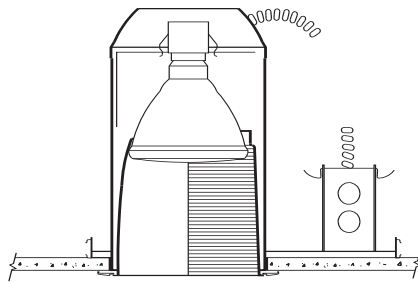
# CIND6\*

## 6" Incandescent Deep Recessed Housing New Construction - Non-IC Rated

Catalog Number: \_\_\_\_\_

Type: \_\_\_\_\_

Project: \_\_\_\_\_



### Description

Thermally protected, deep recessed housing. Provides excellent cutoff with either baffled or reflector trims. Furnished with BH3 flat bar hangers, and adjustable socket mounting plate. U.L. listed for Through-Branch Circuit Wiring and Damp Location use.

### Features

- Housing adjusts vertically in plaster frame to allow for variations in ceiling thickness.
- Pre-installed BH3 27" bar hangers included.
- 150W Maximum
- Thermal protection standard.
- UL Listed for Through-Branch Circuit Wiring and Damp Locations.

## CATALOG SYSTEM AND OPTIONS

SAMPLE CATALOG NUMBER: CIND6-1502

Housing	-	Trims
CIND6	1502	Clear Specular Reflector
	1503	Gold Specular Reflector
	1504	Black Specular Reflector
	1501	Black Grooved Baffle
	1501W	White Grooved Baffle
	1505	Black Grooved Baffle, Wall Wash
	AD150	Black Grooved Baffle, Adjustable

## SPECIFICATIONS

- Housing** - Pre-painted 22 gauge cold rolled steel. Adjusts vertically in plaster frame to accommodate ceilings 1/2" to 1-1/2" thick. Housing can be pulled through plaster frame for access to junction box. 2" x 6" joist construction.
- Plaster Frame** - Die-stamped cold rolled steel deep housing. Accommodates ceiling thicknesses up to 1-1/2". Two 27" BH3 bar hangers are included.
- Socket** - Porcelain socket with copper, nickel-plated screw shell and SF 200°C wire.
- Bar Hangers** - Pre-installed, patented BH3 27" flat-bar hangers telescope from 16" to 24". Vertical design of interlocking bar hangers prevents sagging even at full 24" extension.

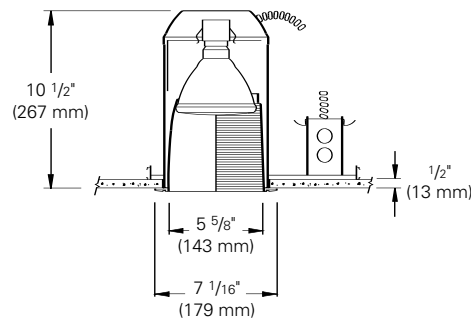
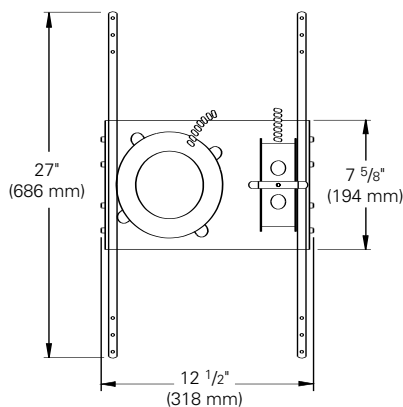
- Wall Wash Scoop** - Precision spun .050 aluminum scoop with black baffle and white bottom plate.
- Reflector** - Precision spun .050 with clear specular finish.
- Baffle** - .040 spun aluminum grooved baffle, matte black.
- Trim Ring** - White polymer.
- Junction Box** - Extra-large 32 cubic inch 16 gauge galvanized steel with two snap-on covers and grounding pigtail. Knockouts for 1/2" and 3/4" conduit and 4 Romex knockouts with strain relief. Meets all safety requirements of U.L. and the N.E.C.
- Thermal Protection** - Standard thermal protection device inside housing automatically takes fixture out of service if temperature becomes excessive from contact with insulation, overlamping, or wrong lamp/trim combination.

- c/UL listed** for Damp Locations and Through Branch Wiring, 4 in/4 out.

### Accessories (Order separately)

Black Trim Ring .....	TRR6BLK
277 Volt Primary .....	AE277

## DIMENSIONS



REV. 09/05

# CIND6 TRIMS



1502 (Shown)  
Clear Specular Cone  
1503  
Gold Specular Cone  
1504  
Black Specular Cone

Housing	Lamp	IC Only	Non IC
CIND6	PAR38 R40		150W 150W



1501 (Shown)  
Black Grooved Baffle  
1501W  
White Grooved Baffle

Housing	Lamp	IC Only	Non IC
CIND6	PAR38 R40		150W 150W



1505 (Shown)  
Black Grooved Baffle, Wall Wash

Housing	Lamp	IC Only	Non IC
R10	R/BR40 PAR38		150W
			120W(RM40W) 100W(RM40)



AD150 (Shown)  
Black Stepped Baffle, Adjustable

Housing	Lamp	IC Only	Non IC
CIND6	PAR38 R40		150W 150W

This product may be covered by one or more of the following U.S. Patents: #4,408,262, #4,703,406, #4,723,747, #4,910,651, #5,057,979. Other U.S. or Foreign Patents may apply.

Capri Lighting reserves the right to make changes without notice. ©2005