

# CPD8PAR30/38

## 8" Pull Down Luminaire

New Construction/Non-IC

Catalog Number: \_\_\_\_\_

Type: \_\_\_\_\_

Project: \_\_\_\_\_



### Description

For new construction. Thermally protected, labor savings recessed housing. Unique pull down bar glides along the sides of the housing to position the recessed head infinitely along its path. Surface tension holds the head securely in place. For all installations, ceiling insulation must be a minimum of three inches from recessed fixture.

### Features

- Housing finished in black polyester powder coat allowing interior of luminaire to disappear in the ceiling.
- 90W Maximum
- Variety of pull down track heads available.
- Thermal protection standard.
- UL Listed for Through-Branch Circuit Wiring .

## CATALOG SYSTEM AND OPTIONS

SAMPLE CATALOG NUMBER: CPD8PAR38WH-RDBWH

Housing	Lamp	Trim Color	Pull Down	Color	Accessories (ordered separately)
CPD8			-		
CPD8 Capri Pull Down	PAR30 PAR38	WH White BK Black SL Silver	RDB Round Back	WH White BK Black SL Silver	BH1 24" Adjustable Bar Hanger (pair) BH3 27" Flat Bar Hanger (pair) CH24 24" C channel (pair)

## SPECIFICATIONS

1. **Mounting Pan** - Precision die-stamped 20 gauge galvanized steel mounting pan is lightweight but strong. Accommodates ceiling materials up to 3/4" thick.

2. **Housing** - Formed 18 gauge steel housing is finished in black polyester powder coat, allowing the interior of the unit to "disappear" in the ceiling.

3. **Pull Down Mechanism** - Unique pull down bar glides along the sides of the housing to position the recessed head infinitely along its path. Surface tension holds the head securely in place.

4. **Pull Down Head** - A variety of recessed heads are available with numerous lamp sources including HID, low-voltage and incandescent. Head rotates 362° horizontally and up to 60° vertically for flexible and accurate aiming. Head recesses completely for downlighting or can be extended out for easy aiming.

5. **Installation** - Housing has pre-installed universal mounting brackets with vertical adjustment. Junction box is accessible from below ceiling. For 26" C-channel hanger bars, specify CH24 accessory, ordered separately. For 27" flat bar hangers, specify BH3 accessory, ordered separately. For 24" adjustable bar hangers, specify BH1 accessory, ordered separately.

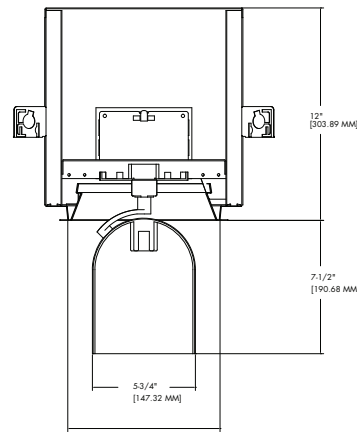
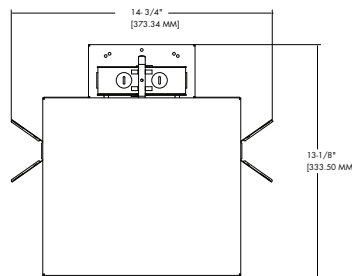
6. **Junction box** - Large 32-cubic inch 16 gauge galvanized steel with snap-on covers and ground wire riveted to frame. Approved for through wiring with up to 8 #12 AWG conductors.

7. **U.L. Listed** - UL 1598 Listed for use in plenum spaces. Approved for through branch circuit wiring. I.B.E.W. union made.

### Accessories (Order separately)

24" Adjustable Bar Hanger (pair) . . . . . **BH1**  
 27" Flat Bar Hanger (pair) . . . . . **BH3**  
 24" C channel (pair) . . . . . **CH24**

## DIMENSIONS



CPD6 - 6-1/2" [165.10 MM]  
 CPD8 - 8-5/8" [217.78MM]



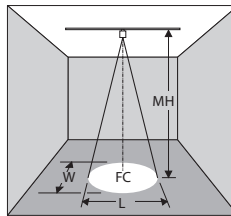
REV. 05/12  
**RC1-38**

# 8" PULL DOWN LUMINAIRE



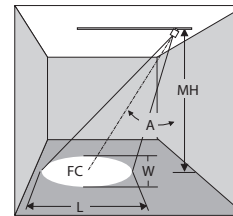
MH	FC	L	W	D	C	CBCP
Distance from the fixture to illuminated surface	Footcandle level at center of beam	Beam length in feet	Beam width in feet	Distance from the fixture to the wall	Distance to the center of the beam from the ceiling	Center beam candlepower

0° Horizontal



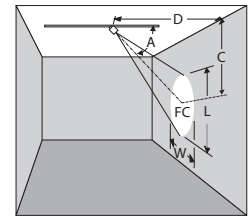
$$FC = CBCP / MH^2$$

30°, 45°, or 60° Horizontal



$$FC = CBCP / MH^2$$

30°, 45°, or 60° Vertical



$$FC = CBCP / D^2$$

## lamp data incandescent

### PAR38 halogen lamps

	BEAM SPREAD	CBCP	RATED LIFE	horizontal aiming angles								vertical aiming angles									
				0°				30°				30°					45°				
				MH	FC	L	W	MH	FC	L	W	D	C	FC	L	W	D	C	FC	L	W
<b>70W</b> PAR38 spot	15°	17800	4000	12	123	3.2	3.2	12	114	4.2	3.6	6	10.4	174	6.7	3.2	6	6.0	491	3.2	2.2
				14	90	3.7	3.7	14	84	4.9	4.3	8	13.9	98	8.9	4.2	8	8.0	276	4.3	3.0
				16	69	4.2	4.2	16	65	5.6	4.9	10	17.3	63	11.1	5.3	10	10.0	177	5.4	3.7
<b>70W</b> PAR38 flood	25°	6170	4000	10	62	4.4	4.4	10	117	6.0	5.1	4	6.9	141	8.3	3.5	4	4.0	398	3.7	2.5
				12	43	5.3	5.3	12	81	7.2	6.1	6	10.4	63	12.5	5.3	6	6.0	177	5.6	3.8
				14	32	6.2	6.2	14	60	8.4	7.2	8	13.9	35	16.6	7.1	8	8.0	99	7.5	5.0
<b>70W</b> PAR38 wide flood	40°	2320	4000	10	50	11.5	11.5	10	32	17.3	13.3	3	5.2	69	**	6.9	3	3.0	196	10.4	4.9
				12	35	13.9	13.9	12	23	20.8	16.0	4	6.9	39	**	9.2	4	4.0	110	13.9	6.5
				14	26	16.2	16.2	14	17	24.2	18.7	5	8.7	25	**	11.5	5	5.0	71	17.3	8.2
<b>90W</b> PAR38 spot	10°	19500	3000	10	195	2.1	2.1	10	78	2.8	2.4	4	6.9	94	3.5	1.7	4	4.0	265	1.7	1.2
				12	135	2.5	2.5	12	54	3.4	2.9	5	8.7	60	10.4	4.4	5	5.0	78	2.1	1.5
				14	99	2.9	2.9	14	40	3.9	3.4	6	10.4	42	5.2	2.5	6	6.0	118	2.6	1.8
<b>90W</b> PAR38 flood	25°	4500	3000	7	73	3.8	3.8	7	48	5.1	4.3	3	5.2	50	8.2	3.2	3	3.0	141	3.5	2.3
				9	44	4.8	4.8	9	29	6.6	5.6	4	6.9	28	10.9	4.3	4	4.0	80	4.6	3.0
				11	30	5.9	5.9	11	19	8.1	6.8	5	8.7	18	13.7	5.4	5	5.0	51	5.8	3.8
<b>90W</b> PAR38 wide flood	40°	2200	3000	9	12	9.4	9.4	9	8	13.7	10.8	3	5.2	13	**	6.2	3	3.0	37	8.6	4.4
				10	10	10.4	10.4	10	6	15.3	12	4	6.9	7	**	8.3	4	4.0	21	11.4	5.9
				11	8	11.5	11.5	11	5	16.8	13.2	5	8.7	5	**	10.4	5	5.0	13	14.3	7.4

Capri Lighting reserves the right to make changes without notice.©2012

RC1-38

CAPRI LIGHTING:  
776 South Green St., Tupelo, MS 38804  
Phone 662.842.7212 FAX 662.841.5501  
www.capriiighting.com

CANADIAN DIVISION:  
189 Bullock Drive, Markham, Ontario, Canada L3P 1W4  
Phone 905.294.9570 FAX 800.268.0003

**PHILIPS**  
capri