

application

- The Philips Capri CR1QP-LED-G2 housing allows the latest in LED technology to be easily installed into the luminaire, and is UL Listed for use with the CRL6K-G2 trim modules. Electrical connection is quick and easy with the integral quick plugs that accept the primary leads from the module driver.

construction

- Housing - Adjusts vertically in plaster frame to accommodate ceilings 1/2" to 1-1/2" thick. Housing can be pulled through plaster frame for access to junction box. Ceiling opening of 6-5/16". Dome constructed of heavy-duty steel.
- Plaster Frame - Die-stamped 22 gauge galvanized steel. Accepts pre-installed pre-nailed BH1 bar hangers vertically on short axis of housing, or vertically on long axis of housing.
- Bar Hangers - Pre-installed QUICK-LOK® BH1 bar hangers telescope from 16" to 25" with breakaway tabs for reduced joist spacing requirements. Bar hanger equipped with heavy-duty fluted nails. Interlocking support tabs provide smooth adjustment on bar hanger.
- Junction Box - Extra-large 32 cubic inch 16 gauge galvanized steel with two snap-on covers and grounding pigtail. Knockouts for 1/2" and 3/4" conduit and 4 Romex knockouts with strain relief. Meets all safety requirements of U.L. and the N.E.C.
- Electrical Connection - Driver leads can be quickly and easily connected to quick plugs provided with the CR1QP-LED-G2. Edison socket adapter on CRL6K-G2 module is easily removed via two wire nuts for high efficacy installation with CR1QP-LED-G2 housing.

labels

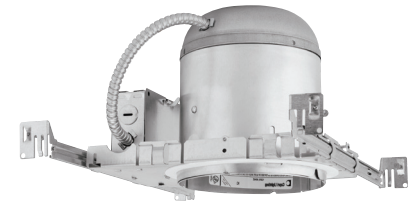
- Labeled for maximum 13W input power. Ideal for compliance to lighting power density(w/ft) applications and CA Title 24.

listings

- IC - Housing is UL Listed for use in direct contact with insulation.
- AirSeal™ - Fixture is AirSeal™ rated preventing the passage of no more than two cubic feet of air per minute through housing. AirSeal™ rated to ASTM E283.
- c/ETL listed for damp locations and through branch circuit wiring, 4 in/4 out.



Housing is intended for use with CRL6K-G2 LED Module. (See spec sheet RC5-6)
LED Module and splay options are sold separately.



Specifier's Reference

Project
Type
Model No.
Comments



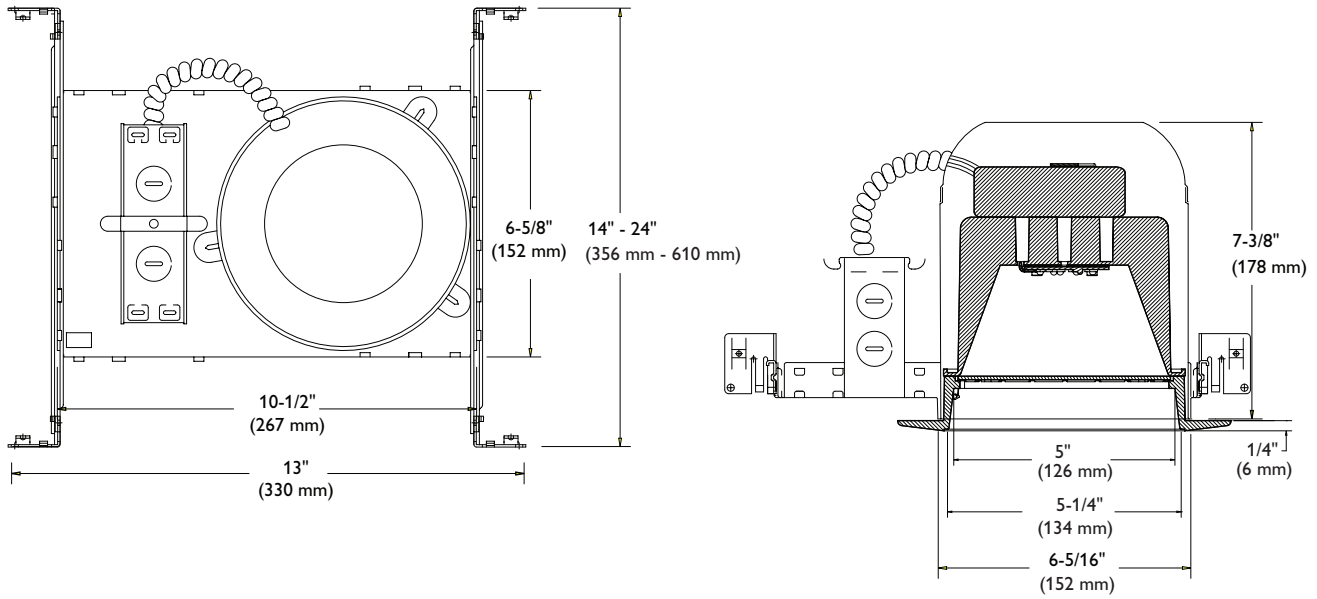
Green Choice: CR1QP-LED-G2

housing

CR1QP-LED-G2

Housing
CR1QP-LED-G2
LED CR1 housing

dimensions



*Dimensions shown with CRL6K-G2 module (sold separately).



©2011 Philips Omega
All rights reserved.

776 South Green Street • Tupelo, MS 38804
p. 800.234.1890 • f. 662.841.5501
www.omegalighting.com
Canadian Division
189 Bullock Drive • Markham, Ontario L3P 1W4
p. 905.294.9570 • f. 905.294.9811

Contact Factory for Additional Configurations.
Specifications are subject to change without notice.
Consult website for latest version of this spec sheet.

Some luminaires use fluorescent or high intensity discharge (HID) lamps that contain small amounts of mercury. Such lamps are labeled, "Contain Mercury" and/or the symbol "HG". Lamps that contain mercury must be disposed of in accordance with local requirements. Information regarding lamp recycling and disposal can be found at www.lamprecycle.org

