

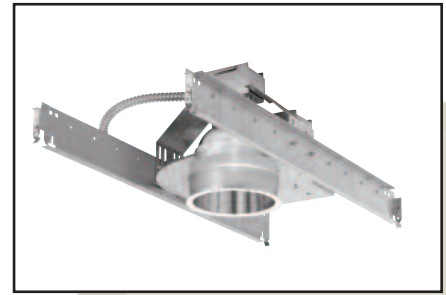
# OM426PLT

## 4" Open Reflector Downlights

CAT. NO:

TYPE:

PROJECT:



### PRODUCT INFORMATION

#### Applications

Small aperture open reflector downlight for use with long-life energy efficient compact fluorescent lamps. Provides uniform light distribution with excellent color rendition. Ideal for lower ceilings and areas requiring long hours of continuous operation such as lobbies, corridors, reception areas and offices.

#### Specifications

1. **Ballast** - One (1) Type 1 Class P, high power factor universal voltage electronic compact fluorescent ballast. Offers 1 lamp operation for 120 through 277 volt input voltage.

	13W 120V	13W 277V	18W 120V	18W 277V	26W 120V	26W 277V
Line current amps	.15	.07	.19	.08	.25	.11
Input watts including ballast loss	18	18	22	22	28	28
Ballast factor	1.00	1.00	1.00	1.00	.98+	.98+
Minimum starting temperature	0°F	0°F	0°F	0°F	0°F	0°F

2. **Mounting pan** - Precision die-stamped 20 gauge bonderized steel mounting pan and yoke assembly.

3. **Installation** - Mounting pan has pre-installed C-channel with vertical and horizontal adjustments. Ballast, junction box and mounting brackets are accessible from below ceiling. For 27" flat bar hanger pair, specify Q1031 accessory, ordered separately.

4. **Reflector** - Precision spun .051 aluminum two piece reflector, self flanged with clear specular Alzak low iridescent finish. Reflector is screw mounted for positive attachment to socket assembly. Standard flat flange is painted white. Optional polished flange matching reflector finish available, add FF to catalog number.

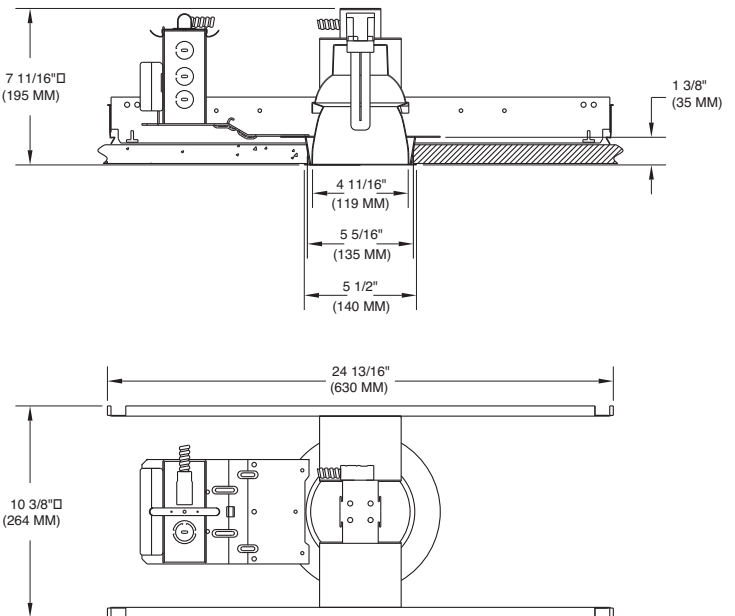
5. **Socket** - One (1) CFM26W/GX24q, One (1) CFM18W/GX24q, One (1) CFQ13W/G24q

6. **Junction box** - Extra large 43.75-cubic inch 16 gauge galvanized steel with snap-on covers. Approved for through wiring with up to 8 #12 AWG conductors.

7. **Optional emergency system** - Emergency system includes battery, electronic circuitry, charger and test/monitor plate with test switch and charging indicator light. Test/monitor plate may be installed in the ceiling near fixture or other remote location. Operates appropriate lamp wattage for a minimum of 90 minutes following power failure. Battery is recharged automatically following restoration of power. Emergency system complies with NFPA life safety code, OSHA and NEC. Suitable for dry locations.

9. **U.L. Listed** - For use in damp locations only and approved for Through Branch Circuit Wiring. I.B.E.W. union made.

☛ Canadian Specifications may vary from these shown, consult Canadian Division.



4

### CATALOG SYSTEM AND OPTIONS

EXAMPLE OF COMPLETE CATALOG NUMBER: **OM426PLT-CS-120/277**

OMEGA Apr.	Lamp (by others)	Reflector Finish	Options	Supply Voltage
OM4	26 PLT - Triple Tube CFL 18 PLT - Triple Tube CFL 13 QPL - Quad CFL	CS Clear Specular CSS Clear Semi-Specular HZ Haze GS Gold Specular WT Wheat PW Pewter BK Black BZ Bronze WH White FF Finish Flange (as suffix to color)	EM Emergency FZ120 Fusing FZ277 Fusing FZ347 Fusing CP Chicago Plenum Q1031 Flat Bar Hangers DL1 Dimming, Lutron Compact SE, 120v DL2 Dimming, Lutron Compact SE, 277v DX1 Dimming, Advance Mark X, 120v DX2 Dimming, Advance Mark X, 277v	120/277 347 *



FIVE YEAR  
Warranty

**OM426PLT-CS**

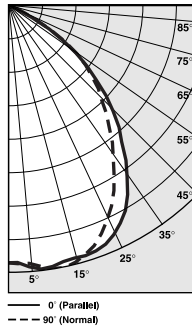
Photometric Data

**Clear Specular Reflector**

Report Number: 22529  
 Lamp: CFM26W  
 Total Lumens: 1800  
 Fixture Efficiency: = 78.7%  
 IES File: F22529.IES  
 S/MH Ratio = 1.3, 1.2  
 Beam Angle: 95.05

LIGHTING PERFORMANCE DATA		
CEILING HEIGHT* (FT.)	INITIAL FOOTCANDLES	BEAM DIAMETER (FT.-IN.)
8	21.9	12-0
9	11.8	16-5
10	7.3	20-9
11	5.0	25-1
12	3.6	29-6

DISTRIBUTION CURVE



DEGREES	CANDELA		FOOT-LAMBERTS
	AT 0°	AT 90°	
90	0	0	
85	6	6	2478
75	6	7	904
65	30	49	3365
55	218	221	13777
45	387	345	18634
35	540	478	
25	652	611	
15	674	685	
5	676	667	
0	663	663	

COEFFICIENTS OF UTILIZATION ZONAL CAVITY METHOD

Effective Floor Cavity Reflectance 0.20

RC	80			70			50		
	50	30	50	30	50	30	50	30	50
0	93	93	91	91	86	86	86	86	86
1	84	81	82	81	80	78	80	78	78
2	76	71	75	70	71	68	71	68	68
3	68	63	67	63	65	60	65	60	60
4	61	56	60	56	58	54	58	54	54
5	56	50	55	50	54	48	54	48	48
6	51	45	50	45	48	44	48	44	44
7	46	40	46	40	45	40	45	40	40
8	42	36	41	36	40	35	40	35	35
9	40	34	39	34	38	33	38	33	33
10	36	30	35	30	35	29	35	29	29

4

**OM418PLT-CS**

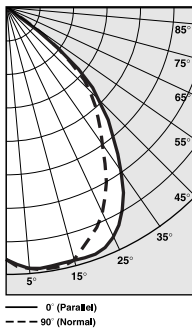
Photometric Data

**Clear Specular Reflector**

Report Number: F22534  
 Lamp: CFM18W  
 Total Lumens: 1250  
 Fixture Efficiency: = 59.5%  
 IES File: F22534.IES  
 S/MH Ratio = 1.3, 1.2  
 Beam Angle: 90.78

LIGHTING PERFORMANCE DATA		
CEILING HEIGHT* (FT.)	INITIAL FOOTCANDLES	BEAM DIAMETER (FT.-IN.)
8	12.6	11-2
9	6.8	15-2
10	4.2	19-3
11	2.9	23-4
12	2.1	27-4

DISTRIBUTION CURVE



DEGREES	CANDELA		FOOT-LAMBERTS
	AT 0°	AT 90°	
90	0	0	
85	5	5	7076
75	5	5	2383
65	7	9	2335
55	59	67	13548
45	200	181	33230
35	304	255	
25	383	344	
15	395	395	
5	395	395	
0	380	380	

COEFFICIENTS OF UTILIZATION ZONAL CAVITY METHOD

Effective Floor Cavity Reflectance 0.20

RC	80			70			50		
	50	30	50	30	50	30	50	30	50
0	70	70	68	68	66	66	66	66	66
1	64	63	63	60	60	58	60	58	58
2	57	55	56	55	55	53	55	53	53
3	53	48	52	48	51	47	51	47	47
4	47	44	47	44	46	42	46	42	42
5	44	40	44	39	41	39	41	39	39
6	40	35	40	35	39	34	39	34	34
7	36	33	36	33	35	32	35	32	32
8	34	29	34	29	33	28	33	28	28
9	32	28	30	27	30	27	30	27	27
10	29	25	28	25	28	25	28	25	25

**OM413QPL-CS**

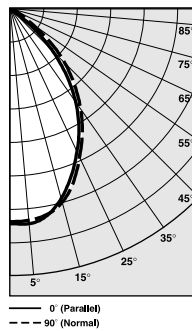
Photometric Data

**Clear Specular Reflector**

Report Number: L442  
 Lamp: CFQ13W  
 Total Lumens: 860  
 Fixture Efficiency: = 49.4%  
 IES File: EY2180.IES  
 S/MH Ratio = 1.0  
 Beam Angle: 71.82

LIGHTING PERFORMANCE DATA		
CEILING HEIGHT* (FT.)	INITIAL FOOTCANDLES	BEAM DIAMETER (FT.-IN.)
8	10.8	7-11
9	7.8	9-4
10	5.8	10-10
11	4.5	12-3
12	3.6	13-9

DISTRIBUTION CURVE



DEGREES	CANDELA		FOOT-LAMBERTS
	AT 0°	AT 90°	
90	0	0	
85	0	0	0
75	0	0	0
65	0	1	24
55	26	24	1143
45	105	114	3783
35	183	185	
25	246	248	
15	305	308	
5	333	327	
0	328	328	

COEFFICIENTS OF UTILIZATION ZONAL CAVITY METHOD

Effective Floor Cavity Reflectance 0.20

RC	80			70			50		
	50	30	50	30	50	30	50	30	50
0	59	59	57	57	55	55	55	55	55
1	54	53	53	52	51	50	51	50	50
2	50	48	49	47	48	46	48	46	46
3	46	44	46	43	44	42	44	42	42
4	43	40	42	39	41	39	41	39	39
5	39	36	39	36	38	35	38	35	35
6	36	33	36	33	35	32	35	32	32
7	33	30	33	30	32	29	32	29	29
8	30	27	30	27	30	27	30	27	27
9	28	24	27	24	27	24	27	24	24
10	25	22	25	22	25	22	25	22	22

\*Readings at working plane, 2'6" above floor. Beam Angle and Diameter Cutoff at 50% of max. Candlepower Coefficients used at effective reflectances of: 70% Ceiling, 50% Walls, 20% Floor

To convert values for optional reflector colors, multiply by:  
 Gold .90      Bronze .82      Pewter .87

Additional photometric test files are available @ [omegalighting.com](http://omegalighting.com)



**OMEGA LIGHTING:**  
 776 South Green St., Tupelo, MS 38804  
 Phone 662.842.7212 FAX 662.841.5501

**CANADIAN DIVISION:**  
 189 Bullock Drive, Markham, Ontario, Canada L3P 1W4  
 Phone 905.294.9570 FAX 800.268.0003