

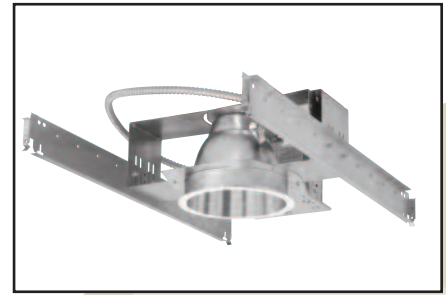
OM6 1H42PLT

6" Open Reflector Horizontal Downlights

CAT. NO:

TYPE:

PROJECT:



PRODUCT INFORMATION

Applications

Small aperture open reflector downlight for use with long-life energy efficient compact fluorescent lamps. Provides medium, uniform light distribution with excellent color rendition. Ideal for areas requiring long hours of continuous operation such as lobbies, corridors, reception areas and offices.

Specifications

1. **Ballast** - One (1) Type 1 Class P, high power factor universal voltage electronic compact fluorescent ballast. Offers 1 lamp operation for 120 through 277 volt input voltage.

	18W 120V	18W 277V	26W 120V	26W 277V	32W 120V	32W 277V	42W 120V	42W 277V
Line current amps	.19	.08	.25	.11	.32	.14	.42	.18
Input watts including ballast loss	22	22	28	28	36	36	48	48
Ballast factor	1.00	1.00	.98+	.98+	1.00	1.00	.98+	.98+
Minimum starting temperature	0°F	0°F	0°F	0°F	0°F	0°F	0°F	0°F

2. **Mounting pan** - Precision die-stamped 16 gauge galvanized steel mounting pan and yoke assembly. Accommodates ceiling materials up to 1-3/8" thick.

3. **Installation** - Mounting pan has pre-installed C-channel with vertical and horizontal adjustments. Ballast, junction box and mounting brackets are accessible from below ceiling. For 27" flat bar hanger pair, specify Q1031 accessory, ordered separately.

4. **Reflector** - Precision spun .050 aluminum one piece reflector, self flanged with clear specular Alzak low iridescent finish. Reflector is screw mounted for positive attachment to socket assembly. Standard flat flange is painted white. Optional polished flange matching reflector finish available, add FF to catalog number.

5. **Baffle** - Precision machined .051 aluminum with deep grooves to minimize aperture glare, anodized matte black or matte white finish. Standard flat flange is painted white. Optional black flange available, add FF to catalog number.

6. **Sockets** - CFM42W/GX24q, CFM32W/GX24q, CFM26W/GX24q, CFM18W/GX24q, horizontally mounted 4 pin plug-in type. Socket assembly rotates 90° to allow for alignment of lamps and reflector within fixture, for design flexibility. (Lamps ordered separately.)

7. **Junction box** - Extra large 43.75-cubic inch 16 gauge galvanized steel with snap-on covers and ground wire riveted to frame. Approved for through wiring with up to 8 #12 AWG conductors.

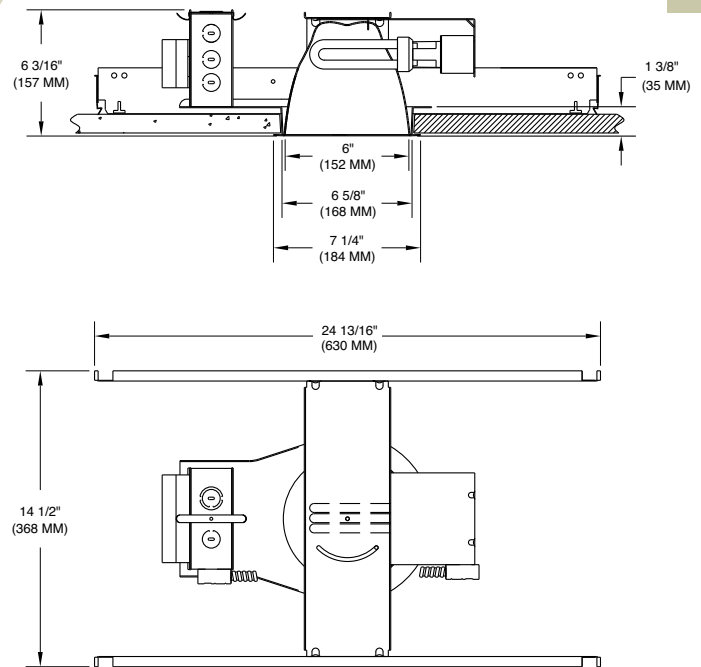
8. **Optional emergency system** - Emergency system includes battery, electronic circuitry, charger and test/monitor plate with test switch and charging indicator light. Test/monitor plate may be installed in the ceiling near fixture or other remote location. Operates appropriate lamp wattage for a minimum of 90 minutes following power failure. Emergency system complies with NFPA life safety code, OSHA and NEC. Suitable for dry locations.

9. **U.L. Listed** - For use in damp locations and approved for Through Branch Circuit Wiring. I.B.E.W. union made.

★ Canadian Specifications may vary from these shown, consult Canadian Division.



6



CATALOG SYSTEM AND OPTIONS

EXAMPLE OF COMPLETE CATALOG NUMBER: **OM61H42PLT-CS-120/277**

OMEGA Apr.	No. of Lamps	Lamps Position	Lamp (by others)	Reflector Option	Finish	Options	Sloped Ceiling Adapter Angle	Supply Voltage
OM6	1	H Horizontal	42 PLT Triple Tube CFL 32 PLT Triple Tube CFL 26 PLT Triple Tube CFL 18 PLT Triple Tube CFL	BB Black Baffle	CS Clear Specular CSS Clear Semi-Specular HZ Haze GS Gold Specular WT Wheat PW Pewter BK Black BZ Bronze WH White FCS Faceted Clear Specular FCSS Faceted Clear Semi Specular FF Finish Flange (as suffix to color)	EM Emergency IE Integral Emergency FZ120 Fusing FZ277 Fusing FZ347 Fusing CP Chicago Plenum Q1031 Flat Bar Hangers SA6 Sloped Ceiling Adpt. DL1 Dimming, Lutron Compact SE, 120v DL2 Dimming, Lutron Compact SE, 277v DX1 Dimming, Advance Mark X, 120v DX2 Dimming, Advance Mark X, 277v CL Clear Lens PL Prismatic Lens FL Fresnel Lens	5 10 15 20 25 30	120/277 347 ★



FIVE YEAR
Warranty

OMEGA LIGHTING: 776 South Green St., Tupelo, MS 38804 Phone 662.842.7212 FAX 662.841.5501

Omega Lighting is a Philips group brand



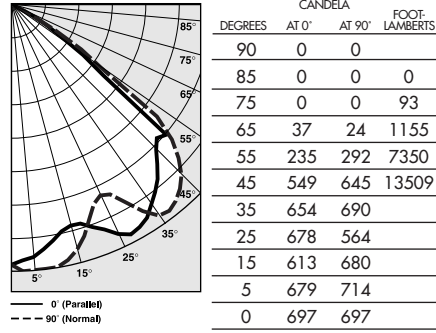
OM61H42PLT-CS Photometric Data

Clear Specular Reflector

Report Number: 20716
 Lamp: (1)CFM42W
 Total Lumens: 3200
 Fixture Efficiency: = 53.9%
 IES File: F20716.IES
 S/MH Ratio = 1.4, 1.5
 Beam Angle: 106.85

LIGHTING PERFORMANCE DATA		
CEILING HEIGHT* (FT.)	INITIAL FOOTCANDLES	BEAM DIAMETER (FT.-IN.)
8	23.0	14-10
10	12.4	20-3
12	7.7	25-7
14	5.3	30-12
16	3.8	36-5

DISTRIBUTION CURVE



COEFFICIENTS OF UTILIZATION ZONAL CAVITY METHOD

Effective Floor Cavity Reflectance 0.20

RC	80			70			50		
	50	30	50	30	50	30	50	30	50
0	64	64	63	63	59	59	59	59	59
1	57	56	56	55	55	53	55	53	53
2	54	48	51	48	48	46	48	46	46
3	46	42	46	42	44	41	44	41	41
4	41	38	40	36	40	36	40	36	36
5	38	33	36	33	35	33	35	33	33
6	34	29	34	28	34	28	33	28	28
7	30	27	30	26	29	26	29	26	26
8	28	23	28	23	27	23	27	23	23
9	26	22	26	22	25	22	25	22	22
10	23	20	23	20	23	20	23	20	20

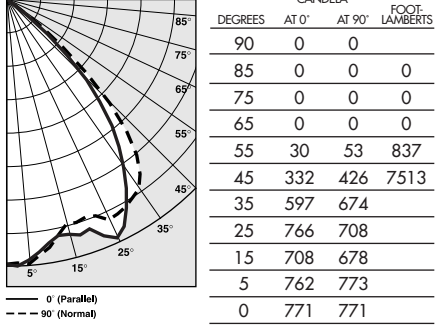
OM61H32PLT-CS Photometric Data

Clear Specular Reflector

Report Number: 21516
 Lamp: (1)CFM32W
 Total Lumens: 2400
 Fixture Efficiency: = 55.9%
 IES File: F 21516.IES
 S/MH Ratio = 1.3, 1.3
 Beam Angle: 89.61

LIGHTING PERFORMANCE DATA		
CEILING HEIGHT* (FT.)	INITIAL FOOTCANDLES	BEAM DIAMETER (FT.-IN.)
8	25.5	10-11
10	13.7	14-11
12	8.5	18-10
14	5.8	22-10
16	4.2	26-10

DISTRIBUTION CURVE



COEFFICIENTS OF UTILIZATION ZONAL CAVITY METHOD

Effective Floor Cavity Reflectance 0.20

RC	80			70			50		
	50	30	50	30	50	30	50	30	50
0	51	51	50	50	48	48	48	48	48
1	47	46	46	45	45	44	45	44	44
2	44	42	43	42	42	40	42	40	40
3	41	38	40	38	39	37	39	37	37
4	38	35	37	35	36	34	36	34	34
5	35	32	34	32	34	31	34	31	31
6	32	30	32	28	31	29	31	29	29
7	30	27	30	27	29	27	29	27	27
8	27	25	27	24	27	24	27	24	24
9	25	22	25	22	24	22	24	22	22
10	23	20	23	20	22	20	22	20	20

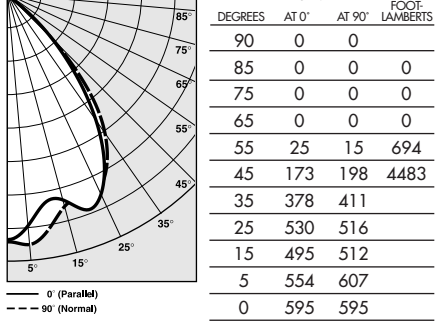
OM61H26PLT-CS Photometric Data

Clear Specular Reflector

Report Number: 2762
 Lamp: (1)CFM26W
 Total Lumens: 1800
 Fixture Efficiency: = 47.5%
 IES File: EY3495.IES
 S/MH Ratio = 1.2, 1.2
 Beam Angle: 80.71

LIGHTING PERFORMANCE DATA		
CEILING HEIGHT* (FT.)	INITIAL FOOTCANDLES	BEAM DIAMETER (FT.-IN.)
8	19.7	9-4
10	10.6	12-8
12	6.6	16-1
14	4.5	19-6
16	3.3	22-11

DISTRIBUTION CURVE



COEFFICIENTS OF UTILIZATION ZONAL CAVITY METHOD

Effective Floor Cavity Reflectance 0.20

RC	80			70			50		
	50	30	50	30	50	30	50	30	50
0	56	56	55	55	52	52	52	52	52
1	52	51	51	50	49	48	49	48	48
2	48	46	47	45	46	44	46	44	44
3	44	42	44	41	43	41	43	41	41
4	41	38	40	38	39	37	39	37	37
5	38	35	37	34	36	34	36	34	34
6	35	32	35	32	34	31	34	31	31
7	32	29	32	29	31	29	31	29	29
8	29	26	29	26	29	26	29	26	26
9	27	24	27	23	26	23	26	23	23
10	25	21	24	21	24	21	24	21	21

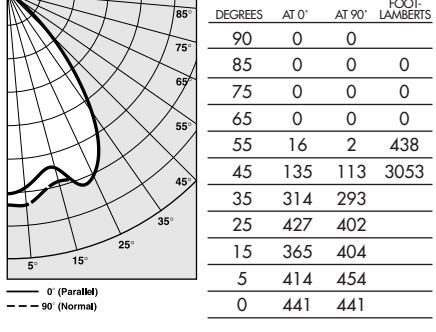
OM61H18PLT-CS Photometric Data

Clear Specular Reflector

Report Number: 2771
 Lamp: (1)CFM18W
 Total Lumens: 1250
 Fixture Efficiency: = 51.4%
 IES File: EY3493.IES
 S/MH Ratio = 1.2, 1.2
 Beam Angle: 80.26

LIGHTING PERFORMANCE DATA		
CEILING HEIGHT* (FT.)	INITIAL FOOTCANDLES	BEAM DIAMETER (FT.-IN.)
8	14.6	9-3
10	7.5	12-7
12	4.9	16-0
14	3.3	19-4
16	2.4	22-9

DISTRIBUTION CURVE



COEFFICIENTS OF UTILIZATION ZONAL CAVITY METHOD

Effective Floor Cavity Reflectance 0.20

RC	80			70			50		
	50	30	50	30	50	30	50	30	50
0	61	61	59	59	57	57	57	57	57
1	56	55	55	54	53	52	53	52	52
2	52	50	51	49	50	48	50	48	48
3	48	46	48	45	46	44	46	44	44
4	45	42	44	41	43	40	43	40	40
5	41	38	41	38	40	37	40	37	37
6	38	35	38	35	37	34	37	34	34
7	35	32	35	32	34	31	34	31	31
8	32	29	32	29	31	28	31	28	28
9	29	26	29	26	29	26	29	26	26
10	27	24	27	23	26	23	26	23	23

*Readings at working plane, 2'6" above floor. Beam Angle and Diameter Cutoff at 50% of max. Candlepower Coefficients used at effective reflectances of: 70% Ceiling, 50% Walls, 20% Floor

To convert values for optional reflector colors, multiply by:
 Gold .90 Bronze .82 Pewter .87

Additional photometric test files are available @ omegalighting.com



OMEGA LIGHTING:
 776 South Green St., Tupelo, MS 38804
 Phone 662.842.7212 FAX 662.841.5501

CANADIAN DIVISION:
 189 Bullock Drive, Markham, Ontario, Canada L3P 1W4
 Phone 905.294.9570 FAX 800.268.0003