

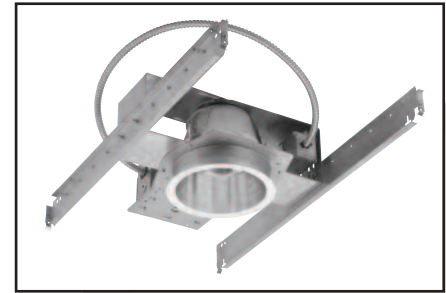
OM6 1H42PLTCSDC

6" Deep Cone Lensed Reflector Horizontal

CAT. NO:

TYPE:

PROJECT:



PRODUCT INFORMATION

Applications

Deep low brightness, parabolic cone provides excellent visual comfort. Lensed downlight with energy efficient compact fluorescent lamps. Variations of this unit are well suited for exterior, food service and medical applications where lamps may be required to be isolated yet maintain the appearance of an open downlight.

Specifications

1. **Ballast** - One (1) Type 1 Class P, high power factor universal voltage electronic compact fluorescent ballast. Offer both 1 or 2 lamp operation for 120 through 277 volt input voltage.

	(2)13W		13W		(1)18W		18W		(1)26W		26W		(1)32W		32W		(1)42W		42W		
	120V	277V	120V	277V	120V	277V	120V	277V	120V	277V	120V	277V	120V	277V	120V	277V	120V	277V	120V	277V	
Line current amps	.27	.12	.19	.08	.25	.11	.32	.14	.41	.18											
Input watts including ballast loss	32	32	22	22	28	28	36	36	48	48											
Ballast factor	.98+	.98+	1.00	1.00	.98+	.98+	1.00	1.00	.98+	.98+											
Minimum starting temperature	0°F	0°F	0°F	0°F	0°F	0°F	0°F	0°F	0°F	0°F											

2. **Mounting pan** - Precision die-stamped 16 gauge galvanized steel mounting pan and yoke assembly. Accommodates ceiling materials up to 1-3/8" thick.

3. **Installation** - Mounting pan has pre-installed C-channel with vertical and horizontal adjustments. Ballast, junction box and mounting brackets are accessible from below ceiling. For 27" flat bar hanger pair, specify Q1031 accessory, ordered separately.

4. **Lensed trim** - Tempered glass, lensed reflector system with clear specular cone. Friction Spring mounting for ease of installation.

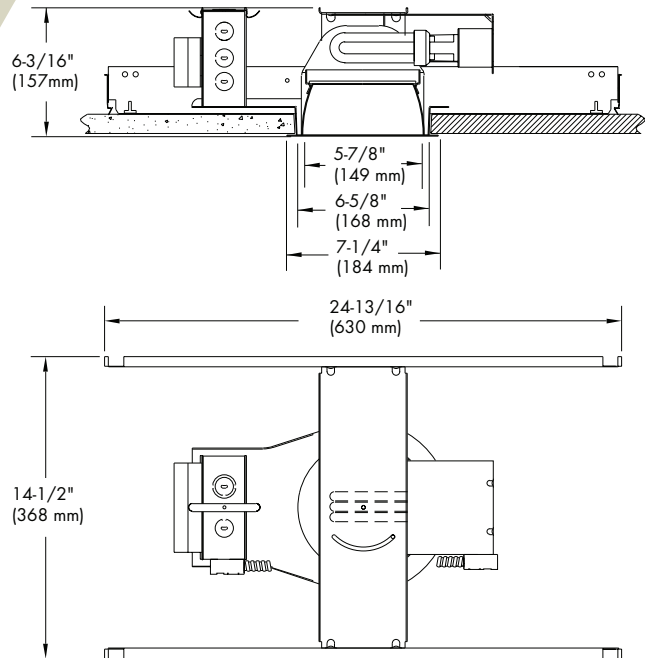
5. **Socket** - CFM42W/GX24q, CFM32W/GX24q, CFM26W/GX24q, CFM18W/GX24q, or CFQ26W/G24q, CFQ18W/G24q, CFQ13W/G24q, horizontally mounted 4 pin plug-in type. Socket assembly rotates 90° to allow for alignment of lamps and reflector within fixture, for design flexibility. (Lamps ordered separately.)

6. **Junction box** - Extra large 43.75-cubic inch 16 gauge galvanized steel with snap-on covers and ground wire riveted to frame. Approved for through wiring with up to 8 #12 AWG conductors.

7. **Optional emergency system** - Emergency system includes battery, electronic circuitry, charger and test/monitor plate with test switch and charging indicator light. Test/monitor plate may be installed in the ceiling near fixture or other remote location. Operates appropriate lamp wattage for a minimum of 90 minutes following power failure. Emergency system complies with NFPA life safety code, OSHA and NEC. Suitable for wet locations and covered ceilings.

8. **U.L. Listed** - For use in wet locations and covered ceilings approved for Through Branch Circuit Wiring. I.B.E.W. union made.

✦ Canadian Specifications may vary from these shown, consult Canadian Division.



6

CATALOG SYSTEM AND OPTIONS

EXAMPLE OF COMPLETE CATALOG NUMBER: **OM61H42PLTCSDC-CL-120/277**

OMEGA Apr.	No. of Lamps	Lamp Position	Lamp (by others)	Reflector Type (required)	Reflector Type	Lens Type (required)	Lens Type	Options	Supply Voltage
OM6	1	H							
	2*	Horizontal	42 PLT Triple Tube CFL 32 PLT Triple Tube CFL 26 PLT Triple Tube CFL 18 PLT Triple Tube CFL	CSDC Clear Specular Deep Cone CSSDC Clear Semi-Specular Deep Cone HZDC Haze Deep Cone FF Finish Flange (As suffix to color)	CL Clear Lens PL Prismatic Lens FL Fresnel Lens POLY Clear Polycarbonate Lens		EM Emergency FZ120 Fusing FZ277 Fusing FZ347 Fusing CP Chicago Plenum Q1031 Flat Bar Hangers SA6 Sloped Ceiling Adpt. DL1 Dimming, Lutron Compact SE, 120v DL2 Dimming, Lutron Compact SE, 277v DX1 Dimming, Advance Mark X, 120v DX2 Dimming, Advance Mark X, 277v	120/277 347 ✦	



FIVE YEAR

Warranty *2 lamp configuration available with QPL lamps only.

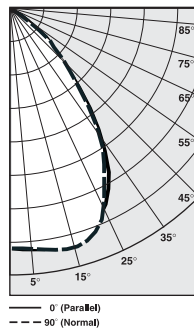
OM61H42PLTCSDC-CL Photometric Data

OMEGA 6" DEEP CONE REFLECTOR W/ CLEAR LENS

Report Number: 24178
 Lamp: (1) CFT42W
 Total Lumens: 3200
 Fixture Efficiency: = 45.6%
 IES File: F 24178.IES
 S/MH Ratio = 1.1, 1.2
 Beam Angle: 76.16

LIGHTING PERFORMANCE DATA		
CEILING HEIGHT* (FT.)	INITIAL FOOTCANDLES	BEAM DIAMETER (FT.-IN.)
8	32.2	8 - 7
10	17.3	11 - 9
12	10.8	14 - 11
14	7.4	18 - 0
16	5.3	21 - 2

DISTRIBUTION CURVE



DEGREES	CANDELA		FOOT-LAMBERTS
	AT 0°	AT 90°	
90	0	0	
85	0	1	92
75	2	2	124
65	12	12	454
55	79	81	2232
45	286	257	6143
35	588	597	
25	862	876	
15	1001	968	
5	981	983	
0	975	975	

COEFFICIENTS OF UTILIZATION ZONAL CAVITY METHOD

Effective Floor Cavity Reflectance 0.20

RC	80			70			50		
	50	30	50	30	50	30	50	30	50
RW	50	30	50	30	50	30	50	30	50
0	54	54	53	53	51	51	51	51	51
1	50	48	48	47	46	46	46	46	46
2	46	44	45	42	42	41	42	41	41
3	41	39	40	39	40	38	40	38	38
4	39	35	38	34	36	34	36	34	34
5	35	32	4	32	34	32	34	32	32
6	33	29	32	28	32	28	32	28	28
7	29	27	29	27	28	27	28	27	27
8	28	25	28	25	27	25	27	25	25
9	26	23	26	23	26	23	26	23	23
10	25	22	23	20	23	20	23	20	20

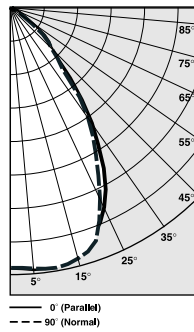
OM61H32PLTCSDC-CL Photometric Data

OMEGA 6" DEEP CONE REFLECTOR W/ CLEAR LENS

Report Number: 24177
 Lamp: (1) CFM32W
 Total Lumens: 2400
 Fixture Efficiency: = 60.4
 IES File: F24177.IES
 S/MH Ratio = 1.0, 1.1
 Beam Angle: 71.45

LIGHTING PERFORMANCE DATA		
CEILING HEIGHT* (FT.)	INITIAL FOOTCANDLES	BEAM DIAMETER (FT.-IN.)
8	36.1	7 - 11
10	19.4	10 - 9
12	12.1	13 - 8
14	8.3	16 - 6
16	6.0	19 - 5

DISTRIBUTION CURVE



DEGREES	CANDELA		FOOT-LAMBERTS
	AT 0°	AT 90°	
90	1	1	
85	1	1	184
75	2	2	124
65	13	14	511
55	63	74	1911
45	239	233	5340
35	562	591	
25	883	924	
15	1089	1058	
5	1099	1102	
0	1092	1092	

COEFFICIENTS OF UTILIZATION ZONAL CAVITY METHOD

Effective Floor Cavity Reflectance 0.20

RC	80			70			50		
	50	30	50	30	50	30	50	30	50
RW	50	30	50	30	50	30	50	30	50
0	71	71	69	69	67	67	67	67	67
1	66	65	65	63	61	61	61	61	61
2	60	57	59	56	57	56	57	56	56
3	56	53	55	52	54	51	54	51	51
4	52	47	51	46	50	46	50	46	46
5	47	44	46	42	46	42	46	42	42
6	44	40	44	40	42	35	42	35	35
7	40	36	40	36	40	35	40	35	35
8	38	34	38	34	36	34	36	34	34
9	35	32	34	32	34	30	34	30	30
10	34	29	33	29	33	28	33	28	28

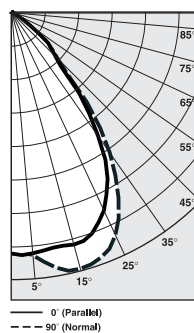
OM62H26QPLCSDC-CL Photometric Data

OMEGA 6" DEEP CONE REFLECTOR W/ CLEAR LENS

Report Number: 24181
 Lamp: (2) CFQ26W
 Total Lumens: 3600
 Fixture Efficiency: = 29.3%
 IES File: F24181.IES
 S/MH Ratio = 1.2, 1.2
 Beam Angle: 78.53

LIGHTING PERFORMANCE DATA		
CEILING HEIGHT* (FT.)	INITIAL FOOTCANDLES	BEAM DIAMETER (FT.-IN.)
8	22.0	8 - 12
10	11.8	12 - 3
12	7.4	15 - 6
14	5.0	18 - 10
16	3.7	22 - 1

DISTRIBUTION CURVE



DEGREES	CANDELA		FOOT-LAMBERTS
	AT 0°	AT 90°	
90	0	1	
85	1	1	184
75	1	1	62
65	9	8	322
55	58	51	1520
45	172	179	3971
35	417	473	
25	604	679	
15	664	733	
5	668	673	
0	666	666	

COEFFICIENTS OF UTILIZATION ZONAL CAVITY METHOD

Effective Floor Cavity Reflectance 0.20

RC	80			70			50		
	50	30	50	30	50	30	50	30	50
RW	50	30	50	30	50	30	50	30	50
0	34	34	34	34	33	33	33	33	33
1	32	30	30	30	29	29	29	29	29
2	28	28	28	28	28	27	28	27	27
3	27	25	27	25	26	23	26	23	23
4	25	23	23	23	23	22	23	22	22
5	23	20	23	20	22	20	22	20	20
6	20	19	20	19	20	19	20	19	19
7	20	17	19	17	19	17	19	17	17
8	17	16	17	16	17	16	17	16	16
9	17	14	17	14	16	14	16	14	14
10	16	14	16	14	14	14	14	14	14

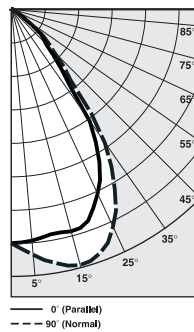
OM62H18QPLCSDC-CL Photometric Data

OMEGA 6" DEEP CONE REFLECTOR W/ CLEAR LENS

Report Number: 24183
 Lamp: (2) CFQ18W
 Total Lumens: 2500
 Fixture Efficiency: = 29.2%
 IES File: F24183.IES
 S/MH Ratio = 1.1, 1.2
 Beam Angle: 75.25

LIGHTING PERFORMANCE DATA		
CEILING HEIGHT* (FT.)	INITIAL FOOTCANDLES	BEAM DIAMETER (FT.-IN.)
8	15.9	8 - 6
10	8.6	11 - 7
12	5.3	14 - 8
14	3.6	17 - 9
16	2.6	20 - 10

DISTRIBUTION CURVE



DEGREES	CANDELA		FOOT-LAMBERTS
	AT 0°	AT 90°	
90	0	0	
85	0	0	0
75	1	1	62
65	6	7	246
55	32	35	934
45	102	125	2568
35	283	337	
25	421	496	
15	474	546	
5	479	507	
0	482	482	

COEFFICIENTS OF UTILIZATION ZONAL CAVITY METHOD

Effective Floor Cavity Reflectance 0.20

RC	80			70			50		
	50	30	50	30	50	30	50	30	50
RW	50	30	50	30	50	30	50	30	50
0	34	34	34	34	32	32	32	32	32
1	32	30	30	30	29	29	29	29	29
2	28	28	28	28	28	27	28	27	27
3	27	25	27	25	26	25	26	25	25
4	25	23	25	23	23	22	23	22	22
5	23	20	23	20	22	20	22	20	20
6	20	19	20	19	20	19	20	19	19
7	20	17	19	17	19	17	19	17	17
8	17	16	17	16	17	16	17	16	16
9	17	14	17	14	17	14	17	14	14
10	16	14	16	14	14	14	14	14	14

*Readings at working plane, 2'6" above floor. Beam Angle and Diameter Cutoff at 50% of max. Candlpower Coefficients used at effective reflectances of: 70% Ceiling, 50% Walls, 20% Floor

To convert values for optional reflector colors, multiply by:
 Gold .90 Bronze .82 Pewter .87

Additional photometric test files are available @ omegalighting.com



OMEGA LIGHTING:
 776 South Green St., Tupelo, MS 38804
 Phone 662.842.7212 FAX 662.841.5501

CANADIAN DIVISION:
 189 Bullock Drive, Markham, Ontario, Canada L3P 1W4
 Phone 905.294.9570 FAX 800.268.0003