

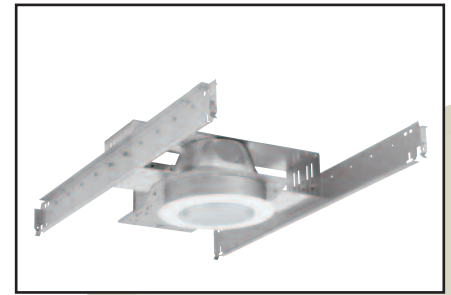
# OM61H42PLTSRDSHWR

## 6" Shallow Recessed Depth Shower Light

CAT. NO:

TYPE:

PROJECT:



### PRODUCT INFORMATION

#### Applications

Special application, nonconductive shower light with shallow recessed depth housing. Lens assembly is a clean, slim profile made of high-impact polycarbonate with diffuse clear optics that allows up to 50% more light per fixture than white polycarbonate diffusers and maintains minimal ceiling brightness. Suited for use in exteriors, institutions and medical facilities.

#### Specifications

1. **Ballast** - One (1) Type 1 Class P, high power factor universal voltage electronic compact fluorescent ballast. Offer both 1 or 2 lamp operation for 120 through 277 volt input voltage.

	(2)13W 120V	13W 277V	(1)18W 120V	18W 277V	(1)26W 120V	26W 277V	(1)32W 120V	32W 277V	(1)42W 120V	42W 277V
Line current amps	.27	.12	.19	.08	.25	.11	.32	.14	.42	.18
Input watts including ballast loss	32	32	22	22	28	28	36	36	48	48
Ballast factor	.98+	.98+	1.00	1.00	.98+	.98+	1.00	1.00	.98+	.98+
Minimum starting temperature	0°F	0°F	0°F	0°F	0°F	0°F	0°F	0°F	0°F	0°F

2. **Housing** - 20 gauge steel housing with integral splice compartment.

3. **Installation** - Mounting pan has pre-installed C-channel with vertical and horizontal adjustments. Ballasts and splice compartment are accessible from below ceiling. For 27" flat bar hanger pair, specify Q1031 accessory, ordered separately.

4. **Shower trim** - A polymer clear, non-conductive, dead front lens with a molded white polycarbonate trim ring.

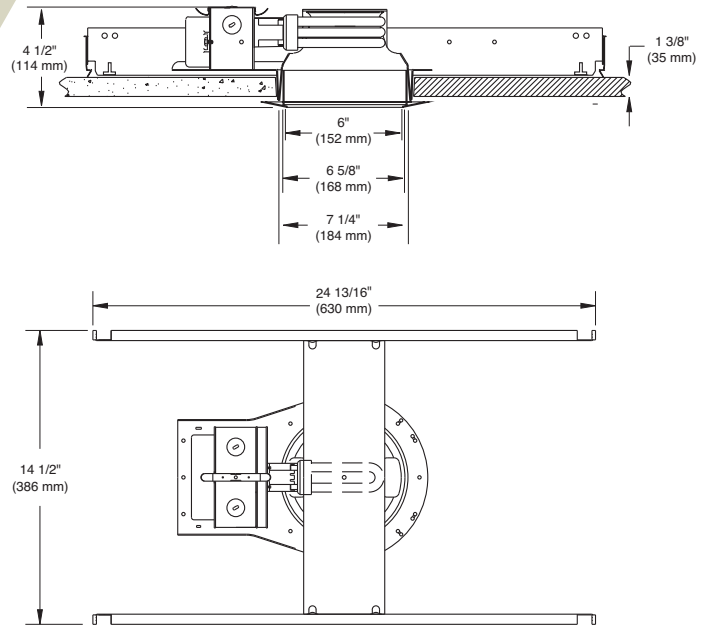
5. **Sockets** - CFM42W/GX24q, CFM32W/GX24q, CFM26W/GX24q, CFM18W/GX24q, CFQ26W/G24q, CFQ18W/G24q, CFQ13W/G24q horizontally mounted, 4 pin plug-in type. Socket assembly rotates 90° to allow for alignment of lamps and reflector within fixture, for design flexibility. (Lamps ordered separately.)

6. **Junction box** - Large 27.56 cubic inch 16 gauge galvanized steel with snap-on cover and ground wire riveted to frame. Approved for through wiring with up to 8 #12 AWG conductors.

7. **Optional emergency system** - Emergency system includes battery, electronic circuitry, charger and test/monitor plate with test switch and charging indicator light. Test/monitor plate may be installed in the ceiling near the fixture or other remote location. Emergency system operates appropriate lamp wattage for a minimum of 90 minutes following power failure. Battery is recharged automatically following restoration of power. Complies with NFPA life safety code, OSHA and NEC. Suitable for dry locations.

8. **U.L. Listed** - For use in wet locations. Approved for Through Branch Circuit Wiring. I.B.E.W. union made.

Canadian Specifications may vary from these shown, consult Canadian Division.



### CATALOG SYSTEM AND OPTIONS

EXAMPLE OF COMPLETE CATALOG NUMBER: **OM61H42PLTSRDSHWR-120/277**

OMEGA Apr.	No. of Lamps	Lamp Position	Lamp (by others)	Reflector Type	Reflector Option	Options	Supply Voltage
OM6	1	H		SRD	SHWR		
	2 <sup>1</sup>	Horizontal	42 PLT Triple Tube CFL 32 PLT Triple Tube CFL 26 PLT Triple Tube CFL 18 PLT Triple Tube CFL  26 QPL Quad CFL 18 QPL Quad CFL 13 QPL Quad CFL	Shallow Recessed Depth	Shower Light with Stippled, Clear Polycarbonate Lens	EM Emergency FZ120 Fusing FZ277 Fusing FZ347 Fusing CP Chicago Plenum Q1031 Flat Bar Hangers SA6 Sloped Ceiling Adpt. DL1 Dimming, Lutron Compact SE, 120v DL2 Dimming, Lutron Compact SE, 277v DX1 Dimming, Advance Mark X, 120v DX2 Dimming, Advance Mark X, 277v	120/277 347 *



FIVE YEAR  
Warranty

1. 2 lamp configuration available with QPL lamps only.

OMEGA LIGHTING: 776 South Green St., Tupelo, MS 38804 Phone 662.842.7212 FAX 662.841.5501

Omega Lighting is a Philips group brand

PHILIPS

6

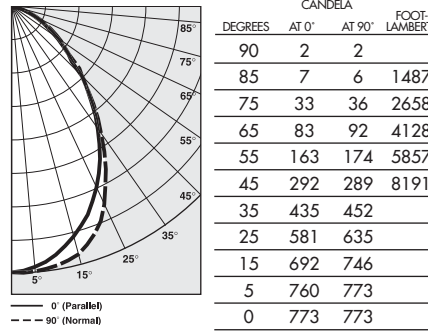
**OM61H42PLTSRDSHWR** Photometric Data

**SHALLOW DEPTH SHOWER LIGHT**

Report Number: 24150  
 Lamp: (1) CFT42W  
 Total Lumens: 3200  
 Fixture Efficiency: = 42.1%  
 IES File: F24150.IES  
 S/MH Ratio = 1.0, 1.1  
 Beam Angle: 77.39

LIGHTING PERFORMANCE DATA		
CEILING HEIGHT* (FT.)	INITIAL FOOTCANDLES	BEAM DIAMETER (FT.-IN.)
8	25.6	8 - 10
10	13.7	12 - 0
12	8.6	15 - 3
14	5.8	18 - 5
16	4.2	21 - 8

DISTRIBUTION CURVE



COEFFICIENTS OF UTILIZATION ZONAL CAVITY METHOD

Effective Floor Cavity Reflectance 0.20

RC	80			70			50		
	RW	50	30	50	30	50	30	50	30
0	50	50		48	48		46	46	
1	45	44		44	42		41	40	
2	40	38		40	36		38	35	
3	35	33		35	33		34	32	
4	33	29		32	28		30	28	
5	29	27		28	26		28	26	
6	27	23		27	23		26	23	
7	25	22		25	22		23	20	
8	23	20		23	20		22	20	
9	20	17		20	17		20	17	
10	20	17		20	17		19	17	

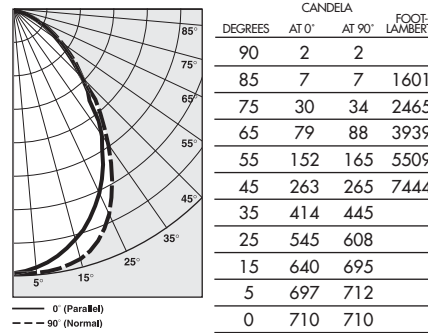
**OM61H32PLTSRDSHWR** Photometric Data

**SHALLOW DEPTH SHOWER LIGHT**

Report Number: 24149  
 Lamp: (1) CFT32W  
 Total Lumens: 2400  
 Fixture Efficiency: = 52.9%  
 IES File: F24149.IES  
 S/MH Ratio = 1.0, 1.1  
 Beam Angle: 79.43

LIGHTING PERFORMANCE DATA		
CEILING HEIGHT* (FT.)	INITIAL FOOTCANDLES	BEAM DIAMETER (FT.-IN.)
8	23.5	9 - 2
10	12.6	12 - 6
12	7.9	15 - 9
14	5.4	19 - 1
16	3.9	22 - 5

DISTRIBUTION CURVE



COEFFICIENTS OF UTILIZATION ZONAL CAVITY METHOD

Effective Floor Cavity Reflectance 0.20

RC	80			70			50		
	RW	50	30	50	30	50	30	50	30
0	63	63		61	61		58	58	
1	56	55		56	54		53	52	
2	51	47		50	46		47	46	
3	46	41		45	41		42	40	
4	40	36		40	36		39	35	
5	38	33		36	33		35	33	
6	34	29		34	29		33	28	
7	32	27		30	27		29	27	
8	28	25		28	25		28	25	
9	27	23		27	23		26	23	
10	25	20		25	20		23	20	

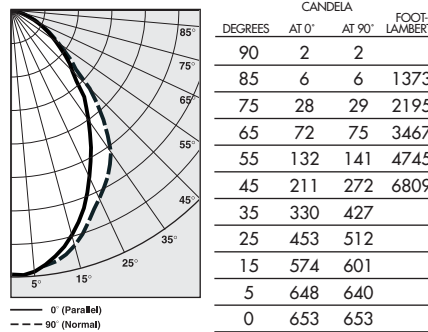
**OM62H26QPLSRDSHWR** Photometric Data

**SHALLOW DEPTH SHOWER LIGHT**

Report Number: 24151  
 Lamp: (2) CFQ26W  
 Total Lumens: 3600  
 Fixture Efficiency: = 31.0%  
 IES File: F24151.IES  
 S/MH Ratio = 1.0, 1.1  
 Beam Angle: 77.99

LIGHTING PERFORMANCE DATA		
CEILING HEIGHT* (FT.)	INITIAL FOOTCANDLES	BEAM DIAMETER (FT.-IN.)
8	21.6	8 - 11
10	11.6	12 - 2
12	7.2	15 - 5
14	4.9	18 - 7
16	3.6	21 - 10

DISTRIBUTION CURVE



COEFFICIENTS OF UTILIZATION ZONAL CAVITY METHOD

Effective Floor Cavity Reflectance 0.20

RC	80			70			50		
	RW	50	30	50	30	50	30	50	30
0	36	36		35	35		34	34	
1	33	32		33	32		30	29	
2	29	28		28	28		28	27	
3	27	25		26	23		25	23	
4	23	22		23	22		23	20	
5	22	20		22	19		20	19	
6	20	17		20	17		19	17	
7	17	16		17	16		17	16	
8	17	14		17	14		16	14	
9	16	13		16	13		14	13	
10	14	11		14	11		14	11	

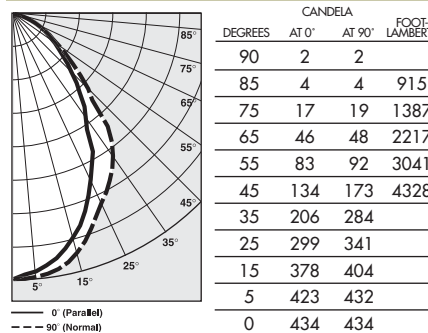
**OM62H18QPLSRDSHWR** Photometric Data

**SHALLOW DEPTH SHOWER LIGHT**

Report Number: 24158  
 Lamp: (2) CFQ18W  
 Total Lumens: 2500  
 Fixture Efficiency: = 29.6%  
 IES File: F24158.IES  
 S/MH Ratio = 0.9, 1.1  
 Beam Angle: 75.03

LIGHTING PERFORMANCE DATA		
CEILING HEIGHT* (FT.)	INITIAL FOOTCANDLES	BEAM DIAMETER (FT.-IN.)
8	14.3	8 - 5
10	7.7	11 - 6
12	4.8	14 - 7
14	3.3	17 - 8
16	2.4	20 - 9

DISTRIBUTION CURVE



COEFFICIENTS OF UTILIZATION ZONAL CAVITY METHOD

Effective Floor Cavity Reflectance 0.20

RC	80			70			50		
	RW	50	30	50	30	50	30	50	30
0	34	34		34	34		34	33	
1	33	32		30	30		29	29	
2	29	28		27	28		26	27	
3	28	26		23	25		23	23	
4	26	23		20	23		20	22	
5	23	20		19	20		19	20	
6	23	19		17	19		17	17	
7	20	17		14	17		14	17	
8	20	16		14	16		14	16	
9	19	14		13	14		13	14	
10	17	14		11	14		11	14	

Additional photometric test files are available @ [omegalighting.com](http://omegalighting.com)