

OM61H42PLTSRDFLD/FLR

6" Decorative Shallow Recessed Depth Downlight

CAT. NO:

TYPE:

PROJECT:

PRODUCT INFORMATION

Applications

A tempered soda lime glass trim features a silk screened center disk with a solid clear outer ring. The trim is placed in a fixed position with brushed aluminum spacers to eliminate direct lamp image. Ideal for use in space with shallow plenum depth.

Specifications

1. **Ballast** - One (1) Type 1 Class P, high power factor universal voltage electronic compact fluorescent ballast. Offer both 1 or 2 lamp operation for 120 through 277 volt input voltage.

	(2)13W		13W		(1)18W		18W		(1)26W		26W		(1)42W		42W	
	120V	277V	120V	277V	120V	277V	120V	277V	120V	277V	120V	277V	120V	277V	120V	277V
Line current amps		.27	.12		.19	.08		.25	.11		.42	.18				
Input watts including ballast loss		32	32		22	22		28	28		48	48				
Power factor		.98+	.98+		1.00	1.00		.98+	.98+		.98+	.98+				
Minimum starting temperature		0°F	0°F		0°F	0°F		0°F	0°F		0°F	0°F				

2. **Mounting pan** - Precision die-stamped 16 gauge galvanized steel mounting pan and yoke assembly. Accommodates ceiling materials up to 1-3/8" thick.

3. **Installation** - Mounting pan has pre-installed C-channel with vertical and horizontal adjustments. Ballasts and splice compartment are accessible from below ceiling. For 27" flat bar hanger pair, specify Q1031 accessory, ordered separately.

4. **Reflector** - Precision spun .050 aluminum one piece reflector, self flanged with clear specular low iridescent Alzak finish. Standard flat flange is polished with matching reflector finish.

5. **Decorative Trim** - Glass: 1/4" thick tempered trim with silk screened ceramic glaze. Perforated: 18 gauge perforated steel ring, powder coated enamel finish with color coordinated rubber edges.

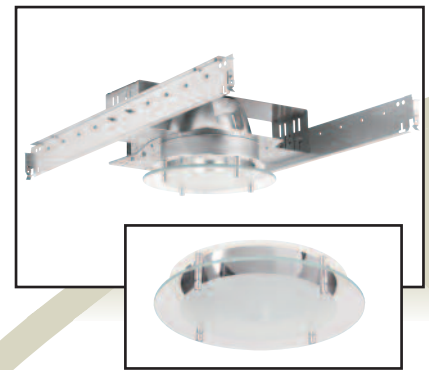
6. **Sockets** - CFM42W/GX24q, CFM32W/GX24q, CFM26W/GX24q, CFM18W/GX24q, CFQ26W/G24q, CFQ18W/G24q, CFQ13W/G24q horizontally mounted, 4 pin plug-in type. Socket assembly rotates 90° to allow for alignment of lamps and reflector within fixture, for design flexibility. (Lamps ordered separately.)

7. **Junction box** - Large 27.56 cubic inch 16 gauge galvanized steel with snap-on cover and ground wire riveted to frame. Approved for through wiring with up to 8 #12 AWG conductors.

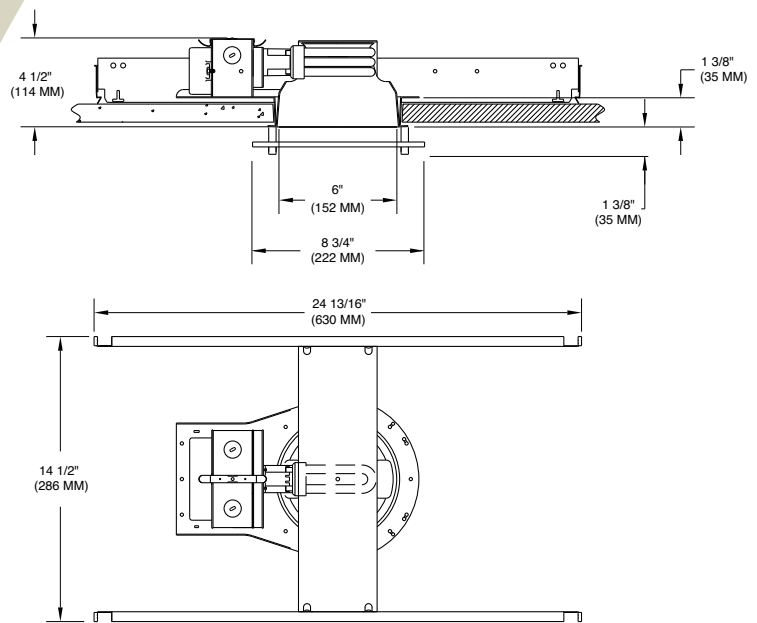
8. **Optional emergency system** - Emergency system includes battery, electronic circuitry, charger and test/monitor plate with test switch and charging indicator light. Test/monitor plate may be installed in the ceiling near the fixture or other remote location. Emergency system operates appropriate lamp wattage for a minimum of 90 minutes following power failure. Battery is recharged automatically following restoration of power. Complies with NFPA life safety code, OSHA and NEC. Suitable for dry locations.

9. **U.L. Listed** - For use in damp locations and approved for Through Branch Circuit Wiring. I.B.E.W. union made.

Canadian Specifications may vary from these shown, consult Canadian Division.



6



CATALOG SYSTEM AND OPTIONS

EXAMPLE OF COMPLETE CATALOG NUMBER: **OM61H42PLTSRDFLD-CSFF-120/277**

OMEGA Apr.	No. of Lamps	Lamps Position	Lamp (by others)	Fixture Type	Trim Type (required)	Reflector Finish	Options	Supply Voltage
OM6	1	H		SRD				
	2	Horizontal	42 PLT Triple Tube CFL 32 PLT Triple Tube CFL 26 PLT Triple Tube CFL 18 PLT Triple Tube CFL	Shallow Recessed Depth	FLD Floating Luminous Disk FLR Floating Luminous Ring	CSFF Clear Specular Finish Flange CSSFF Clear Semi-Specular Finish Flange HZFF Haze Finish Flange	EM Emergency FZ120 Fusing FZ277 Fusing FZ347 Fusing CP Chicago Plenum Q1031 Flat Bar Hangers SA6 Sloped Ceiling Adpt. DL1 Dimming, Lutron Compact SE, 120v DL2 Dimming, Lutron Compact SE, 277v DX1 Dimming, Advance Mark X, 120v DX2 Dimming, Advance Mark X, 277v	120/277 347 *
			26 QPL Quad CFL 18 QPL Quad CFL 13 QPL Quad CFL					



FIVE YEAR

Warranty 1. 2 lamp configuration available with QPL lamps only.

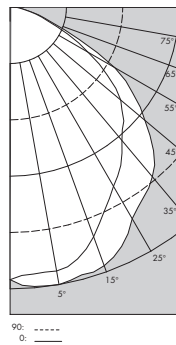
OM61H32PLTSRDFLD-CSFF Photometric Data

Decorative Shallow Recessed Depth Downlight with Floating Luminous Disk

Report Number: 21563
 Lamp: (1) CFM32W
 Total Lumens: 2400
 Fixture Efficiency: = 46.6%
 IES File: F21563.IES
 S/MH Ratio = 1.1, 1.3
 Beam Angle: 110.66

LIGHTING PERFORMANCE DATA		
CEILING HEIGHT* (FT.)	INITIAL FOOTCANDLES	BEAM DIAMETER (FT.-IN.)
8	13.7	15-11
10	7.4	21-8
12	4.6	27-6
14	3.1	33-3
16	2.3	39-0

DISTRIBUTION CURVE



DEGREES	CANDELA		FOOT-LAMBERTS
	AT 0°	AT 90°	
90	3	3	
85	14	14	2570
75	41	45	2658
65	97	116	4032
55	181	228	5705
45	245	309	6268
35	294	354	
25	341	402	
15	397	422	
5	408	427	
0	415	415	

COEFFICIENTS OF UTILIZATION ZONAL CAVITY METHOD

Effective Floor Cavity Reflectance 0.20

RC	80		70		50	
	50	30	50	30	50	30
RW	55	55	54	54	52	52
0	48	46	47	46	46	45
1	42	40	41	40	40	38
2	38	34	36	34	35	33
3	34	29	33	29	32	28
4	29	26	29	26	28	26
5	27	23	27	23	26	23
6	25	20	23	20	23	20
7	23	19	22	19	22	17
8	20	17	20	17	20	17
9	19	16	19	14	17	14
10						

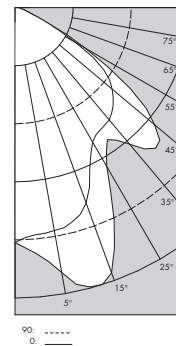
OM61H32PLTSRDFLR-CSFF Photometric Data

Decorative Shallow Recessed Depth Downlight with Floating Luminous Ring

Report Number: 21565
 Lamp: (1) CFM32W
 Total Lumens: 2400
 Fixture Efficiency: = 58.3%
 IES File: F21563.IES
 S/MH Ratio = 1.0, 1.2
 Beam Angle: 110.63

LIGHTING PERFORMANCE DATA		
CEILING HEIGHT* (FT.)	INITIAL FOOTCANDLES	BEAM DIAMETER (FT.-IN.)
8	18.1	15-11
10	9.7	21-8
12	6.1	27-5
14	4.1	33-3
16	3.0	39-0

DISTRIBUTION CURVE



DEGREES	CANDELA		FOOT-LAMBERTS
	AT 0°	AT 90°	
90	2	2	
85	10	10	1836
75	24	25	1515
65	83	83	3142
55	252	326	8062
45	323	463	8893
35	347	375	
25	412	546	
15	516	673	
5	531	575	
0	547	547	

COEFFICIENTS OF UTILIZATION ZONAL CAVITY METHOD

Effective Floor Cavity Reflectance 0.20

RC	80		70		50	
	50	30	50	30	50	30
RW	68	68	68	68	65	65
0	61	59	60	58	57	56
1	55	52	54	51	52	48
2	48	45	47	44	46	42
3	44	39	42	39	41	38
4	39	34	39	34	36	33
5	34	30	34	29	34	29
6	32	27	32	27	30	27
7	28	25	28	23	28	23
8	27	22	27	22	26	22
9	25	20	25	20	23	20
10						

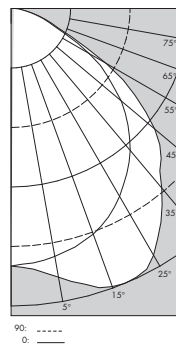
OM62H26QPLSRDFLD-CSFF Photometric Data

Decorative Shallow Recessed Depth Downlight with Floating Luminous Disk

Report Number: 21569
 Lamp: (2)CFQ26W
 Total Lumens: 3600
 Fixture Efficiency: = 38.8%
 IES File: F21569.IES
 S/MH Ratio = 1.2, 1.5
 Beam Angle: 111.54

LIGHTING PERFORMANCE DATA		
CEILING HEIGHT* (FT.)	INITIAL FOOTCANDLES	BEAM DIAMETER (FT.-IN.)
8	16.2	16-2
10	8.7	22-1
12	5.4	27.11
14	3.7	33-10
16	2.7	39-8

DISTRIBUTION CURVE



DEGREES	CANDELA		FOOT-LAMBERTS
	AT 0°	AT 90°	
90	6	5	
85	17	16	10378
75	51	54	11120
65	112	126	15436
55	223	287	24372
45	314	403	27794
35	383	496	
25	437	563	
15	469	542	
5	485	497	
0	489	489	

COEFFICIENTS OF UTILIZATION ZONAL CAVITY METHOD

Effective Floor Cavity Reflectance 0.20

RC	80		70		50	
	50	30	50	30	50	30
RW	46	46	45	45	42	42
0	40	39	40	39	38	36
1	35	34	34	33	34	32
2	32	28	30	28	29	28
3	28	25	28	25	27	23
4	26	22	25	22	23	22
5	23	20	23	19	22	19
6	20	17	20	17	20	17
7	19	16	19	16	17	14
8	17	14	17	14	17	14
9	16	13	16	13	16	13
10						

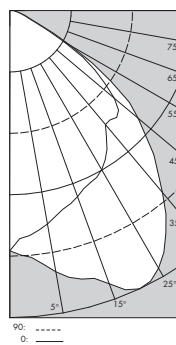
OM62H26QPLSRDFLR-CSFF Photometric Data

Decorative Shallow Recessed Depth Downlight with Floating Luminous Ring

Report Number: 21567
 Lamp: (2)CFQ26W
 Total Lumens: 3600
 Fixture Efficiency: = 43.8%
 IES File: F21567.IES
 S/MH Ratio = 1.1, 1.6
 Beam Angle: 108.16

LIGHTING PERFORMANCE DATA		
CEILING HEIGHT* (FT.)	INITIAL FOOTCANDLES	BEAM DIAMETER (FT.-IN.)
8	20.0	15-2
10	10.7	20-0
12	6.7	26-3
14	4.6	31-9
16	3.3	37-3

DISTRIBUTION CURVE



DEGREES	CANDELA		FOOT-LAMBERTS
	AT 0°	AT 90°	
90	4	4	
85	11	11	2019
75	2	30	1793
65	72	81	2896
55	262	311	7992
45	380	512	10092
35	426	684	
25	478	772	
15	517	699	
5	568	623	
0	604	604	

COEFFICIENTS OF UTILIZATION ZONAL CAVITY METHOD

Effective Floor Cavity Reflectance 0.20

RC	80		70		50	
	50	30	50	30	50	30
RW	52	52	51	51	48	48
0	46	45	46	44	44	42
1	41	39	40	38	39	36
2	36	34	35	34	34	33
3	33	29	33	28	32	28
4	29	26	28	26	28	26
5	27	23	27	23	26	23
6	25	20	23	20	23	20
7	22	19	22	19	22	19
8	20	17	20	17	20	17
9	19	16	19	16	17	14
10						

*Readings at working plane, 2'6" above floor. Beam Angle and Diameter Cutoff at 50% of max. To convert val-

ues for optional reflector colors, multiply by:

Candlepower Coefficients used at effective reflectances of: 70% Ceiling, 50% Walls, 20% Floor

Gold .90

Bronze .82

Pewter .87

Additional photometric test files are available @ omegalighting.com