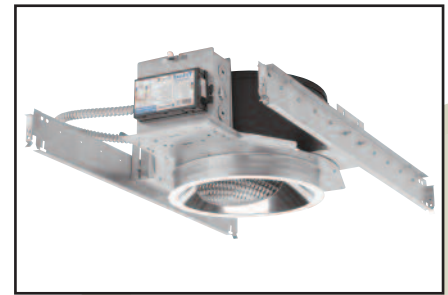


OM61H42PLTLWW

6" Lensed Wall Washer

CAT. NO:

TYPE: **PROJECT:**



PRODUCT INFORMATION

Applications

Interior or exterior recessed lensed wall washer for uniform illumination or grazing of vertical surfaces such as walls, draperies, murals, and textured surfaces. Spread lens smooth the beam distribution and conceals the light source from view. Low brightness reflector matches other 6" aperture downlights from Omega.

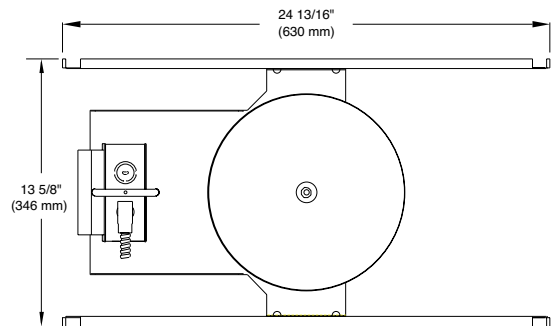
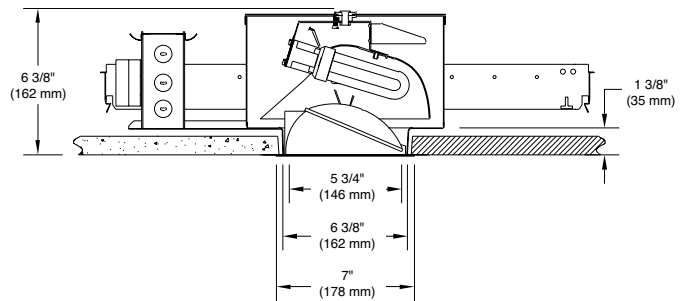
Specifications

1. **Ballast** - One (1) Type 1 Class P, high power factor universal voltage electronic compact fluorescent ballast. Offer both 1 or 2 lamp operation for 120 through 277 volt input voltage

	(2)13W13W 120V 277V	(2)18W18W 120V 277V	(2)26W 26W 120V 277V	(1)32W 32W 120V 277V	(1)42W 42W 120V 277V
Line current amps	.27 .12	.34 .15	.49 .21	.32 .14	.42 .18
Input watts, inc. ballast loss	32 32	40 40	56 56	36 36	48 48
Ballast Factor	.98 .98	.98+ .98+	.98+ .98+	1.00 1.00	.98 .98
Min. starting temp.	0°F 0°F	0°F 0°F	0°F 0°F	0°F 0°F	0°F 0°F

- Mounting pan** - Precision die-formed 20 gauge bonderized steel mounting pan.
- Housing** - Housing of 20 gauge bonderized steel, matte black finish, rotates 358° with mechanical locking.
- Installation** - Mounting pan has pre-installed C-channel with vertical and horizontal adjustments. Junction box and mounting brackets are accessible from below ceiling. Allow 2" above unit for servicing from below.
- Trim** - Precision spun .051 aluminum, self flanged with clear specular finish. Standard flat flange is painted white. Optional polished flange matching trim finish available, add FF to catalog number.
- Reflector** - Specular clear reflector directs light to the vertical surface.
- Spread lens** - Spread lens of heat resistant borosilicate glass.
- Sockets** - CFM42W/GX24q, CFM32W/GX24q, CFM26W/GX24q, CFM18W/GX24q, CFQ26W/G24q, CFQ18W/G24q.
- Junction box** - Extra large 43.75-cubic inch 16 gauge galvanized steel with snap-on covers. Approved for through wiring with up to 8 #12 AWG conductors.
- Optional emergency system** - Emergency system includes battery, electronic circuitry, charger, and test/monitor plate with test switch and charging indicator light. Test monitor plate may be installed in the ceiling near the fixture or other remote location. Operates one lamp for a minimum of 90 minutes following power failure. Battery is recharged automatically following restoration of power. Emergency system complies with NFPA life safety code, OSHA and NEC. Suitable for dry locations.
- U.L. Listed** - For use in wet locations and approved for Through Branch Circuit Wiring. I.B.E.W. union made.

♣ Canadian Specifications may vary from these shown, consult Canadian Division.



6

CATALOG SYSTEM AND OPTIONS

EXAMPLE OF COMPLETE CATALOG NUMBER: **OM61H42PLTLWW-CS-120/277**

OMEGA Apr.	No. of Lamps	Lamps Position	Lamp (by others)	Reflector Type	Reflector Finish	Options	Supply Voltage
OM6	1 2 ¹	H Horizontal	42 PLT - Triple Tube CFL 32 PLT - Triple Tube CFL 26 PLT - Triple Tube CFL 18 PLT - Triple Tube CFL 26 QPL - Quad CFL 18 QPL - Quad CFL 13 QPL - Quad CFL	LWW Lensed Wall Wash	CS Clear Specular CSS Clear Semi-Specular HZ Haze GS Gold Specular WT Wheat PW Pewter BK Black BZ Bronze WH White FF Finish Flange (as suffix to color)	EM Emergency FZ120 Fusing FZ277 Fusing FZ347 Fusing CP Chicago Plenum Q1031 Flat Bar Hangers SA6 Sloped Ceiling Adpt. DL1 Dimming, Lutron Compact SE, 120v DL2 Dimming, Lutron Compact SE, 277v DX1 Dimming, Advance Mark X, 120v DX2 Dimming, Advance Mark X, 277v	120/277 347 ♣



**FIVE YEAR
Warranty**

1. 2 lamp configuration available with QPL lamps only.

OMEGA LIGHTING: 776 South Green St., Tupelo, MS 38804 Phone 662.842.7212 FAX 662.841.5501

Omega Lighting is a Philips group brand

PHILIPS

OM61H42PLTLWW-CS Photometric Data

Wall Washer Lensed with Clear Reflector

Source: Compact Fluorescent
 Lamp: (1) CFM42W
 Reflectances: 80% ceiling, 50% walls, 20% floor
 Maintenance Factor: 1.0
 IES File: F23376.IES

Distance from ceiling (ft)	2'5" from wall, 2'5" on center		2'5" from wall, 3' on center		3' from wall, 3' on center		3' from wall, 4' on center	
	Below Fixtures	Between Fixtures	Below Fixtures	Between Fixtures	Below Fixtures	Between Fixtures	Below Fixtures	Between Fixtures
1	6.4	6.3	5.9	5.8	6.4	6.5	5.35	5.49
2	7.6	7.5	6.9	6.7	7.5	7.6	6.18	6.32
3	9.3	9.1	8.9	8.1	8.9	9.1	7.27	7.39
4	11.9	11.6	10.5	10.3	11.0	11.2	8.82	8.92
5	15.5	15.2	13.5	13.3	13.7	13.9	10.81	10.79
6	20.3	20.0	17.2	17.2	16.5	16.6	13.15	12.42
7	24.7	24.8	20.4	21.4	18.3	17.9	14.94	12.83
8	23.5	25.1	18.6	22.3	16.0	14.3	13.60	9.56
9	10.5	12.4	8.2	10.9	6.4	5.7	5.70	3.75

OM61H32PLTLWW-CS Photometric Data

Wall Washer Lensed with Clear Reflector

Source: Compact Fluorescent
 Lamp: (1) CFM32W
 Reflectances: 80% ceiling, 50% walls, 20% floor
 Maintenance Factor: 1.0
 IES File: F23375.IES

Distance from ceiling (ft)	2'5" from wall, 2'5" on center		2'5" from wall, 3' on center		3' from wall, 3' on center		3' from wall, 4' on center	
	Below Fixtures	Between Fixtures	Below Fixtures	Between Fixtures	Below Fixtures	Between Fixtures	Below Fixtures	Between Fixtures
1	5.6	5.6	5.1	5.2	5.7	5.8	4.78	4.92
2	6.6	6.7	6.0	6.1	6.7	6.8	5.56	5.69
3	8.2	8.3	7.3	7.5	8.0	8.3	6.61	6.71
4	10.5	10.8	9.3	9.6	10.0	10.3	8.09	8.18
5	14.0	14.3	12.2	12.4	12.7	12.9	10.02	10.01
6	18.6	18.8	16.0	16.0	15.5	15.6	12.33	11.68
7	23.4	23.3	20.2	19.3	17.4	16.9	14.16	12.16
8	23.9	22.3	21.2	17.7	15.1	13.6	12.86	8.97
9	11.4	9.7	10.1	7.4	5.9	5.1	5.32	3.20

OM62H26QPLLWW-CS Photometric Data

Wall Washer Lensed with Clear Reflector

Source: Compact Fluorescent
 Lamp: (1) CFQ26W
 Reflectances: 80% ceiling, 50% walls, 20% floor
 Maintenance Factor: 1.0
 IES File: F23378.IES

Distance from ceiling (ft)	2'5" from wall, 2'5" on center		2'5" from wall, 3' on center		3' from wall, 3' on center		3' from wall, 4' on center	
	Below Fixtures	Between Fixtures	Below Fixtures	Between Fixtures	Below Fixtures	Between Fixtures	Below Fixtures	Between Fixtures
1	4.9	4.9	4.46	4.55	4.97	5.05	4.17	4.28
2	5.8	5.9	5.23	5.34	5.81	5.94	4.84	4.93
3	7.1	7.2	6.35	6.48	6.94	7.13	5.72	5.78
4	9.1	9.3	8.09	8.22	8.65	8.81	6.98	7.01
5	12.0	12.2	10.50	10.61	10.85	10.95	8.60	8.50
6	15.9	16.0	13.66	13.60	13.11	13.19	10.53	9.81
7	19.8	19.6	17.18	16.22	14.75	14.37	12.00	10.28
8	20.2	19.1	17.95	15.10	12.87	11.65	10.99	7.64
9	10.3	8.6	9.31	6.47	5.37	4.52	4.97	2.74

OM62H18QPLLWW-CS Photometric Data

Wall Washer Lensed with Clear Reflector

Source: Compact Fluorescent
 Lamp: (1) CFQ18W
 Reflectances: 80% ceiling, 50% walls, 20% floor
 Maintenance Factor: 1.0
 IES File: F23380.IES

Distance from ceiling (ft)	2'5" from wall, 2'5" on center		2'5" from wall, 3' on center		3' from wall, 3' on center		3' from wall, 4' on center	
	Below Fixtures	Between Fixtures	Below Fixtures	Between Fixtures	Below Fixtures	Between Fixtures	Below Fixtures	Between Fixtures
1	3.44	3.47	3.14	3.20	3.49	3.53	2.94	3.00
2	4.07	4.11	3.67	3.74	4.06	4.13	3.39	3.44
3	4.98	5.04	4.45	4.52	4.83	4.94	3.98	4.02
4	6.34	6.46	5.64	5.71	5.97	6.08	4.82	4.84
5	8.28	8.43	7.24	7.32	7.41	7.46	5.88	5.80
6	10.81	10.86	9.32	9.23	8.84	8.80	7.08	6.62
7	13.24	13.03	11.43	10.85	9.71	9.44	7.84	6.81
8	13.09	12.26	11.57	9.83	8.24	7.55	6.89	5.14
9	6.70	5.84	6.00	4.50	3.62	3.12	3.35	1.90

Additional photometric test files are available @ omegalighting.com



OMEGA LIGHTING:
 776 South Green St., Tupelo, MS 38804
 Phone 662.842.7212 FAX 662.841.5501

CANADIAN DIVISION:
 189 Bullock Drive, Markham, Ontario, Canada L3P 1W4
 Phone 905.294.9570 FAX 800.268.0003